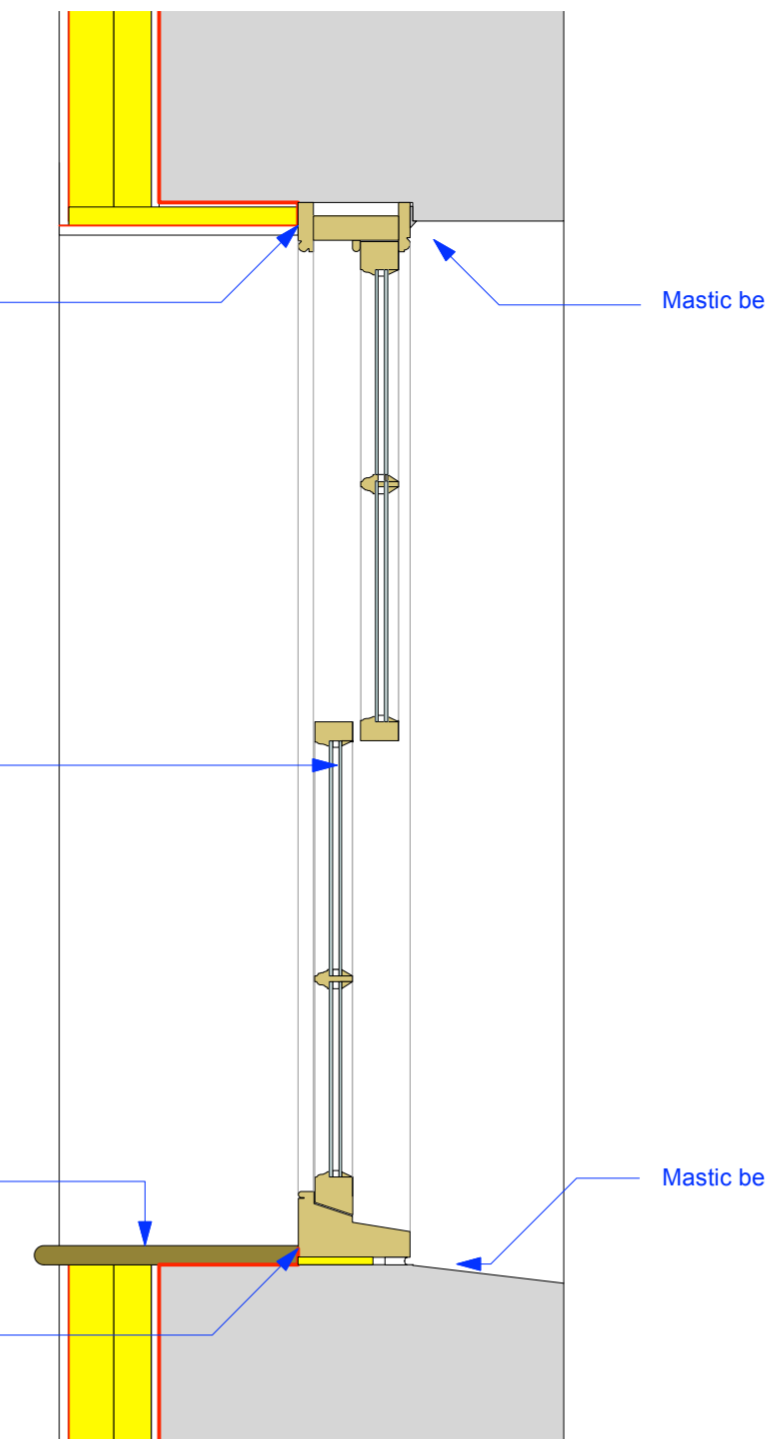


ELEVATION



SECTION

Tanking to be linked to the frame with self adhesive dpm material

Mastic bead

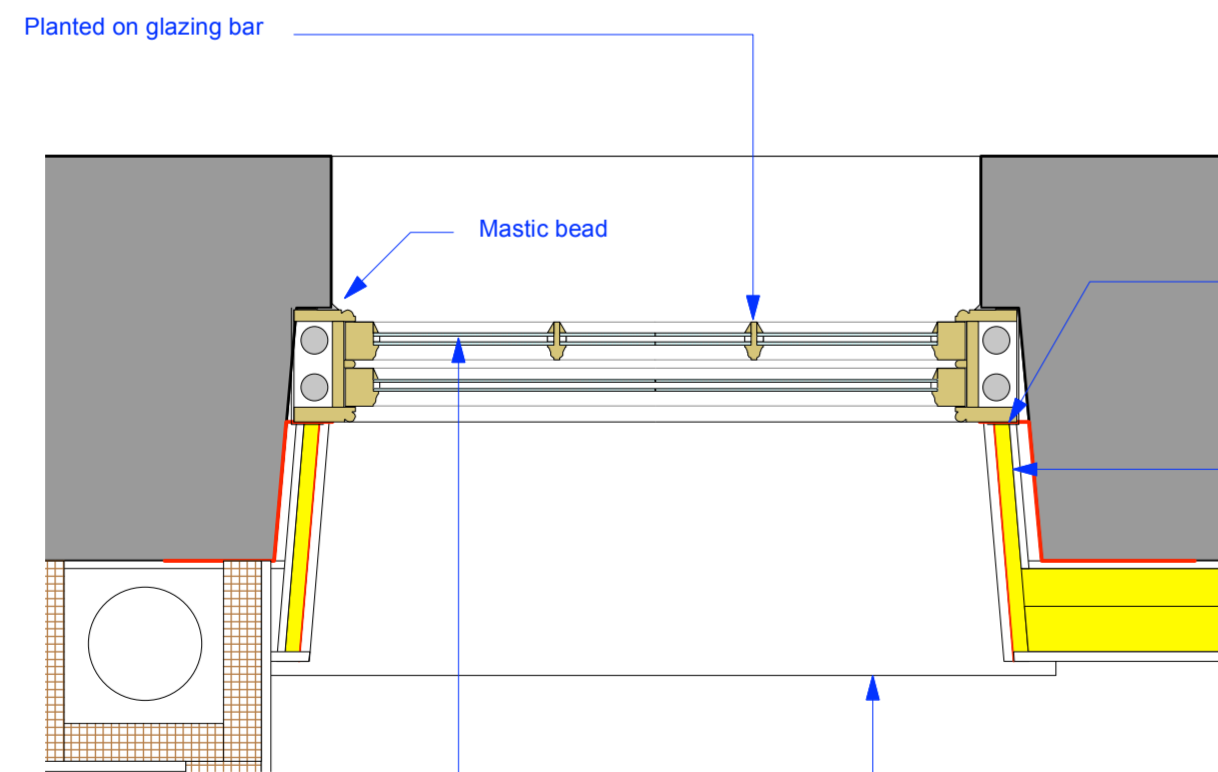
New Accoya window to match existing, double glazed with planted on glazing bars, painted white. Argon filled, slimline, double glazed units

Existing stone surround retained

25mm bull nosed mdf cill

Mastic bead

Tanking to be linked to the frame with self adhesive dpm material



New Accoya window to match existing, double glazed with planted on glazing bars, painted white. Argon filled, slimline, double glazed units

25mm bull nosed mdf cill

Tanking to be linked to the frame with self adhesive dpm material

32.5mm insulated plasterboard to reveals (thickness tbc on site)

PLAN

Note plan section is cut thro' the opening section of frame

A. SG. 29.06.2023. Changed to sliding sash window

Rev.	Initial	Date	Note

TENDER ISSUE

project Knott Gate Farmhouse

Farmhouse-  
drawing title New window FW6 details

dwg. no. 5923/d-c-14	date Jun 23	rev A
----------------------	-------------	-------

scale 1:10 @ A2	drawn by SG	checked by
-----------------	-------------	------------

MASON GILLIBRAND ARCHITECTS

16 WILLOW MILL | FELL VIEW | CATON | LANCASTER | LA2 9RA  
T: (01524) 771 377 | F: (01524) 771 330 | www.masongillibrand.com

Drawings are based on survey data and may not accurately represent what is physically present. Do not scale from this drawing. All dimensions are to be verified on site before proceeding with works. All dimensions are in millimetres unless stated otherwise. Mason Gillibrand Architects are to be notified in writing of any discrepancies immediately.  
© MASON GILLIBRAND ARCHITECTS