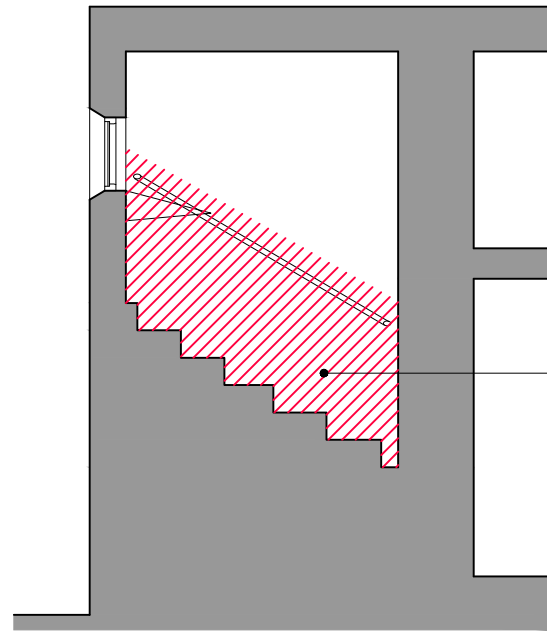
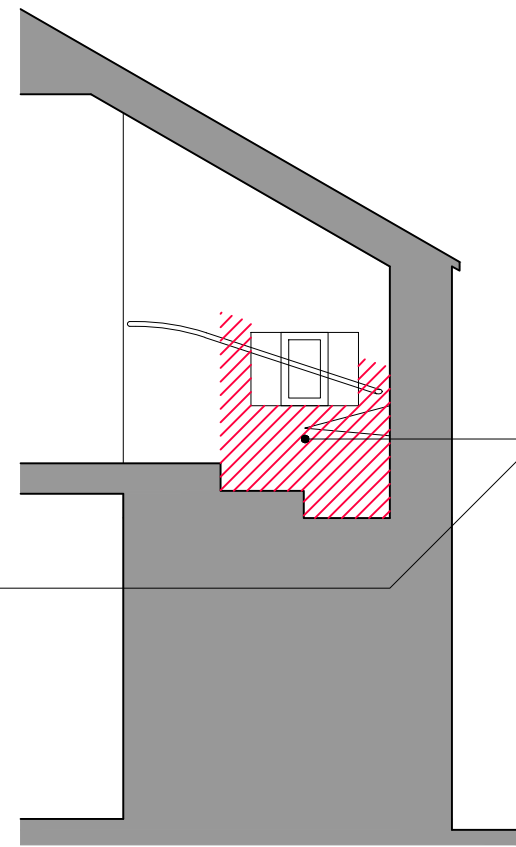


ELEVATION A



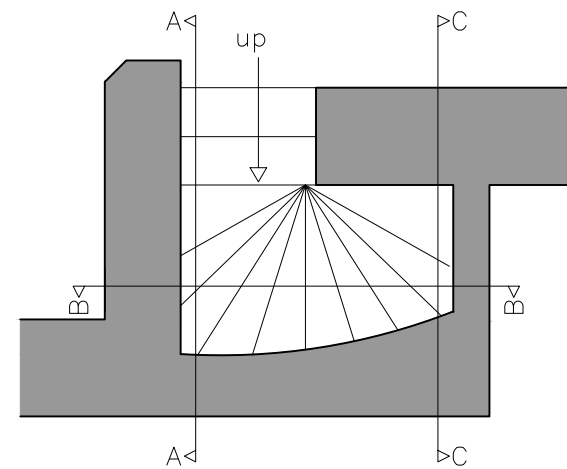
ELEVATION B



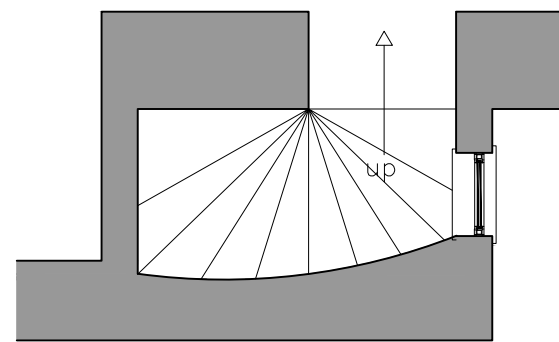
ELEVATION C

NOTE

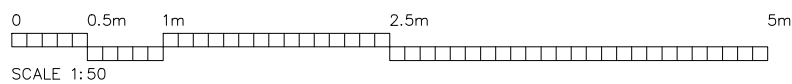
GENERAL NOTES:
 THE COPYRIGHT FOR THIS DRAWING IS HELD BY TRUMETRIC LTD. FOR RIGHTS TO REPLICATE INFORMATION IN THIS DOCUMENT EXPRESS PERMISSION MUST BE SOUGHT FROM THE COPYRIGHT HOLDER.
 (C) TRUMETRIC 2023
 NO SCALING, DIMENSIONS, AREAS, ETC. OTHER THEN THOSE FIGURED ARE TO BE TAKEN FROM THIS DRAWING. ALL DIMENSIONS TO BE CHECKED ON SITE BY THE CONTRACTOR AND SUCH DIMENSIONS ARE THEIR RESPONSIBILITY
 THIS DRAWING IS FOR USE AT THE NAMED LOCATION AND FOR THE STATED PURPOSE ONLY AND AS SUCH SHOULD NOT BE USED AT ANY OTHER LOCATION OR FOR ANY OTHER PURPOSES
 ALL WORK MUST COMPLY WITH RELEVANT BRITISH STANDARDS AND BUILDING REGULATION REQUIREMENTS
 ANY DRAWING ERRORS AND/OR OMISSIONS ARE TO BE REPORTED TO THE DESIGNER
 THIS DRAWING IS TO BE READ IN CONJUNCTION WITH ANY OTHER DESIGNERS OR OTHER CONSULTANTS INFORMATION
 THIS DRAWING SHOULD ALWAYS BE READ IN COLOUR



GROUND FLOOR



FIRST FLOOR



SCALE 1:50



PRESTON
 1-2 CROSS STREET, PRESTON, PR1 3LT 01772 846002
 MANCHESTER
 JACTIN HOUSE, 24 HOOD STREET, MANCHESTER, M4 6WJ 0161 533 0915
 LEEDS
 2 INFIRMARY STREET, LEEDS, LS1 2JP 0113 479 0403

REV	DESCRIPTION	BY	DATE

PROJECT LOCATION:
 ASH KNOTT
 LITTLE BOWLAND ROAD
 WHITEWELL
 BB7 3BN

DRAWING TITLE:
 EXISTING INTERNAL
 STAIRCASE ELEVATIONS

DRAWING STATUS
 FOR INFORMATION

DRAWN BY: AWEN
 CHECKED BY: LG

DRAWING SCALE: 1:50
 PAPER SIZE: A3
 DATE: 09/2023

JOB REFERENCE: TM23-0040
 DWG NUMBER: 04