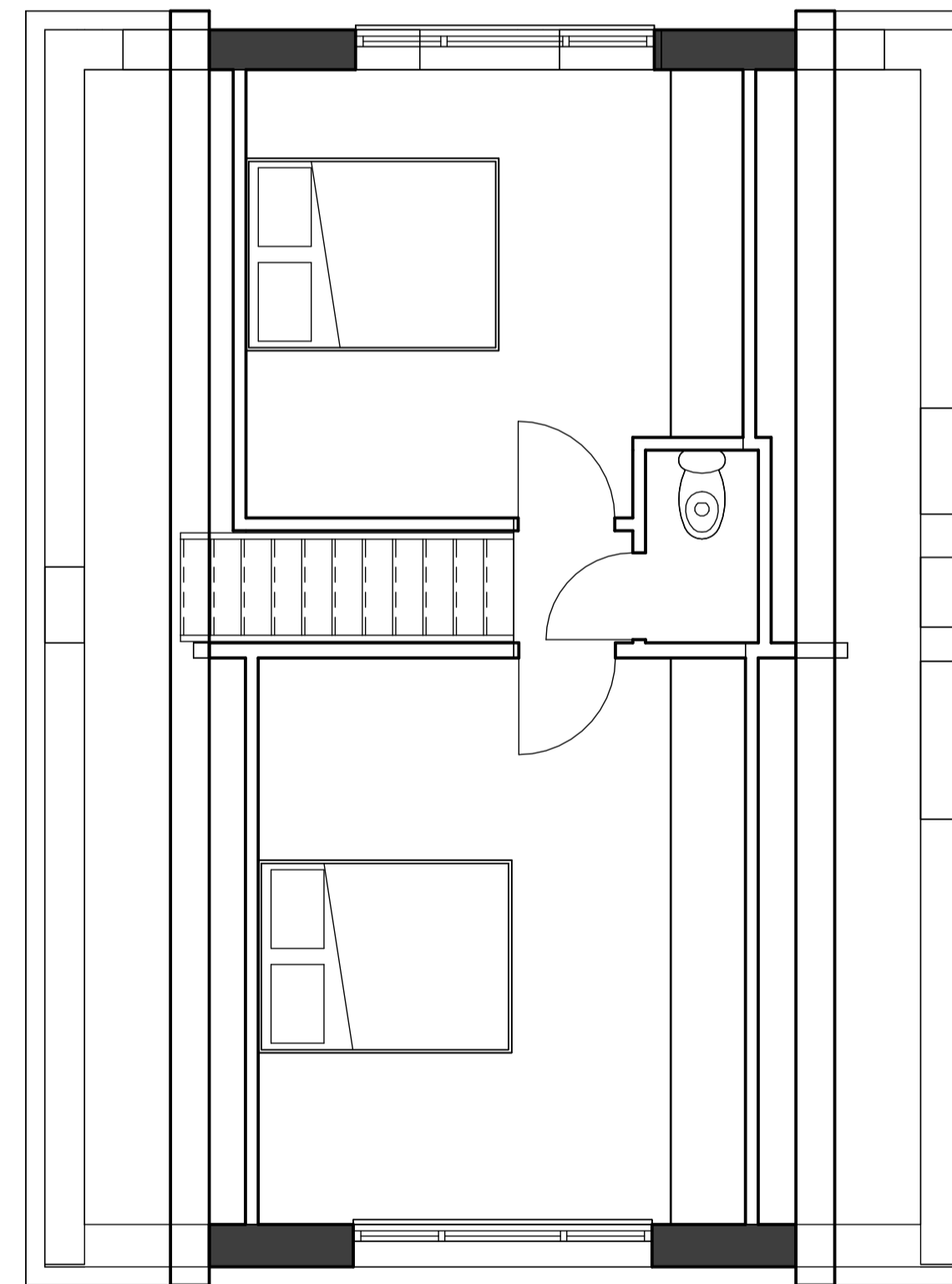
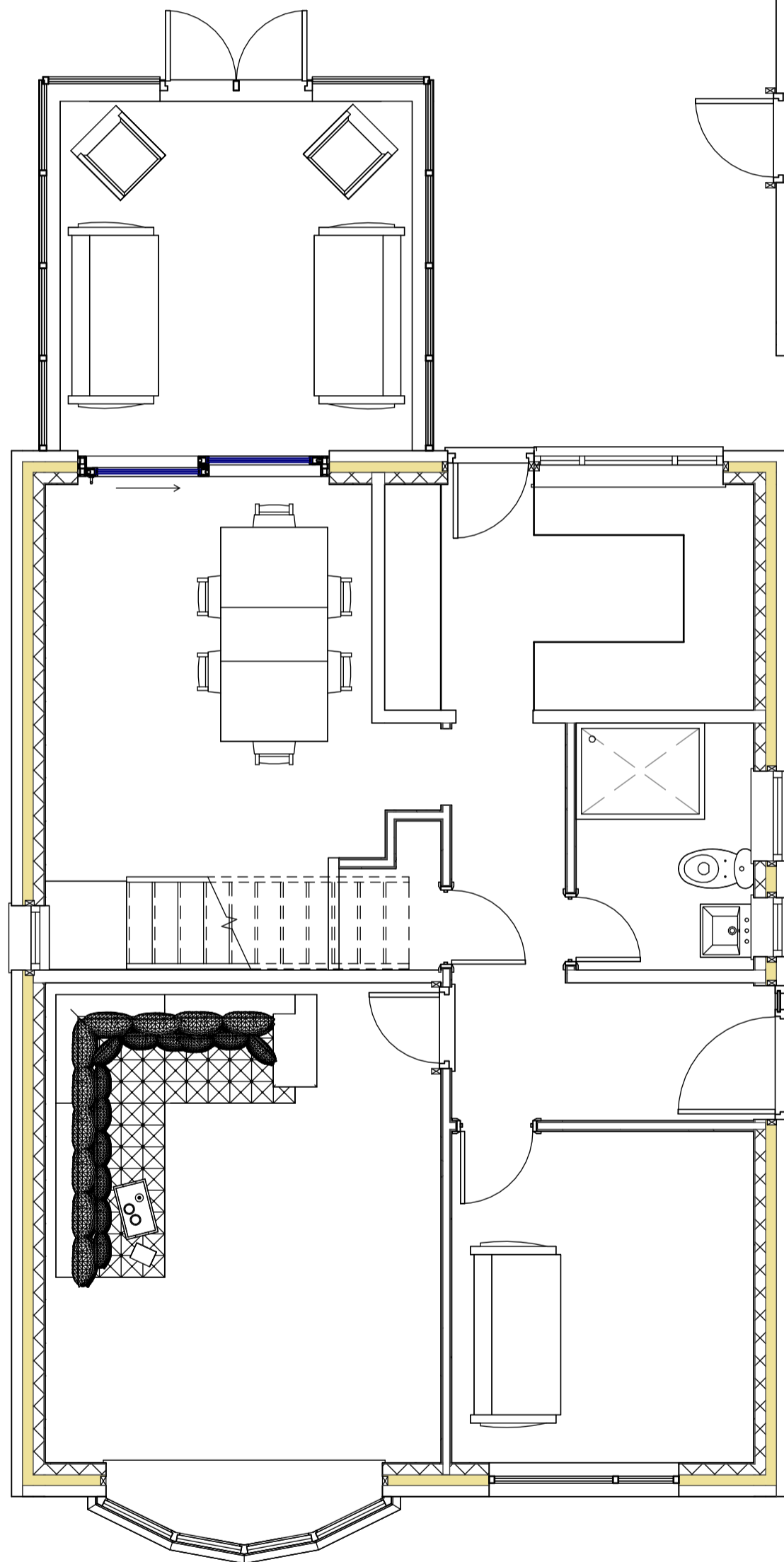
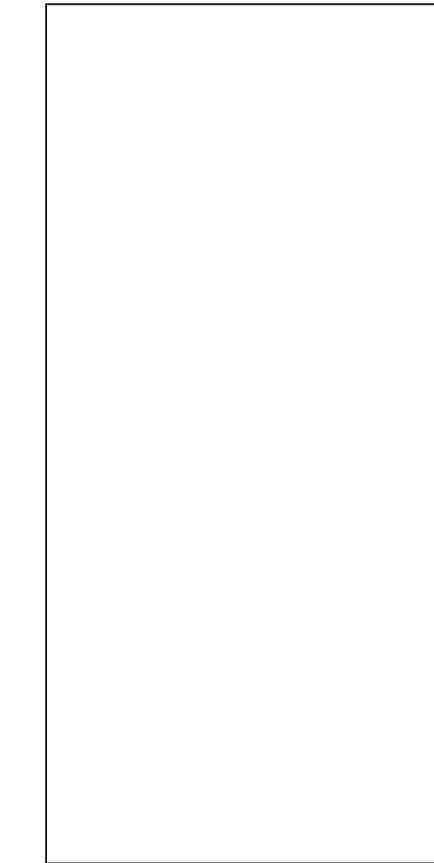
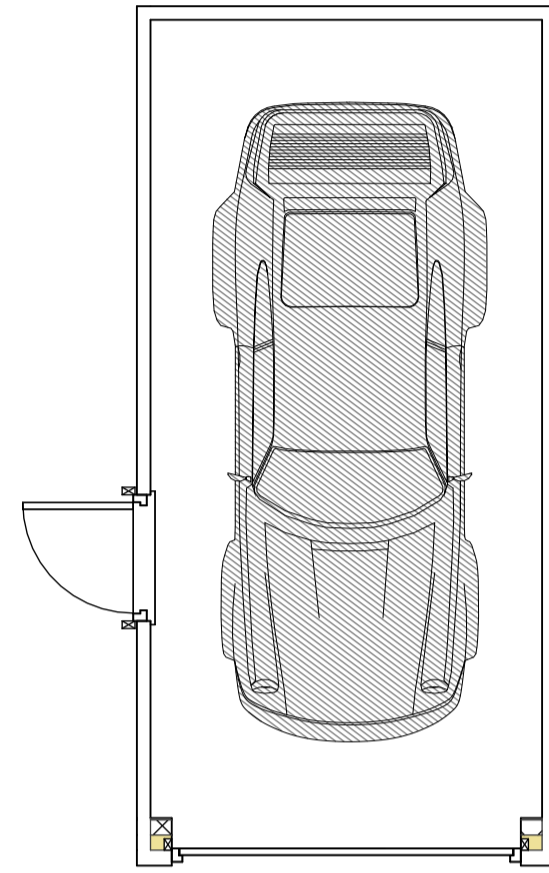


NOTES:



1 0 GROUND FLOOR  
1 : 50

2 1 FIRST FLOOR  
1 : 50

No.	Description	Date

CLIENT: MR JENNINGS AND MRS AUGHTON  
30 WADDOW GROVE  
WADDINGTON  
CLITHEROE  
BB7 3JL

PROJECT: PROPOSED REAR EXTENSION AND SIDE DORMER

SHEET: EXISTING FLOOR PLANS

Project number PHA/894

Date 20/11/23

Drawn by LW

Checked by PH

**A2.1**

Scale 1 : 50

Sheet size A1