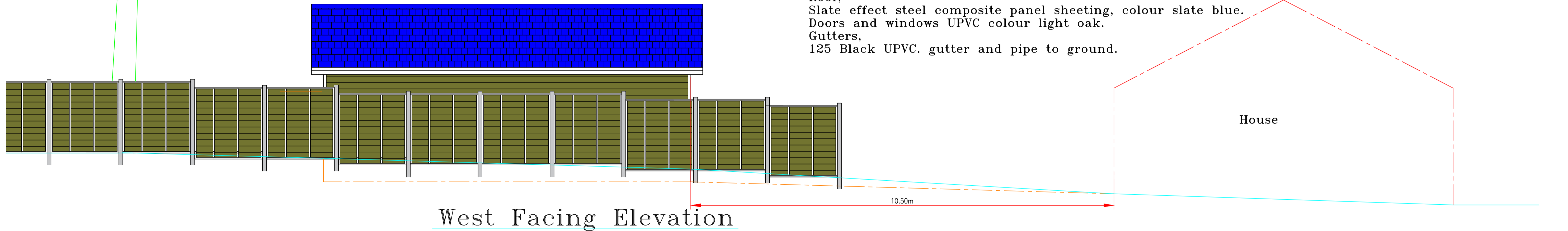


East Facing Elevation

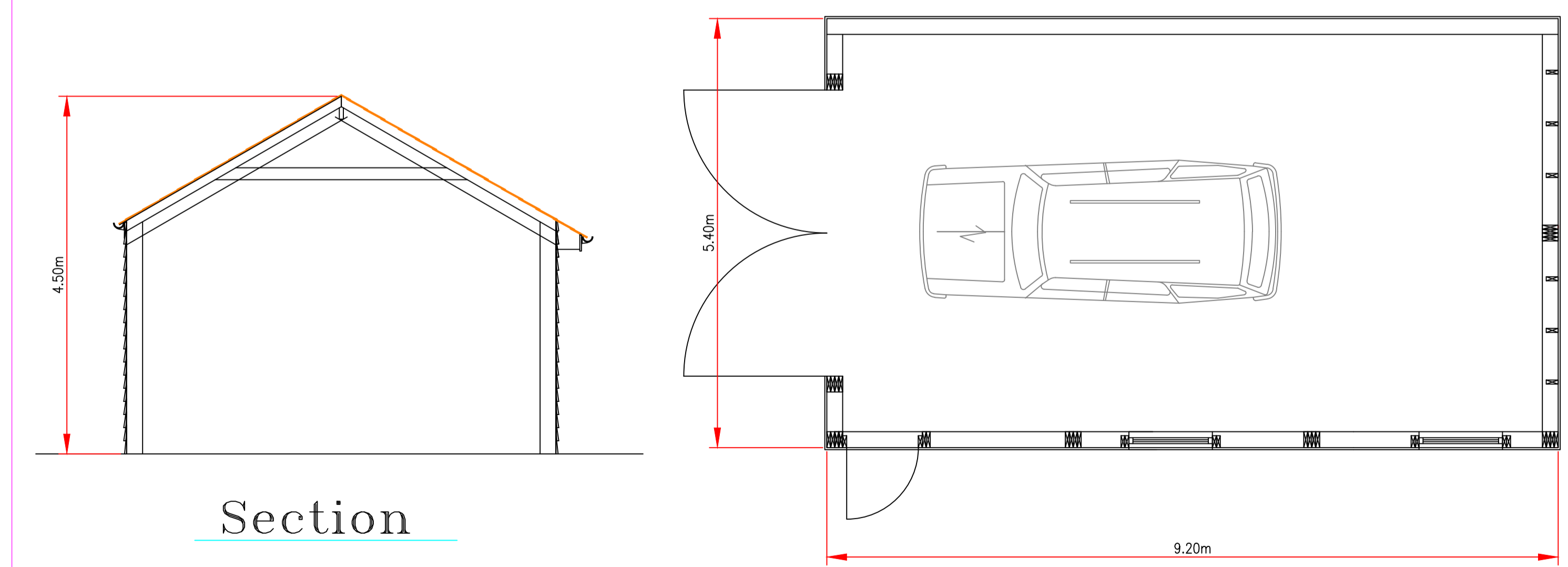
South Facing Elevation

North Facing Elevation

Material Specification:
 Wall,
 To boundary side 225 solid concrete block.
 To 3 sides, structural timber frame clad externally with Larch horizontal cladding boards.
 Roof,
 Slate effect steel composite panel sheeting, colour slate blue.
 Doors and windows UPVC colour light oak.
 Gutters,
 125 Black UPVC. gutter and pipe to ground.

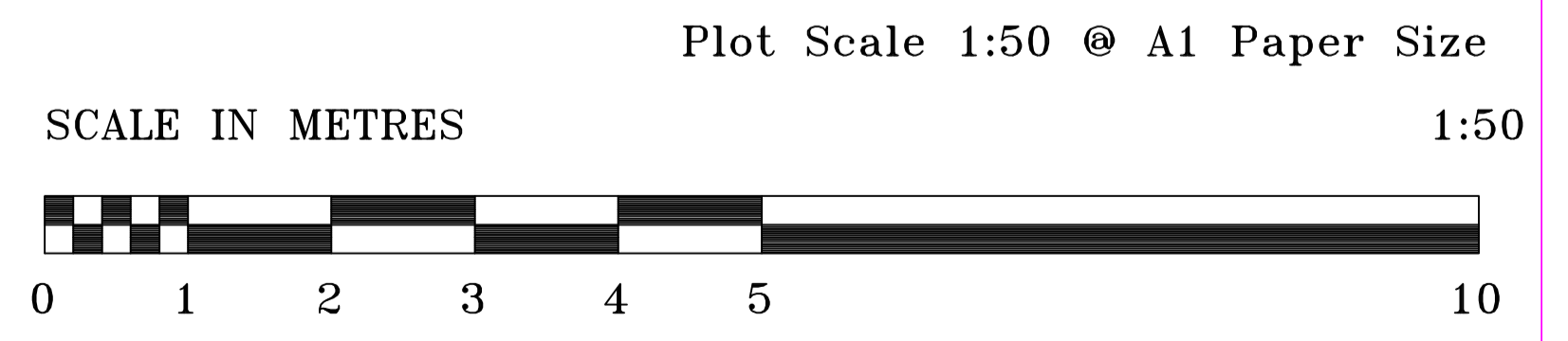


West Facing Elevation



Section

Floor Plan



TITLE Proposed Elevations And Layout For A Timber Framed Garage Structure To The Rear Garden Of The Property. Re-submission	Plans prepared for:	Scale	Reference
	Mr. & Mrs. P.H. Marsden. Kemple Side. Clitheroe Road. Knowle Green. Preston. PR3 2YS.	1:50 & as shown	
		Date	
		Nov. 2023	

18PortalStructure40DegRoofPaulMarsdenSpecial