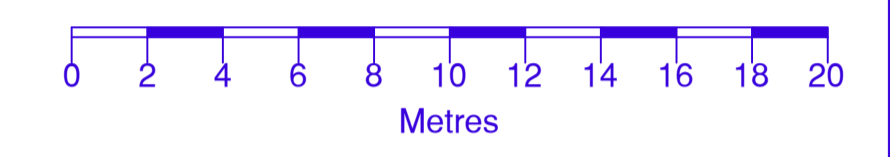
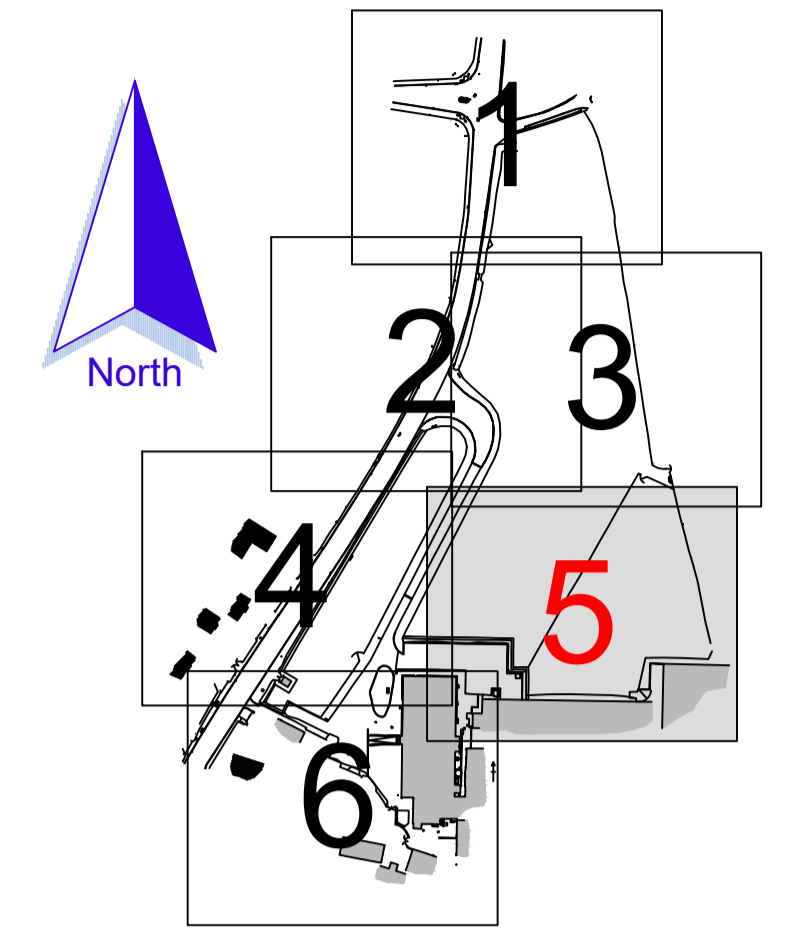




Notes
 All Dimensions to be checked on site. Walls shown on plans are not to be assumed to be solid & should be checked for thickness, construction, load bearing capacity & stability.



- ABBREVIATIONS**
- BOL Bollard
 - BT BT Cover
 - CH Cable Height
 - CL Cover Level
 - DK Drop Kerb
 - EH Eaves Height
 - GU Gully
 - LP Lamp Post
 - MH Man Hole
 - RH Ridge/Roof Height
 - RWP Rain Water Pipe
 - SP Sign Post
 - SVP Soil Vent Pipe
 - TF Top of Fence
 - TH Top of Hedge
 - TW Top of Wall
 - WV Water Valve

NOTE
 All levels and coordinates relate to OSGB36(15) using GNSS data.
 Levels defining edge of carriageway are observed at channel (bottom of kerb).

Rev.0 Description. Issued

TriCAD Solutions Ltd.
 BUILDING & LAND SURVEYORS
 2 Berkshire Close | Wilpshire | Blackburn | Lancashire | BB1 9NG
 tel 01254 614055 fax 01254 209754 e-mail sales@tricadsolutions.co.uk

Site Address
Alston Dairy Ltd,
 Preston,
 PR3 3BN
 Project Description
 Site Survey

Drawing Title
Existing Site Layout

Scale 1:200@A1	Date 02/06/2023	Drawn By SN/IW
Drawing Number TRI-4135-05		