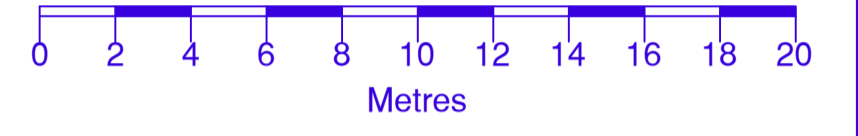
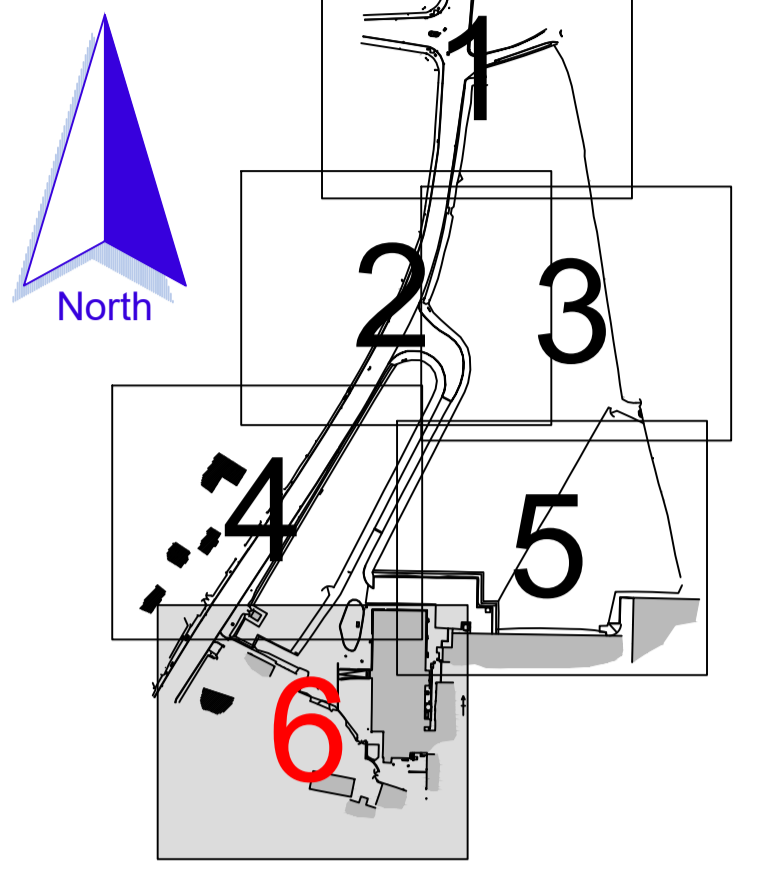




**Notes**  
 All Dimensions to be checked on site. Walls shown on plans are not to be assumed to be solid & should be checked for thickness, construction, load bearing capacity & stability.



- ABBREVIATIONS**
- BOL Bollard
  - BT BT Cover
  - CH Cable Height
  - CL Cover Level
  - DK Drop Kerb
  - EH Eaves Height
  - GU Gully
  - LP Lamp Post
  - MH Man Hole
  - RH Ridge/Roof Height
  - RWP Rain Water Pipe
  - SP Sign Post
  - SVP Soil Vent Pipe
  - TF Top of Fence
  - TH Top of Hedge
  - TW Top of Wall
  - WV Water Valve

**NOTE**  
 All levels and coordinates relate to OSGB36(15) using GNSS data.  
 Levels defining edge of carriageway are observed at channel (bottom of kerb).

Rev.0	Description.	Issued
-------	--------------	--------



2 Berkshire Close | Wilpshire | Blackburn | Lancashire | BB1 9NG  
 tel 01254 614055 fax 01254 209754 e-mail sales@tricadsolutions.co.uk

Site Address  
**Alston Dairy Ltd,**  
 Preston,  
 PR3 3BN

Project Description  
 Site Survey

Drawing Title  
**Existing  
 Site Layout**

Scale	Date	Drawn By
1:200@A1	02/06/2023	SN/IW

Drawing Number  
**TRI-4135-06**