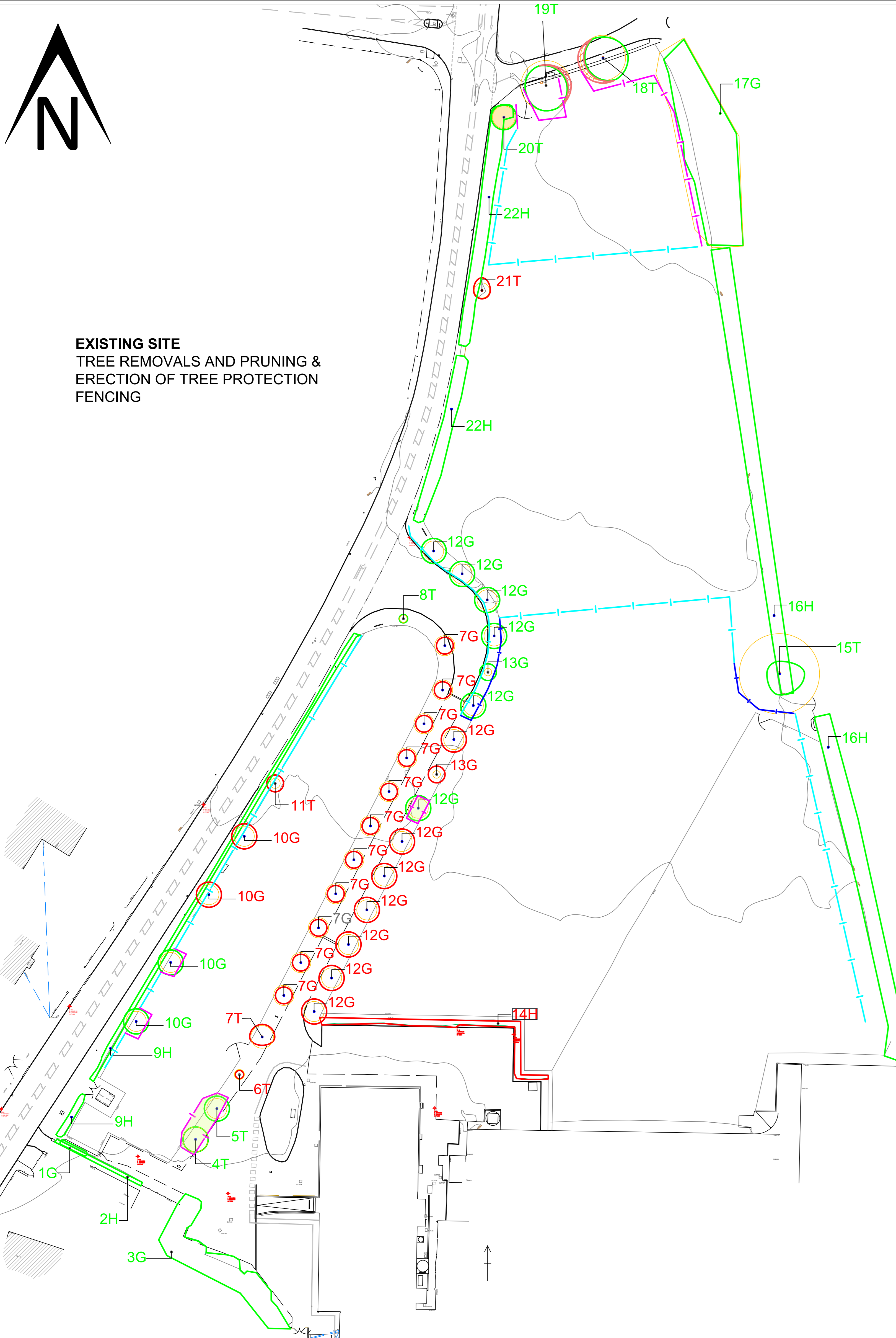
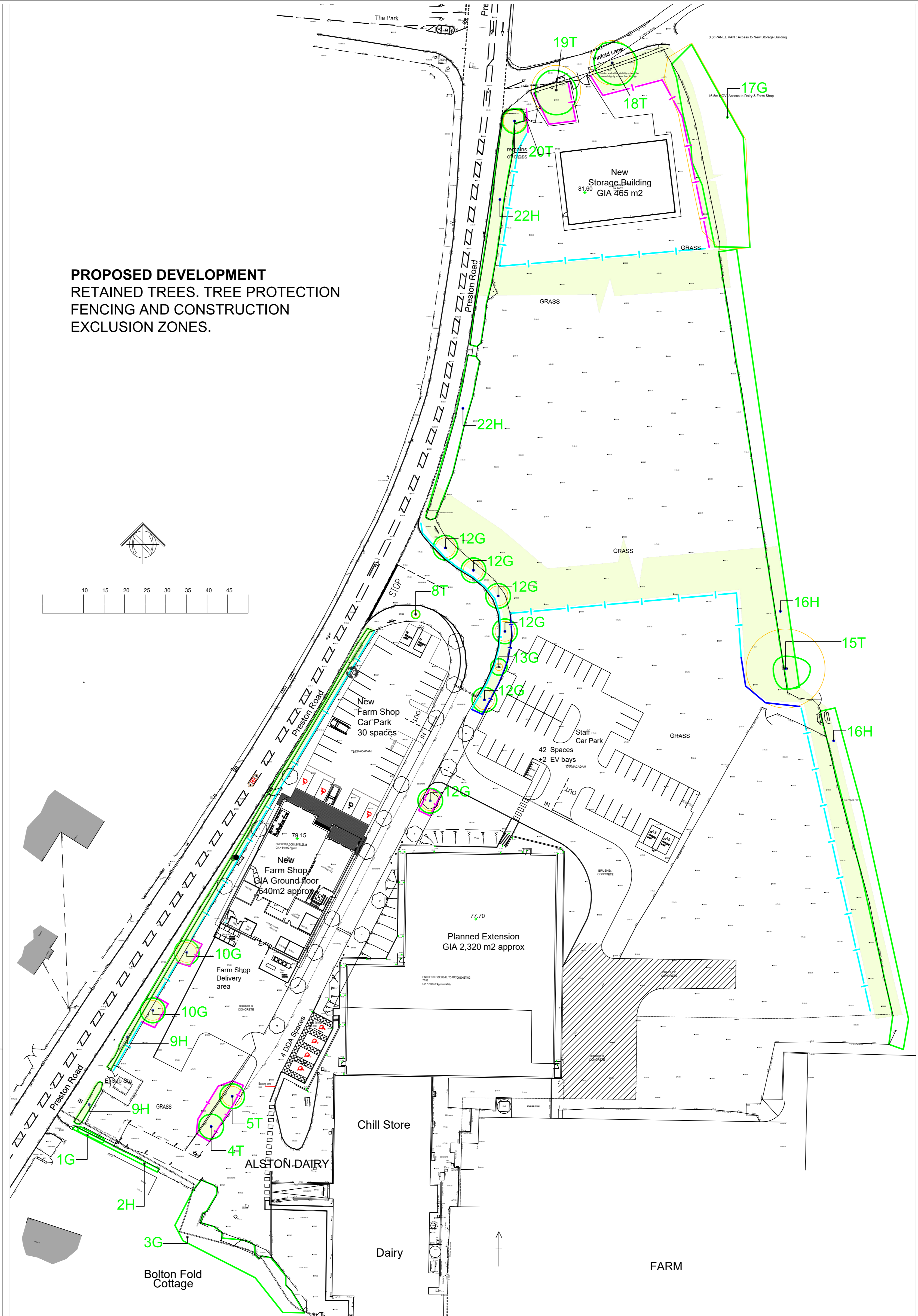


EXISTING SITE TREE REMOVALS AND PRUNING & ERECTION OF TREE PROTECTION FENCING



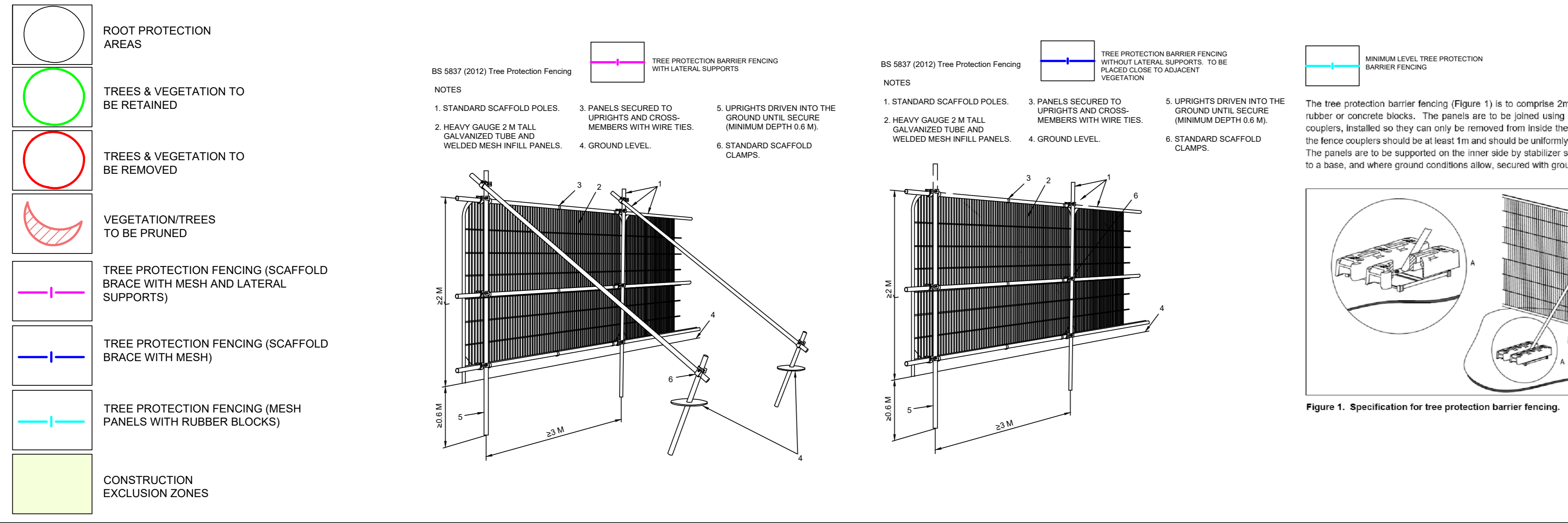
PROPOSED DEVELOPMENT RETAINED TREES. TREE PROTECTION FENCING AND CONSTRUCTION EXCLUSION ZONES.



Phase	Requirements	Method																		
1 Prior to erection of protective fencing.	Undertake tree and vegetation removal and pruning works	Refer to section 5.5 of AIA/MS report. All tree works to be carried out to BS3998: 2010, by suitably qualified and insured professional tree surgeons.																		
	Trees/vegetation to be removed:	The following tree felling must be undertaken at this Phase: Items requiring removal:																		
		<table border="1"> <tr><td>6T</td><td>Pear</td></tr> <tr><td>7T</td><td>Silver Birch</td></tr> <tr><td>7G</td><td>11x Silver Birch</td></tr> <tr><td>10G</td><td>4x Norway Maple (Partial removal only. 2x trees to be removed – refer to Tree Protection Plan).</td></tr> <tr><td>11T</td><td>Norway Maple</td></tr> <tr><td>12G</td><td>13x Silver Birch Maple (Partial removal only. 7x trees to be removed – refer to Tree Protection Plan).</td></tr> <tr><td>13G</td><td>2x Pear Maple (Partial removal only. 1x trees to be removed – refer to Tree Protection Plan).</td></tr> <tr><td>14H</td><td>Beech, Cherry Laurel hedge</td></tr> <tr><td>21T</td><td>Norway Maple</td></tr> </table>	6T	Pear	7T	Silver Birch	7G	11x Silver Birch	10G	4x Norway Maple (Partial removal only. 2x trees to be removed – refer to Tree Protection Plan).	11T	Norway Maple	12G	13x Silver Birch Maple (Partial removal only. 7x trees to be removed – refer to Tree Protection Plan).	13G	2x Pear Maple (Partial removal only. 1x trees to be removed – refer to Tree Protection Plan).	14H	Beech, Cherry Laurel hedge	21T	Norway Maple
6T	Pear																			
7T	Silver Birch																			
7G	11x Silver Birch																			
10G	4x Norway Maple (Partial removal only. 2x trees to be removed – refer to Tree Protection Plan).																			
11T	Norway Maple																			
12G	13x Silver Birch Maple (Partial removal only. 7x trees to be removed – refer to Tree Protection Plan).																			
13G	2x Pear Maple (Partial removal only. 1x trees to be removed – refer to Tree Protection Plan).																			
14H	Beech, Cherry Laurel hedge																			
21T	Norway Maple																			
	Trees/vegetation to be pruned:	The following tree pruning must be undertaken at this Phase: Items requiring pruning:																		
		<table border="1"> <tr><td>18T</td><td>Ash. Reduce the south-westerly lateral canopy spread by approximately 2m in length to provide clearance of new access route to proposed barn.</td></tr> <tr><td>19T</td><td>Ash. Reduce the easterly lateral canopy spread by approximately 1.5m in length to provide clearance of new access route to proposed barn.</td></tr> </table>	18T	Ash. Reduce the south-westerly lateral canopy spread by approximately 2m in length to provide clearance of new access route to proposed barn.	19T	Ash. Reduce the easterly lateral canopy spread by approximately 1.5m in length to provide clearance of new access route to proposed barn.														
18T	Ash. Reduce the south-westerly lateral canopy spread by approximately 2m in length to provide clearance of new access route to proposed barn.																			
19T	Ash. Reduce the easterly lateral canopy spread by approximately 1.5m in length to provide clearance of new access route to proposed barn.																			
2 Prior to any construction works on site	Erection of protective fencing:	Protective fencing is to be erected in accordance with 5.6 of AIA/MS report.																		
	Full Specification:	The fencing must comply with the positions shown in the Tree Protection Plan. A scale copy of the Tree Protection Plan must be used as reference and fencing positions measured from the Plan using a scale rule or using Easting and Northing points where provided.																		
	Medium Specification:	No works, no storage of materials, no access, or any ground disturbance is to take place within the Tree Protection Barrier Fencing other than works specified within the Arboricultural Method Statement. Fenced areas are to be treated as Construction Exclusion Zones.																		
	Minimum Specification:	Warning signs to be placed on all protective fencing. For large sections of fencing the signs must be placed at 20m intervals. Signs must be laminated and securely attached at all corners. Two signs are to be placed side by side, copies of which are attached within Appendix A. It is key that protective fencing is fully erected prior to the on-set of any works within the site. It is advised that fencing be erected by third party contractors, prior to the arrival of main site operatives/developers.																		

Phase	Requirements	Method
3 Verifying quality of protective barriers	Verify that the location and quality of tree protection barriers is adequate prior to onset of main site works.	Site visit with Arboricultural Consultant and Site Manager. Tree Officer to be pre-informed of visit. In order for set works to proceed the pro-forma in Appendix B. of the AIA/MS report is to be completed and passed on to the local planning authority. If the protective barriers are not adequately, work is not to proceed until rectified.
	4 Ongoing	Maintain protective fencing
5 Completion of main construction and undertaking of landscaping	Landscaping and Dismantling of tree barrier protective fencing.	It is essential that ground levels within the root protection areas are not altered, either by raising or lowering soil levels, even at the landscaping stage. Landscaping operations must be undertaken in a manner that will not impact trees. Landscaping within the root protection area of trees must be undertaken in the following manner:
		<ol style="list-style-type: none"> Any existing ground flora (grass/weeds/scrub) is to be sprayed with a systemic herbicide and left to die-off. Dead flora is to be strimmed as hard as possible with a brush cutter or similar. The bulk of the strimmed material is to be removed by raking. A good quality organic topsoil layer may be placed down. Small depressions may be filled (and lightly compacted underfoot). Placed topsoil soil layers must not exceed 100mm depth. No plant machinery operating within the root protection areas to exceed 1 tonne gross weight and must only operate from properly ground protection boards such as DuraMatt Access Mats (see Appendix C). Turf and other planting to proceed thereafter.

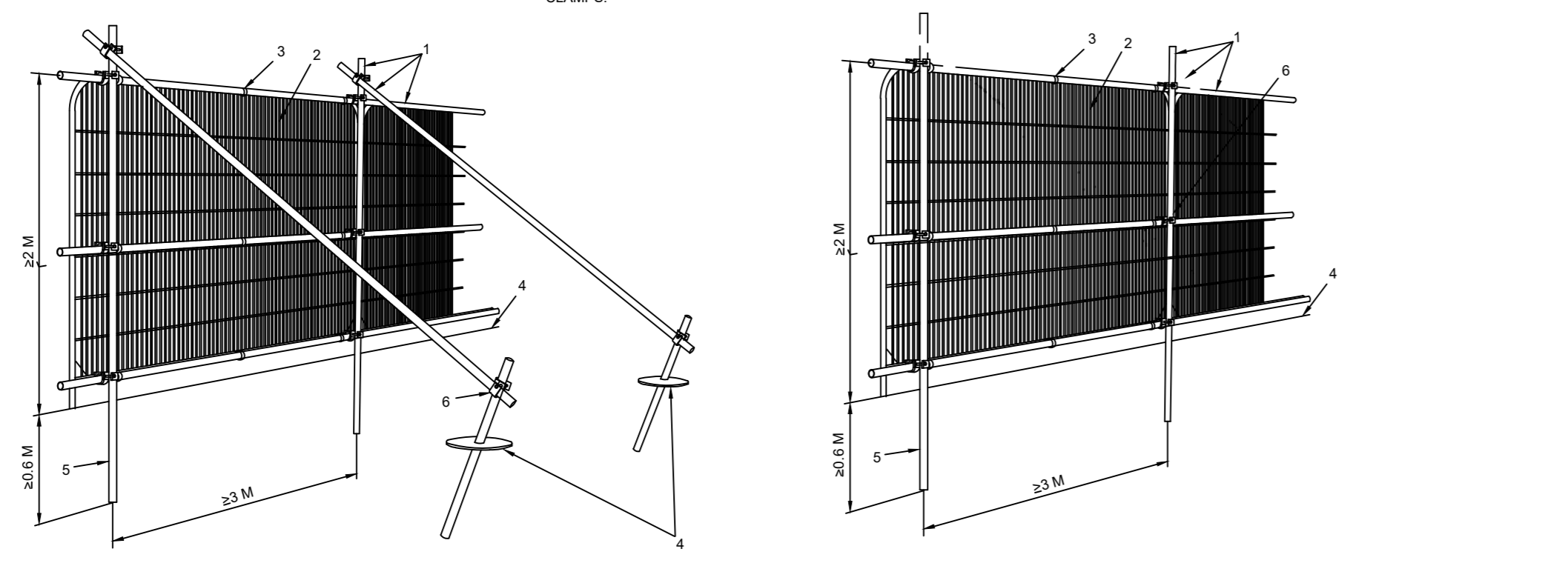
KEY



BS 5837 (2012) Tree Protection Fencing

NOTES

- STANDARD SCAFFOLD POLES.
- HEAVY GAUGE 2M TALL GALVANIZED TUBE AND WELDED MESH INFILL PANELS.
- PANELS SECURED TO UPRIGHTS AND CROSS-MEMBERS WITH WIRE TIES.
- GROUND LEVEL.
- UPRIGHTS DRIVEN INTO THE GROUND UNTIL SECURE (MINIMUM DEPTH 0.6M).
- STANDARD SCAFFOLD CLAMPS.



BS 5837 (2012) Tree Protection Fencing

NOTES

- STANDARD SCAFFOLD POLES.
- HEAVY GAUGE 2M TALL GALVANIZED TUBE AND WELDED MESH INFILL PANELS.
- PANELS SECURED TO UPRIGHTS AND CROSS-MEMBERS WITH WIRE TIES.
- GROUND LEVEL.
- UPRIGHTS DRIVEN INTO THE GROUND UNTIL SECURE (MINIMUM DEPTH 0.6M).
- STANDARD SCAFFOLD CLAMPS.

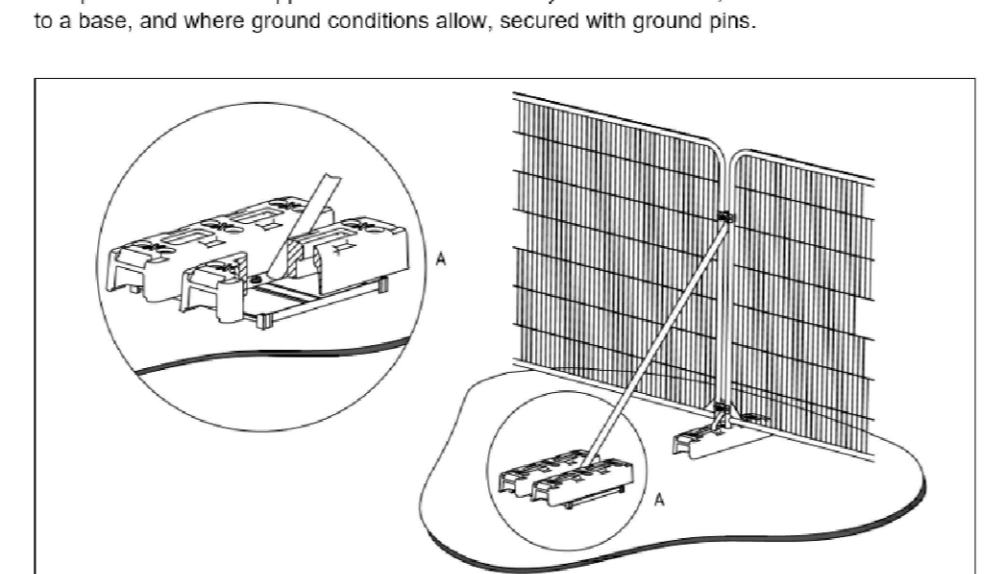


Figure 1. Specification for tree protection barrier fencing.

Tree Schedule

Tree Number	Species	RPA Radius	Category
2H	Blackthorn and Hawthorn hedge		C1
3G	Cherry Laurel, Lawson Cypress, Privet, Ash, Cherry		C1
4T	Silver Birch	3m	B2
5T	Silver Birch	2.4m	B2
6T	Pear	1.2m	C1
7G	11x Silver Birch	2.4m	B2
7T	Silver Birch	2.7m	B2
8T	Pear	0.9m	C1
9H	Hawthorn Hedge		B3
10G	4x Norway Maple	2.4m	B2
11T	Norway Maple	1.2m	C2
12G	13x Silver Birch	2.4m	B2
13G	2x Pear	0.9m	C1
14H	Beech, Cherry Laurel		C3
15T	Ash	9.6m	B3
16H	Hawthorn and Blackthorn hedge		B3
17G	Horse Chestnut, Silver Birch, Sycamore, Crack Willow, Cherry, Norway Maple, Pine		A2
18T	Ash	5.4m	B2
19T	Ash	8m	C1
20T	Beech	2.7m	B2
21T	Norway Maple	1.8m	U
22H	Hawthorn hedge		B3
31T	Elm	12m	A3

THIS DRAWING MUST BE VIEWED IN COLOUR AND READ IN CONJUNCTION WITH ARBORICULTURAL IMPACT ASSESSMENT AND METHOD STATEMENT

Revised to layout 18.12.23 MD A

© copyright reserved Date: 18.12.23

Landscape Architecture
Arboriculture

Trevor Bridge Associates Ltd
Ashton Old Baths
Stanford Street West
Alston-under-Lyne
Lancs OL6 7PW

Tel: 0161-804 2099
E-mail: info@trevorbridge.co.uk

Project: ALSTON DAIRY, ALSTON, PRESTON
JAMES HALL

Title: TREE PROTECTION PLAN

Date: OCT '23 Scale(s): 1:500 Dwg no: 7274.02 Rev: A
Dwn: MG Chkd: @ AD