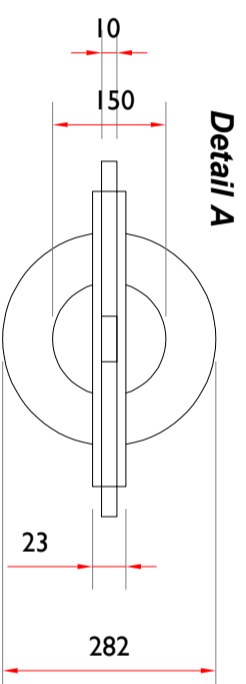
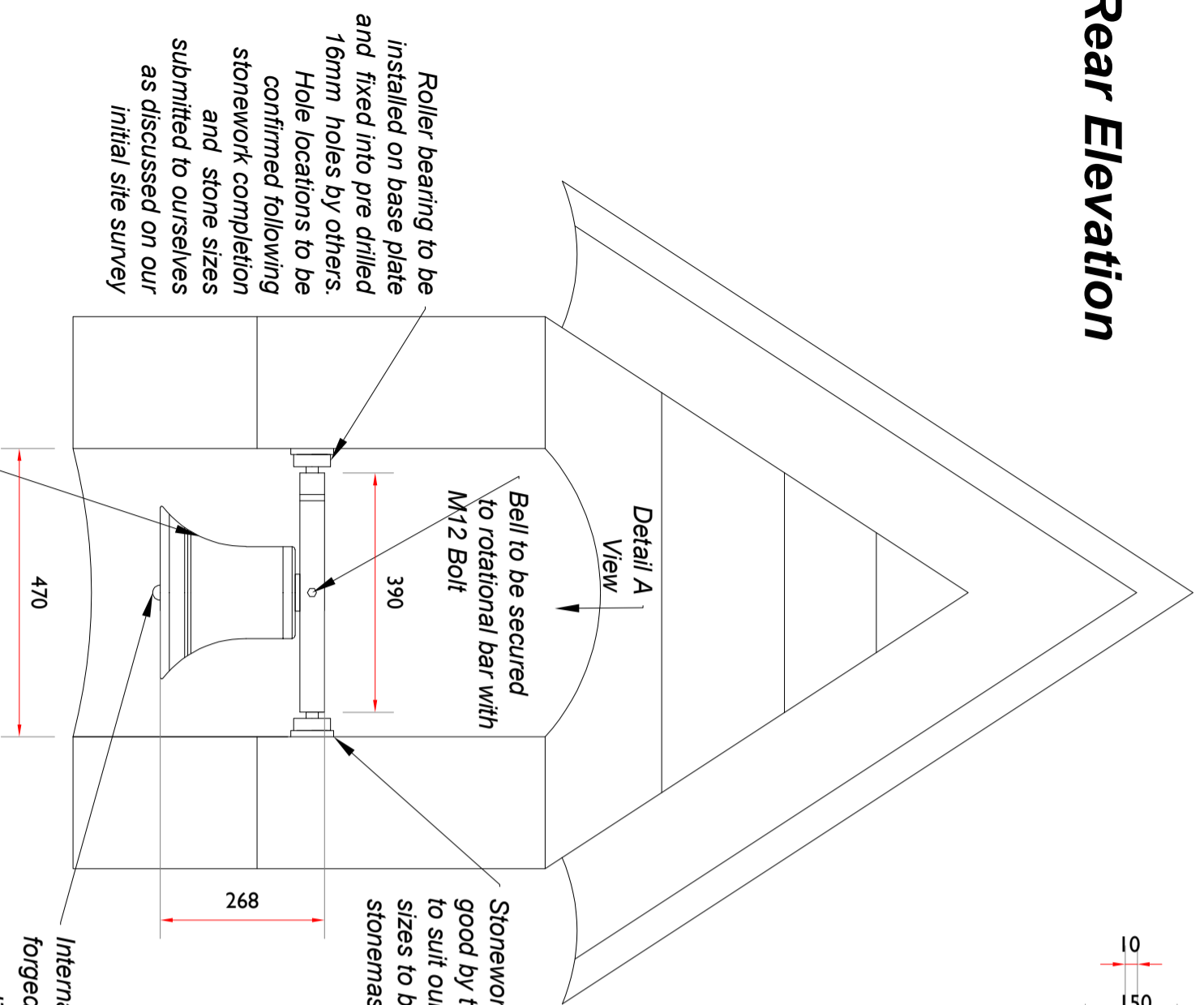
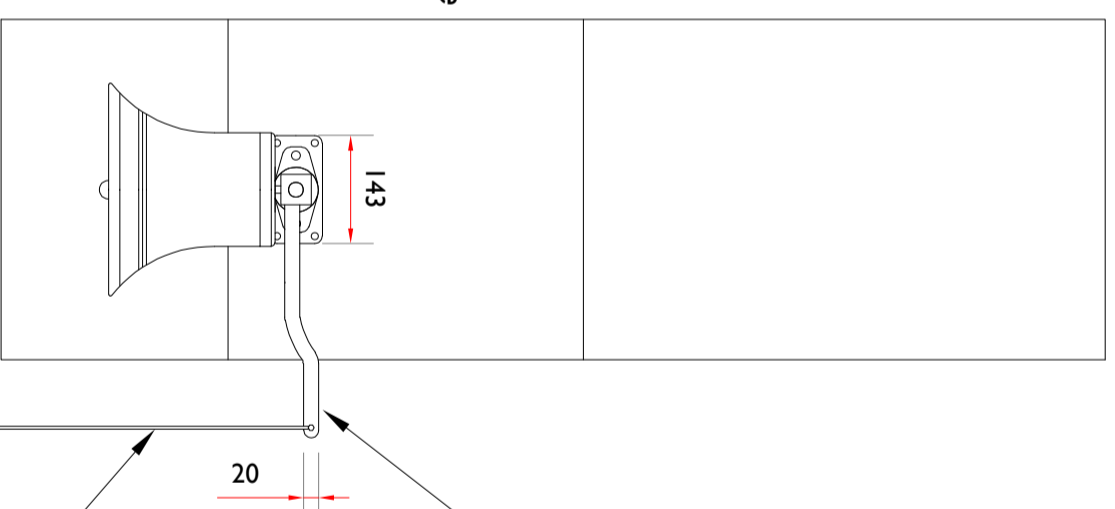


620/A/100- Newton in Bowland School Bell

Rear Elevation



Side Elevation



Stonework to be made good by the stonemason to suit our installation. New stone sizes to be issued to us by the stonemason.

Internal clapper to be forged to suit the bell supplied

Original bell supplied by the client, only necessary cleaning to be undertaken patina look to be preserved as the final finish



Historic Photograph of local similar bell tower- Supplied by the client

Lever arm to be forged to suit historic photograph sent

Pull chain to be supplied by Calibre Entrance route into the building to be created & weatherproofed by others

For Approval

Specification-
All items mild steel S275
Finish Painted 1 BS/RAL colour TBC

No.	Revision	Date	By	Checked By
[A]	>	>	>	>
[B]	>	>	>	>
[C]	>	>	>	>
[D]	>	>	>	>
[E]	>	>	>	>
[F]	>	>	>	>
[G]	>	>	>	>
[H]	>	>	>	>
[I]	>	>	>	>

Fabrication Tolerances
Usual Casting Tolerances Apply

IF IN DOUBT ASK

www.calibremetalwork.co.uk
Calibre Metalwork Ltd
The Old Mill, Mill Lane, Bowland, Lancashire, LA20 9JL
Tel: 01771 832222 Fax: 01771 832223

CALIBRE Metalwork

Project: 620- Newton in Bowland School Bell
Drawing: Newton in Bowland School Bell G4

Scale: 1:10 @ A3
Date: 23/05/24
Sheet: SIG
Status: For Approval