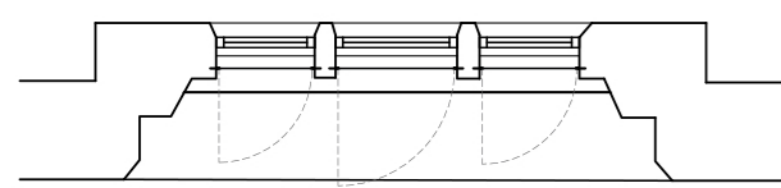
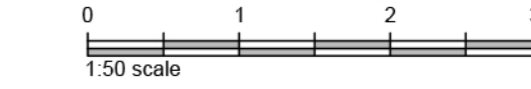


Secondary Glazing Details:

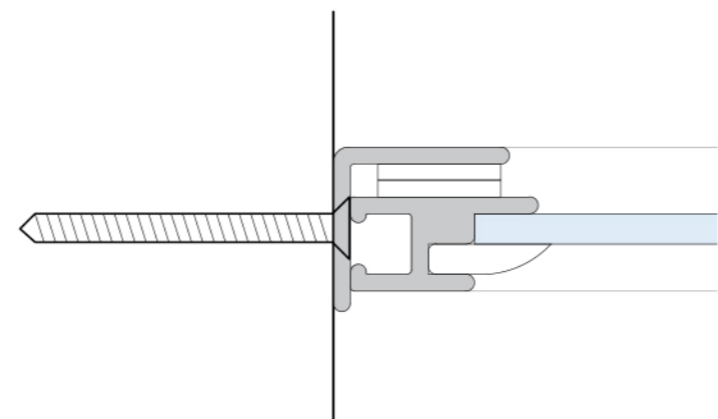
This drawing is to be read in conjunction with all relevant Architect, consultants' and specialists' drawings and specifications. The Architect is to be notified of any discrepancies before proceeding. Do not scale from this drawing. All dimensions and levels are to be checked on site. This drawing is subject to copyright. All work carried out before Planning and Building Permission has been granted is at the contractor's risk. Note: proposed drawing based on OS map information. All illustrated dimensions are approximate and all site dimensions are to be checked on site and subject to site survey.



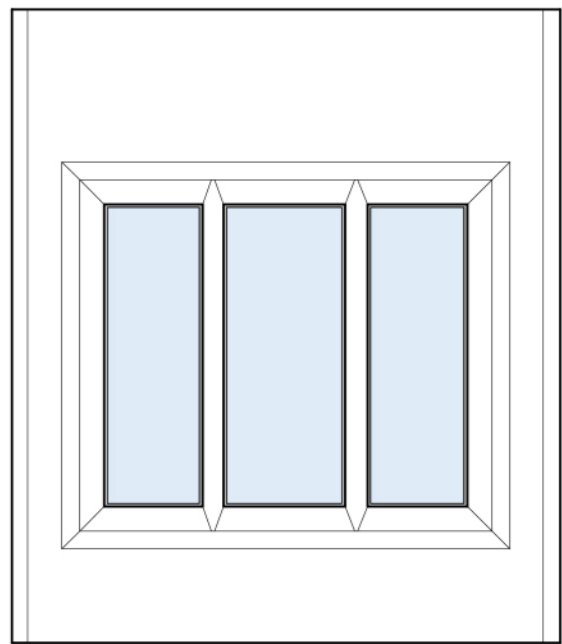
Proposed Window 1 Plan Scale 1:50



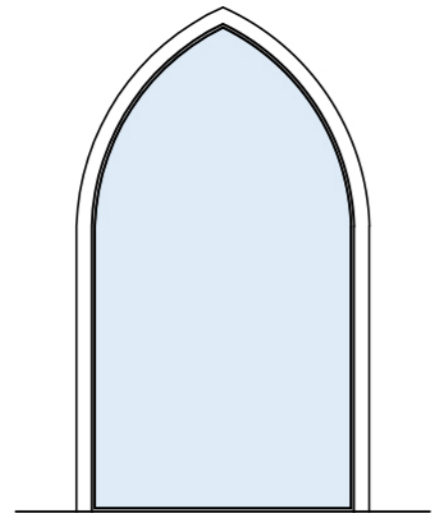
Proposed Window 2 Plan Scale 1:50



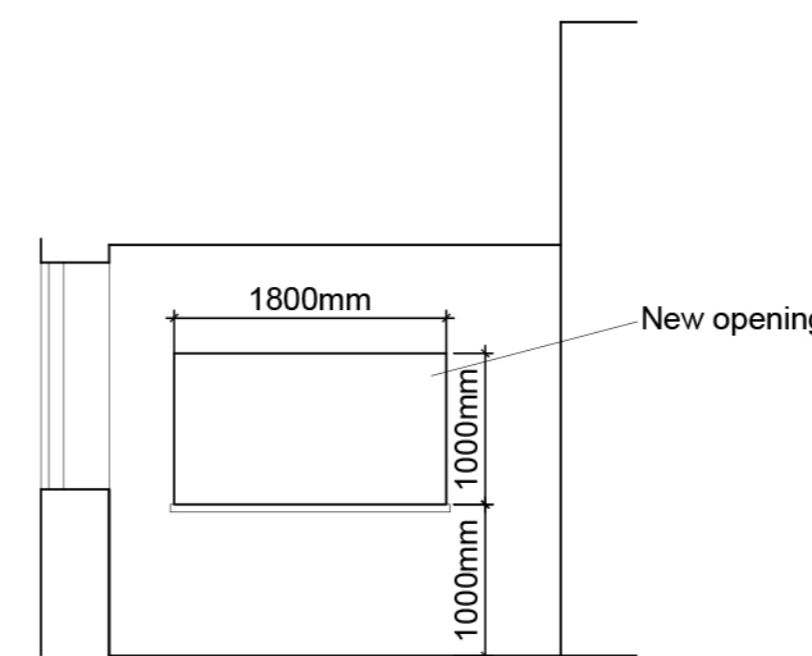
Proposed Frame Detail Scale 1:1



Proposed Window 1 Elevation Scale 1:50

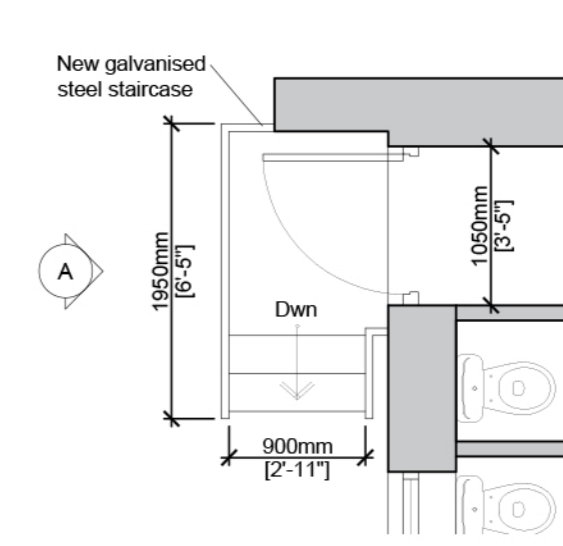


Proposed Window 2 Elevation Scale 1:50

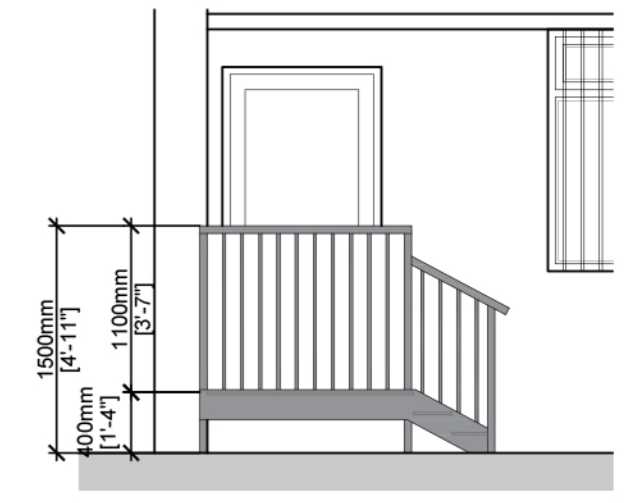


Proposed Elevation A Scale 1:50

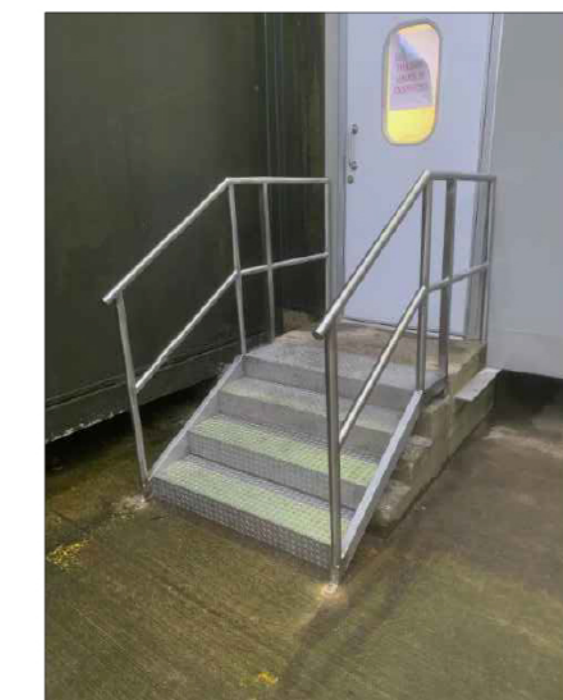
Fire Escape Stair Details:



Proposed New Stairs Plan Scale 1:50

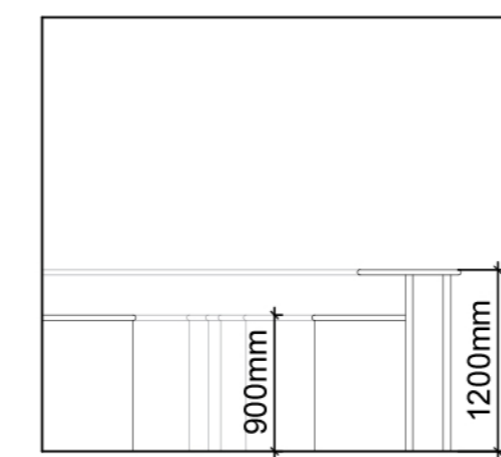


Proposed Stairs Elevation A Scale 1:50

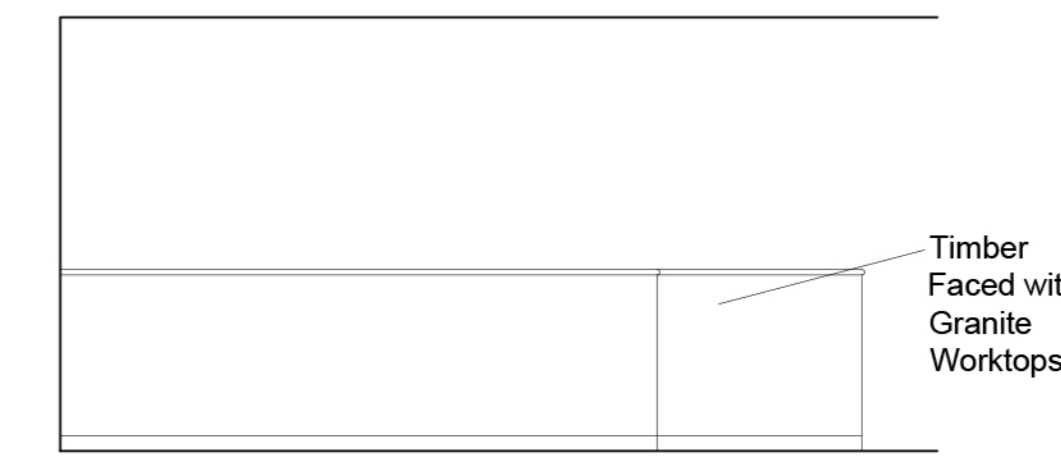


Fire Escape Stairs
Specification to be galvanised metal platform, stairs and handrail as illustrated adjacent.

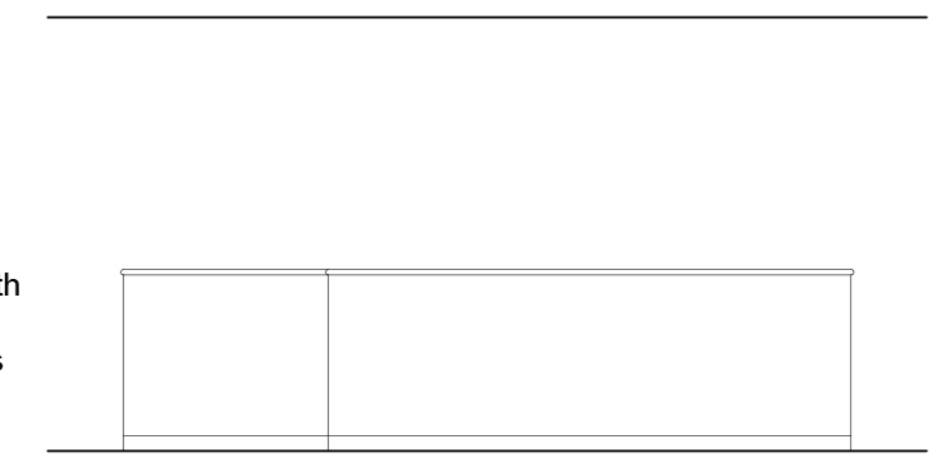
Bar Details:



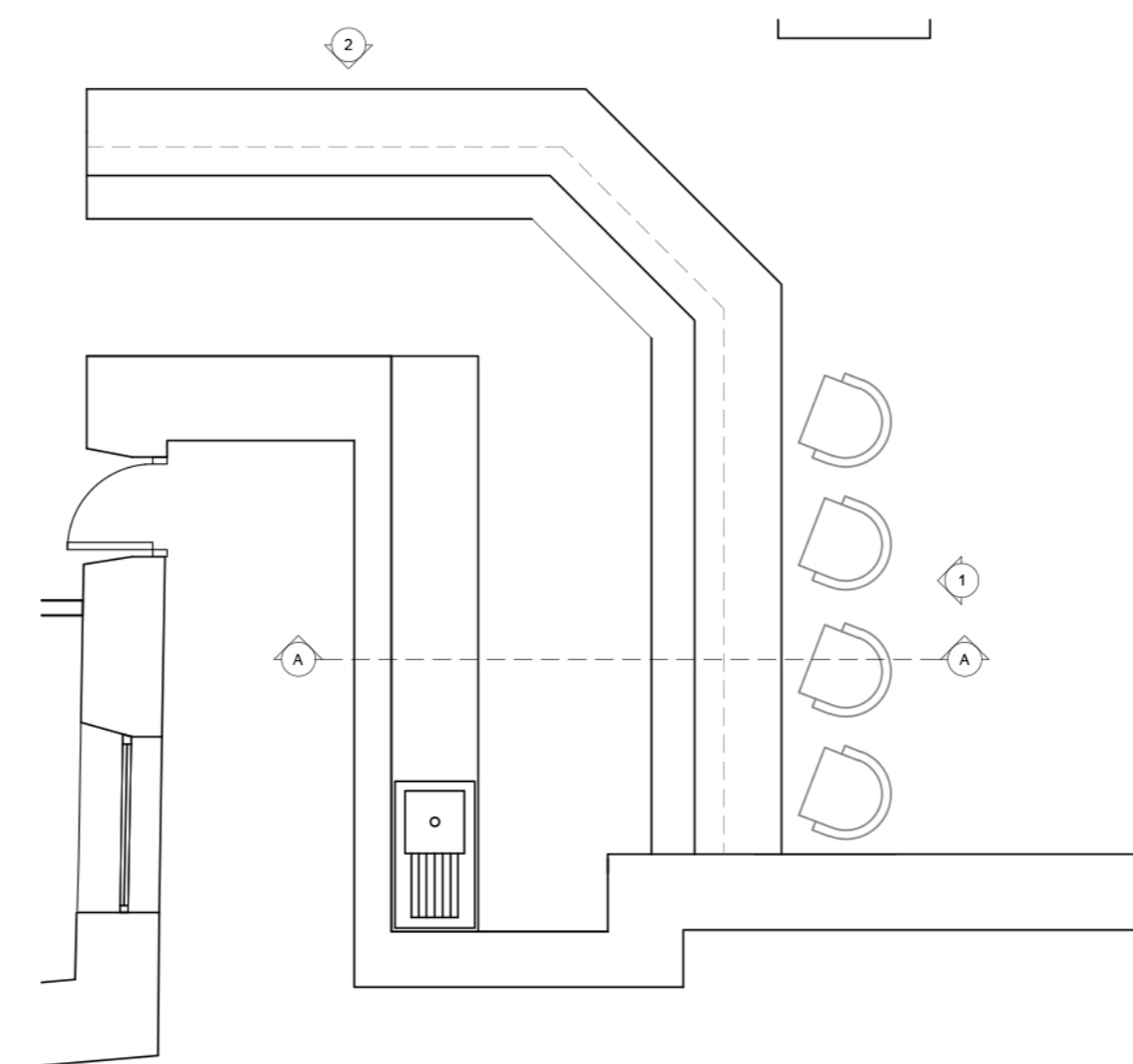
Proposed Section A-A Scale 1:50



Proposed Bar Elevation 1 Scale 1:50



Proposed Bar Elevation 2 Scale 1:50



Proposed Bar Floor Plan Scale 1:50

| | | | |
|---|------------|------------------------------------------------|-----|
| B | 02.04.2025 | Proposed new external door and screen removed. | RBM |
| A | 10.06.2024 | Fire Escape Staircase Added | BWT |

Client
Mr M Farnworth

Job Title
**Proposed Alterations to
41 Castle Street
Clitheroe**

Drawing Title
Proposed Details

| | | |
|--------------|------------|-------|
| Scale | Date | Drawn |
| Various @ A1 | April 2023 | BWT |

spa
SUNDERLAND PEACOCK ARCHITECTS

SUNDERLAND PEACOCK & ASSOCIATES LTD
HAZELBERE, PIMLICO ROAD, CLITHEROE
LANCASHIRE, BB7 2AG
T 01204 423176 F 01204 427226
E info@sunderlandpeacock.com
www.sunderlandpeacock.com

6976 - P04 REV B