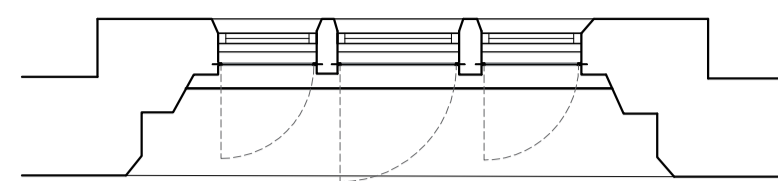


**Secondary Glazing Details:**

0 1 2 3m  
1:50 scale

This drawing is to be read in conjunction with all relevant Architect, consultants' and specialist drawings and specifications. The Architect is to be notified of any discrepancies before proceeding. Do not scale from this drawing. All dimensions and levels are to be checked on site. This drawing is subject to copyright. All work carried out before Planning and Building Permission has been granted is at the contractor/client's risk.

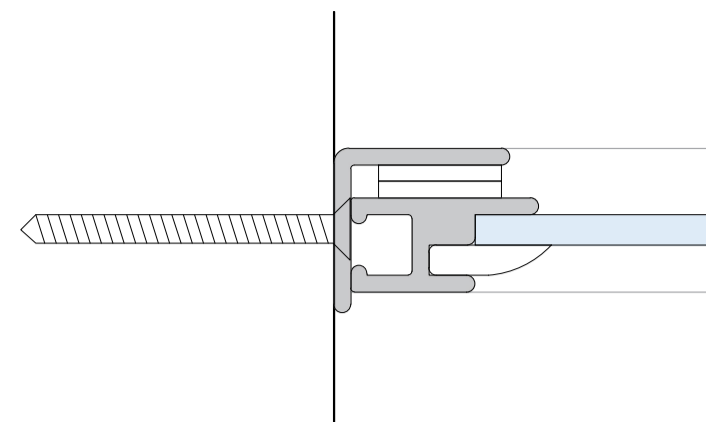
Note: proposed drawing based on OS map information. All illustrated dimensions are approximate and all site dimensions are to be checked on site and subject to site survey.



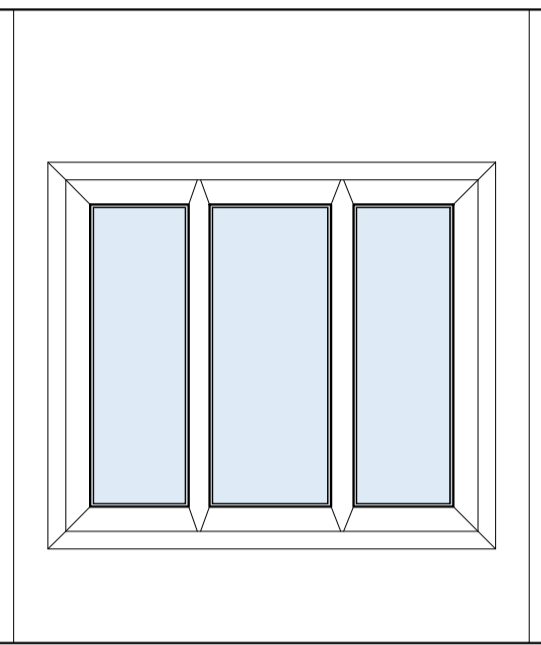
Proposed Window 1 Plan Scale 1:50



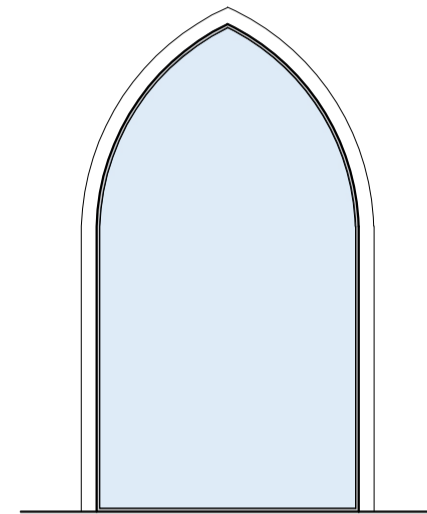
Proposed Window 2 Plan Scale 1:50



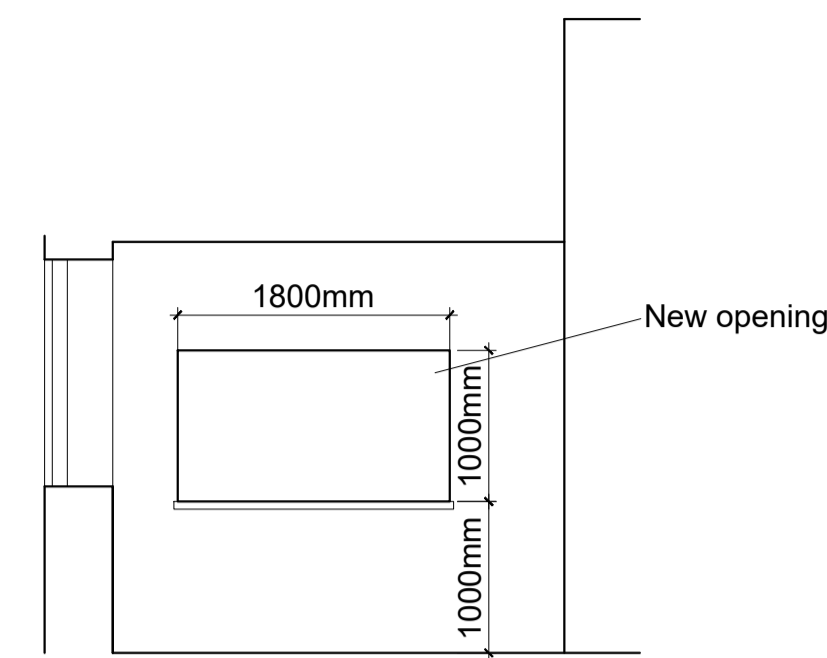
Proposed Frame Detail Scale 1:1



Proposed Window 1 Elevation Scale 1:50

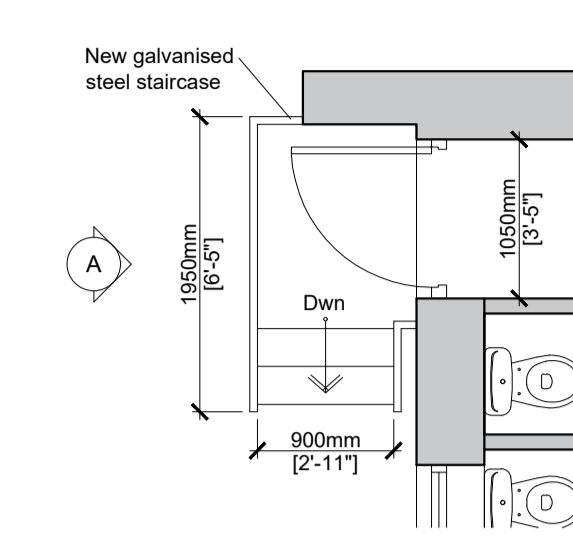


Proposed Window 2 Elevation Scale 1:50

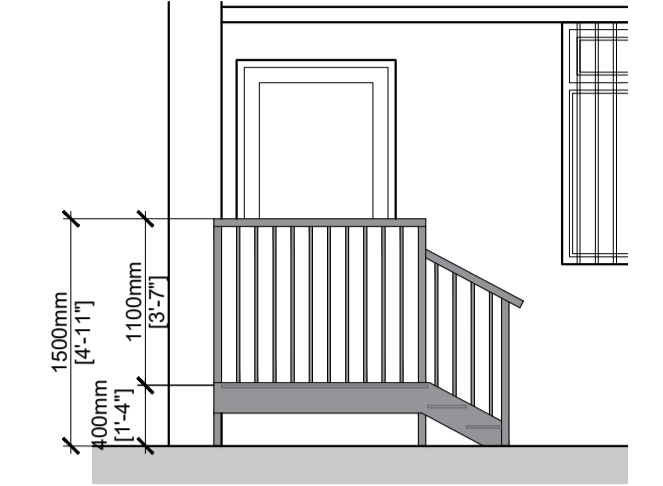


Proposed Elevation A Scale 1:50

**Fire Escape Stair Details:**



Proposed New Stairs Plan Scale 1:50

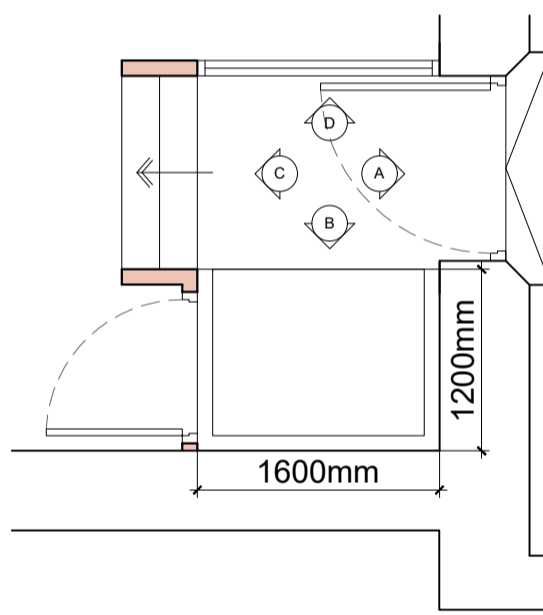


Proposed Stairs Elevation A Scale 1:50

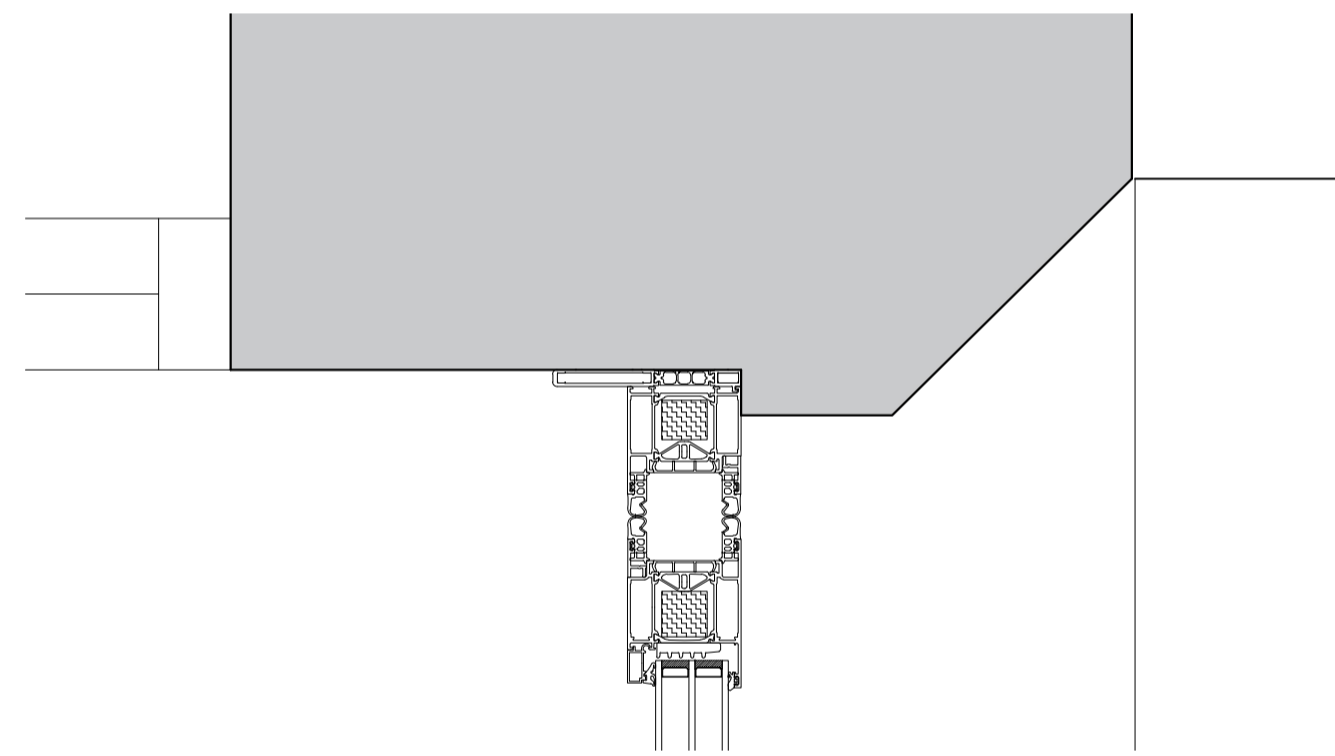


**Fire Escape Stairs**  
Specification to be galvanised metal platform, stairs and handrail as illustrated adjacent.

**Entrance / Lift Details:**

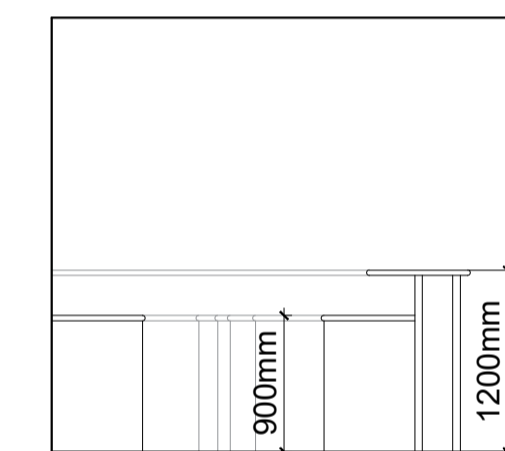


Proposed Entrance Lobby Plan Scale 1:50

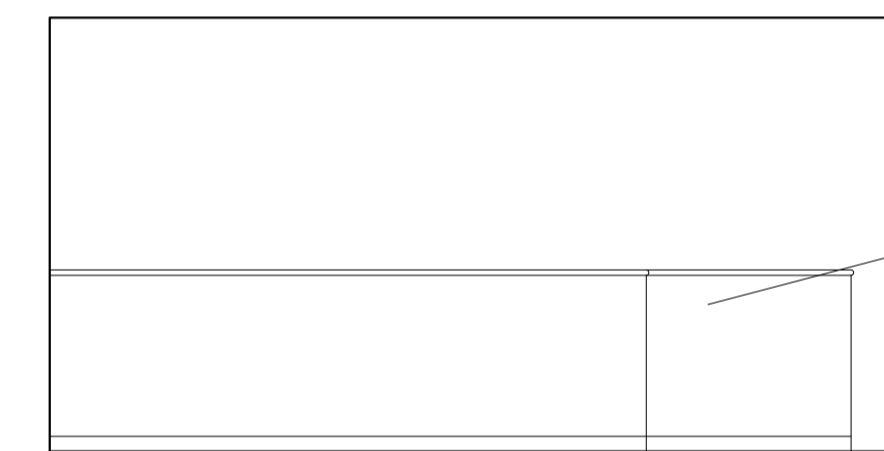


Proposed Entrance Door Detail Scale 1:5

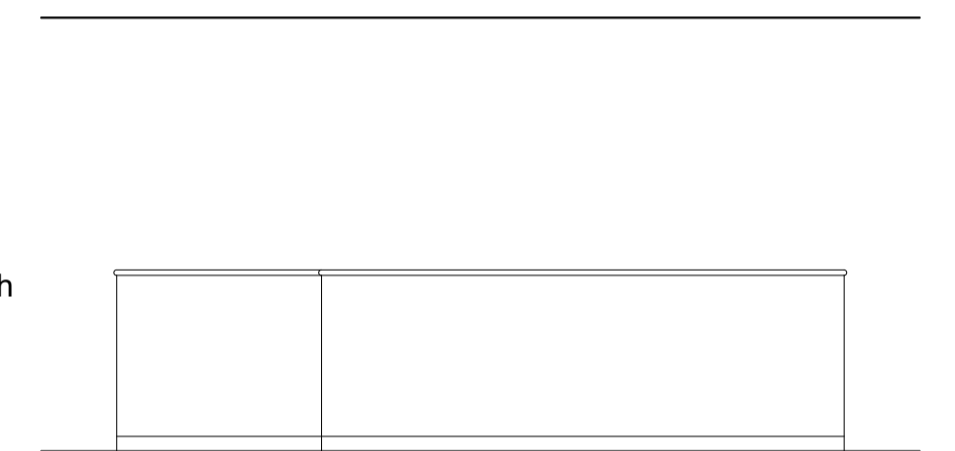
**Bar Details:**



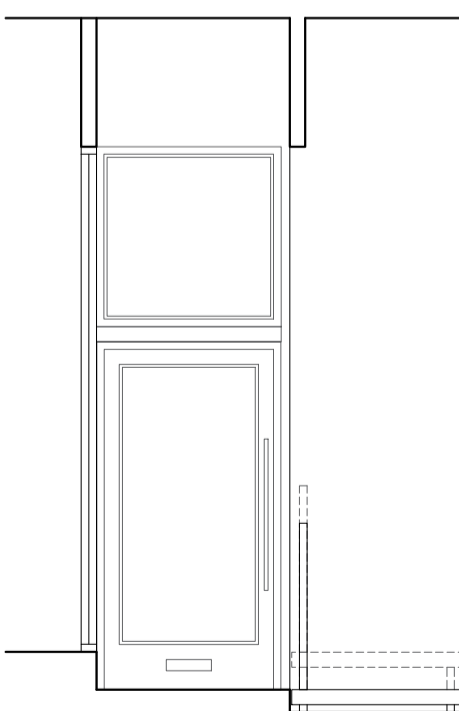
Proposed Section A-A Scale 1:50



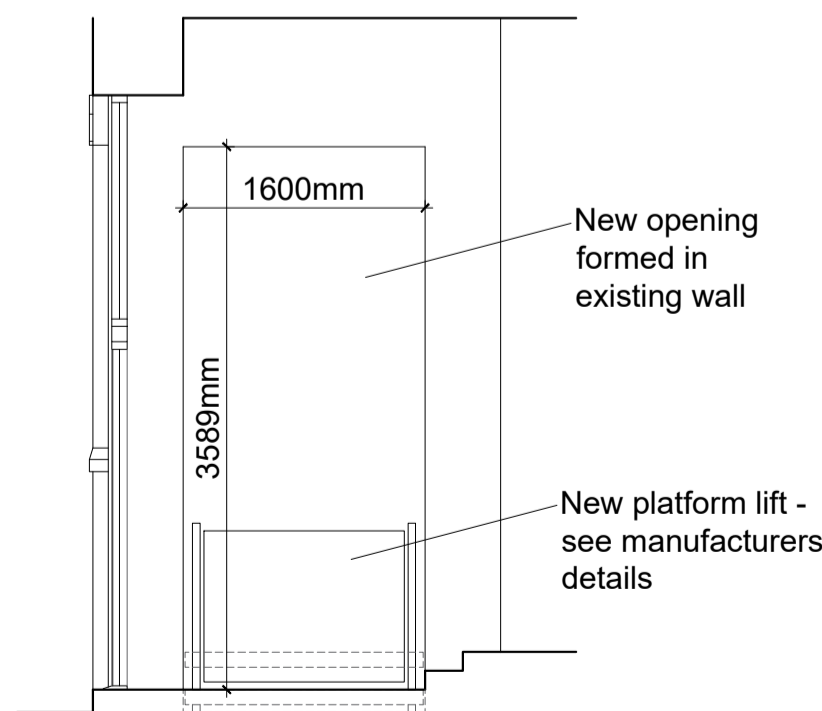
Proposed Bar Elevation 1 Scale 1:50



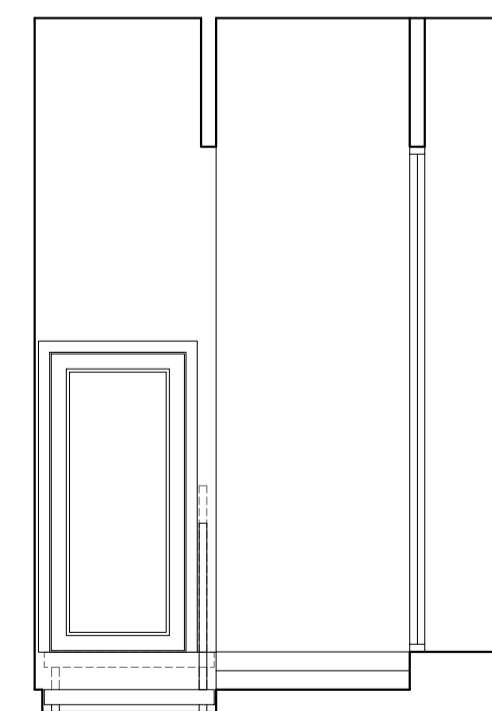
Proposed Bar Elevation 2 Scale 1:50



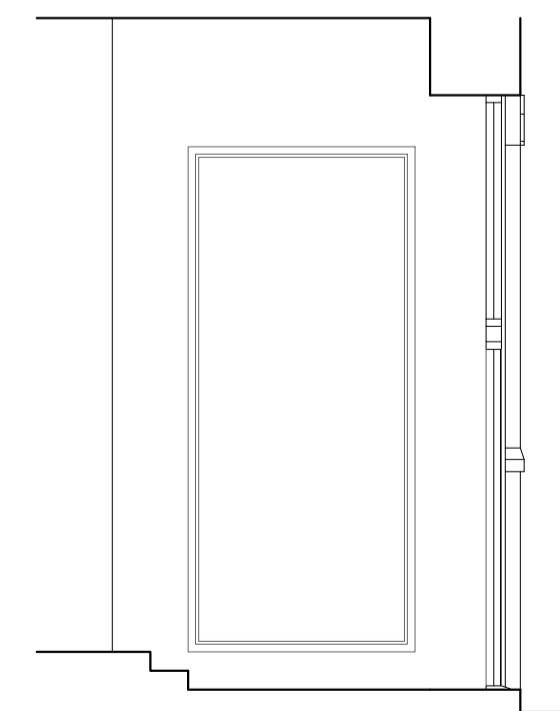
Proposed Elevation A Scale 1:50



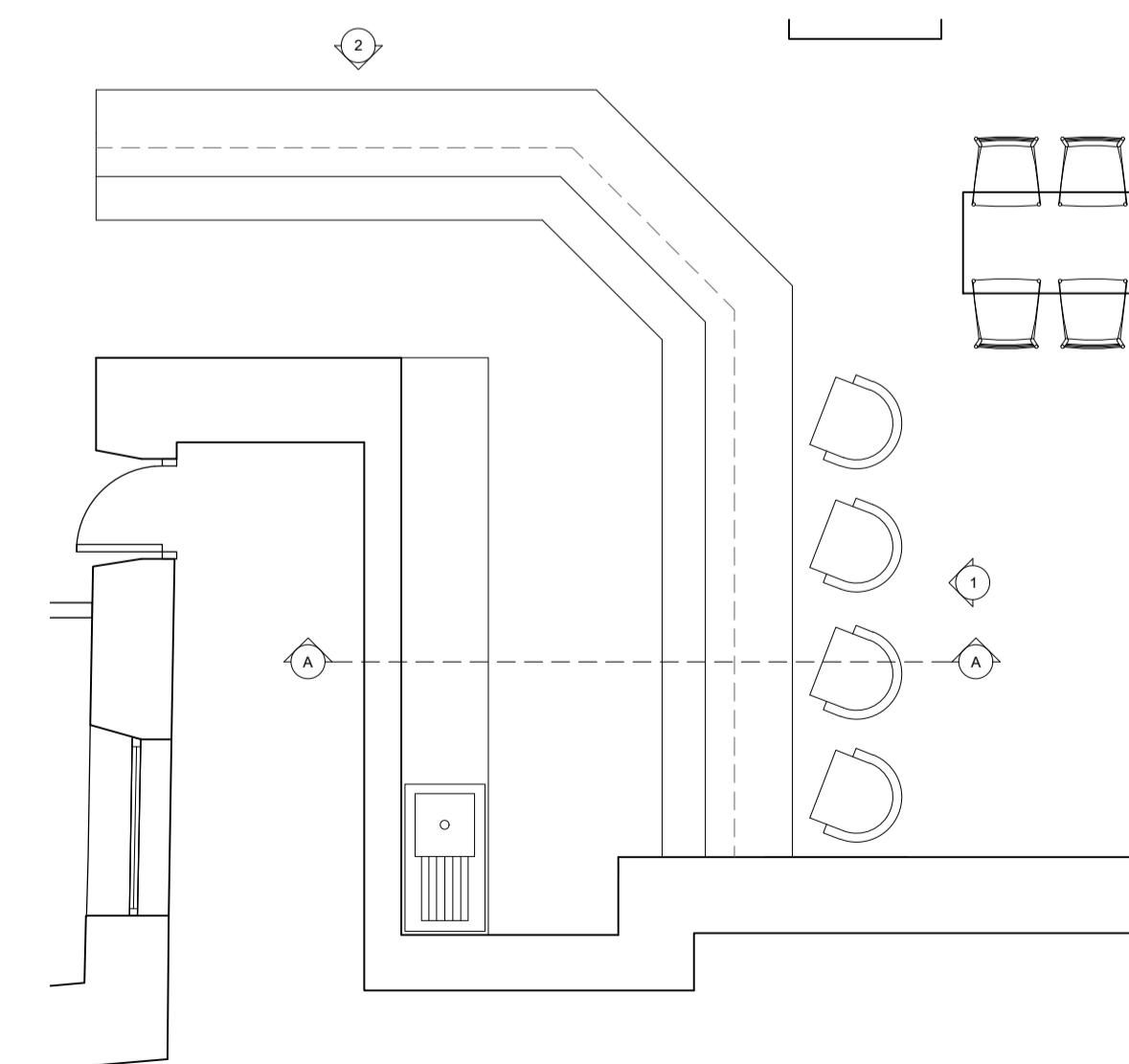
Proposed Elevation B Scale 1:50



Proposed Elevation C Scale 1:50



Proposed Elevation D Scale 1:50



Proposed Bar Floor Plan Scale 1:50

A 10.06.2024 Fire Escape Staircase Added BWT

Client  
**Mr M Farnworth**

Job Title  
**Proposed Alterations to  
41 Castle Street  
Clitheroe**

Drawing Title  
**Proposed Details**

Scale Date Drawn  
**Various @ A1 April 2023 BWT**

**spa**  
SUNDERLAND PEACOCK & ASSOCIATES LTD.  
HAZELMERE, PEARCE ROAD, CLITHEROE  
LANCASHIRE, BB7 2AG  
T 01200 423178 F 01200 427328  
E info@sunderlandpeacock.com  
www.sunderlandpeacock.com

**6976 -P04** REV A