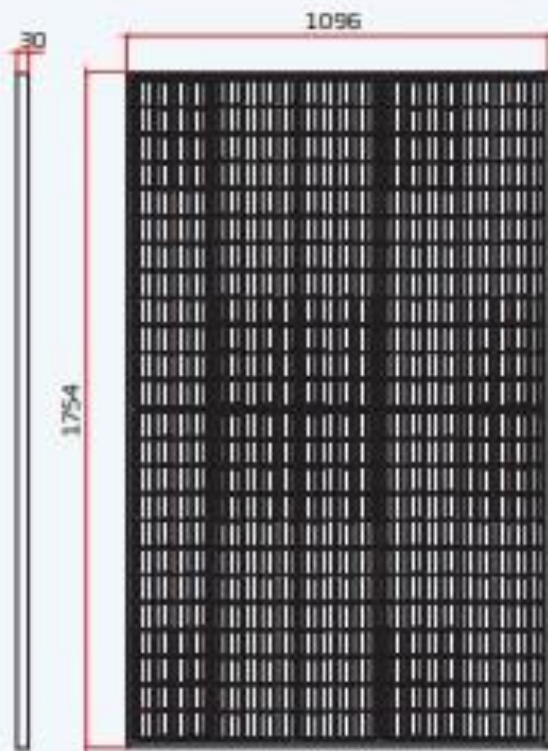
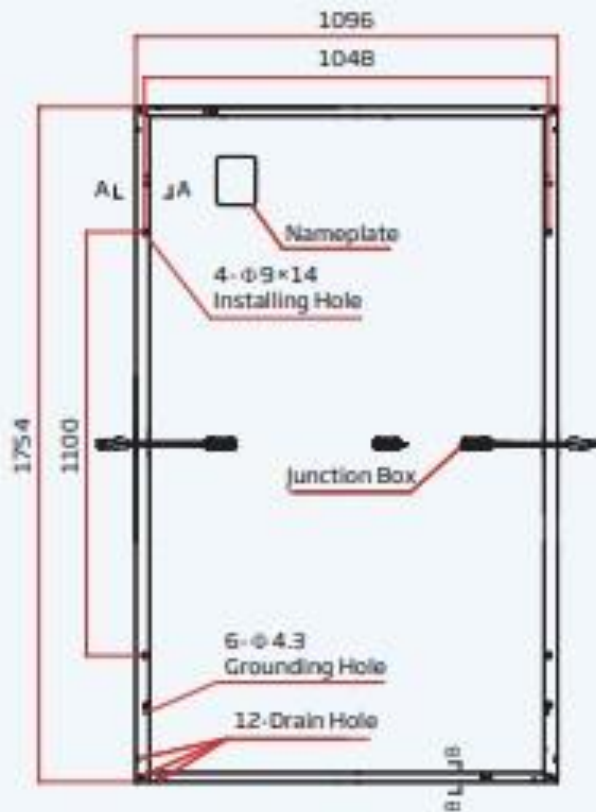


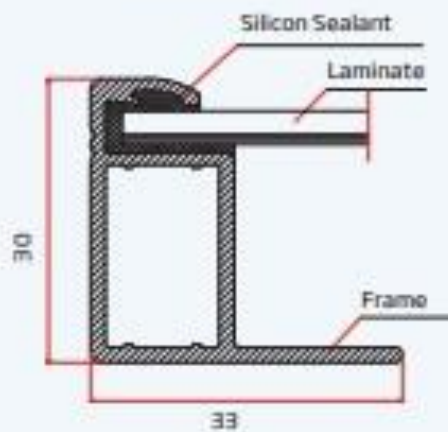
## DIMENSIONS OF PV MODULE(mm)



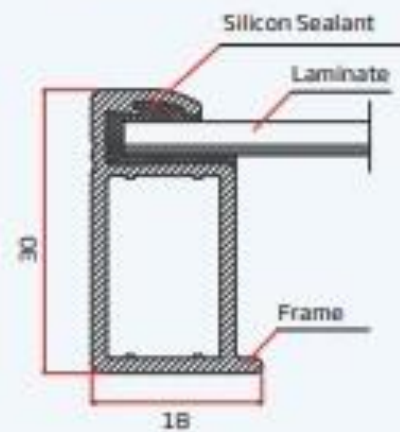
Front View



Back View



A-A



B-B