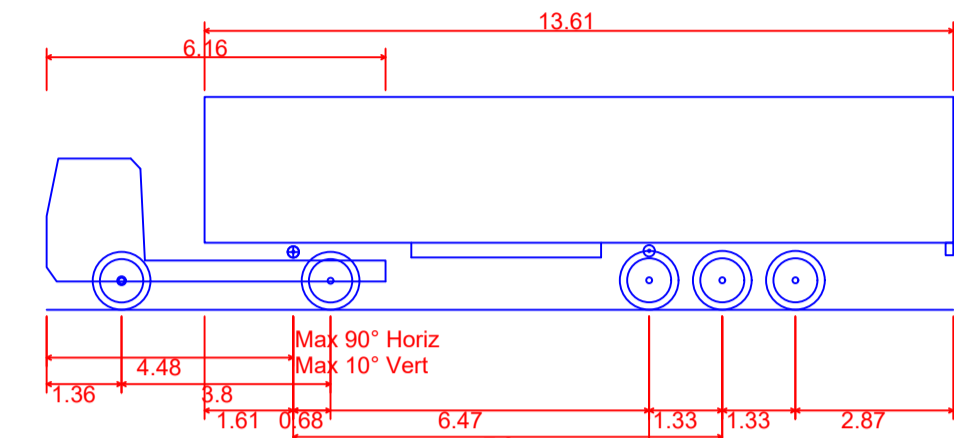


Vehicle Used in the Swept Path Analysis



FTA Design Articulated Vehicle (2016)

Overall Length	13.61m
Overall Width	2.550m
Overall Body Height	3.870m
Min Body Ground Clearance	0.515m
Max Track Width	2.470m
Lock to lock time	3.00s
Kerb to Kerb Turning Radius	6.600m

Notes

1. Give Way to oncoming vehicles proposed on the approach into the yard.
2. Give way markings proposed on the approach into the yard.

Revisions

Client

Mr Forshaw



Scheme

Bolton Fold Farm

Title

Vehicle Tracking into the Site with Articulated Vehicle

Drawn	Checked	Date
N.Peet	M.Peet	28.11.2024
Project	Drawing No	Scale
590-24	590-24-3	1:500 @ A1