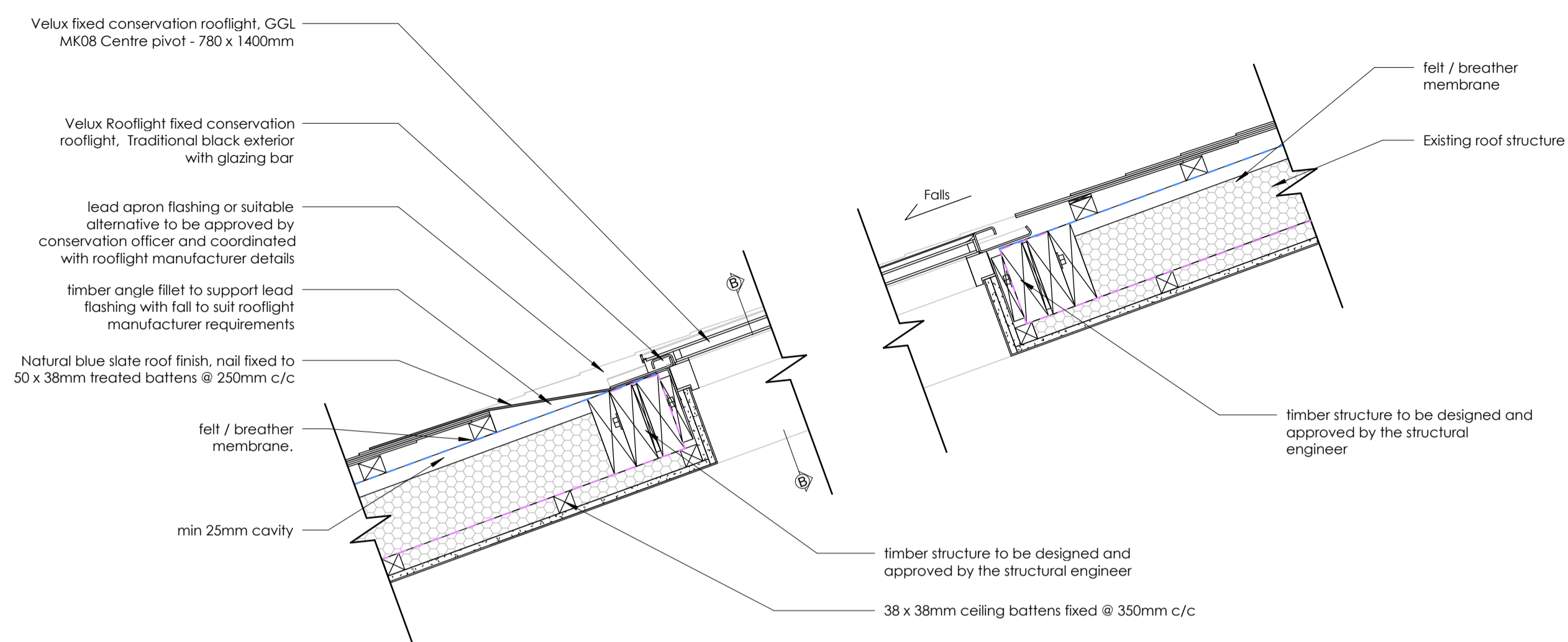
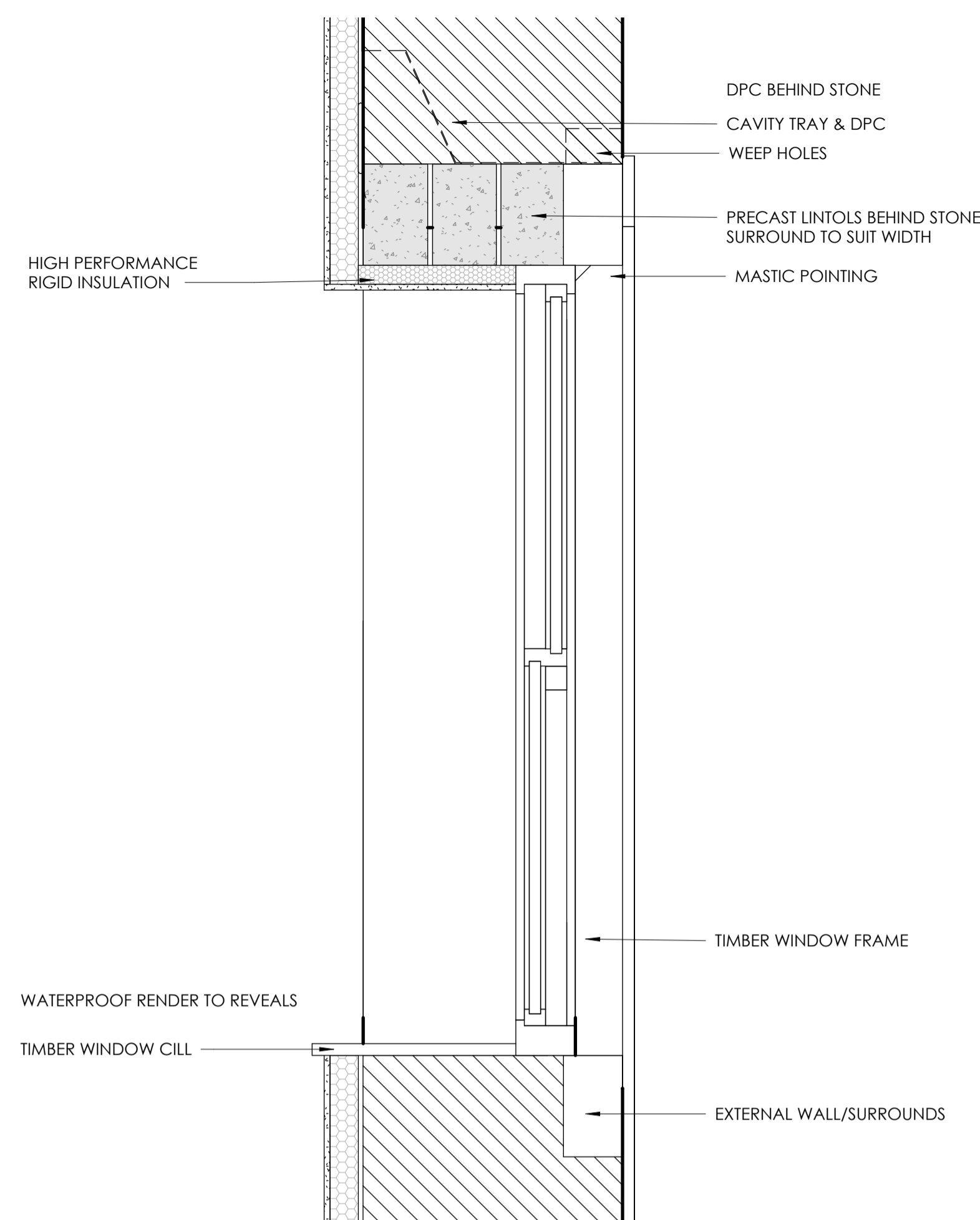


NOTES:

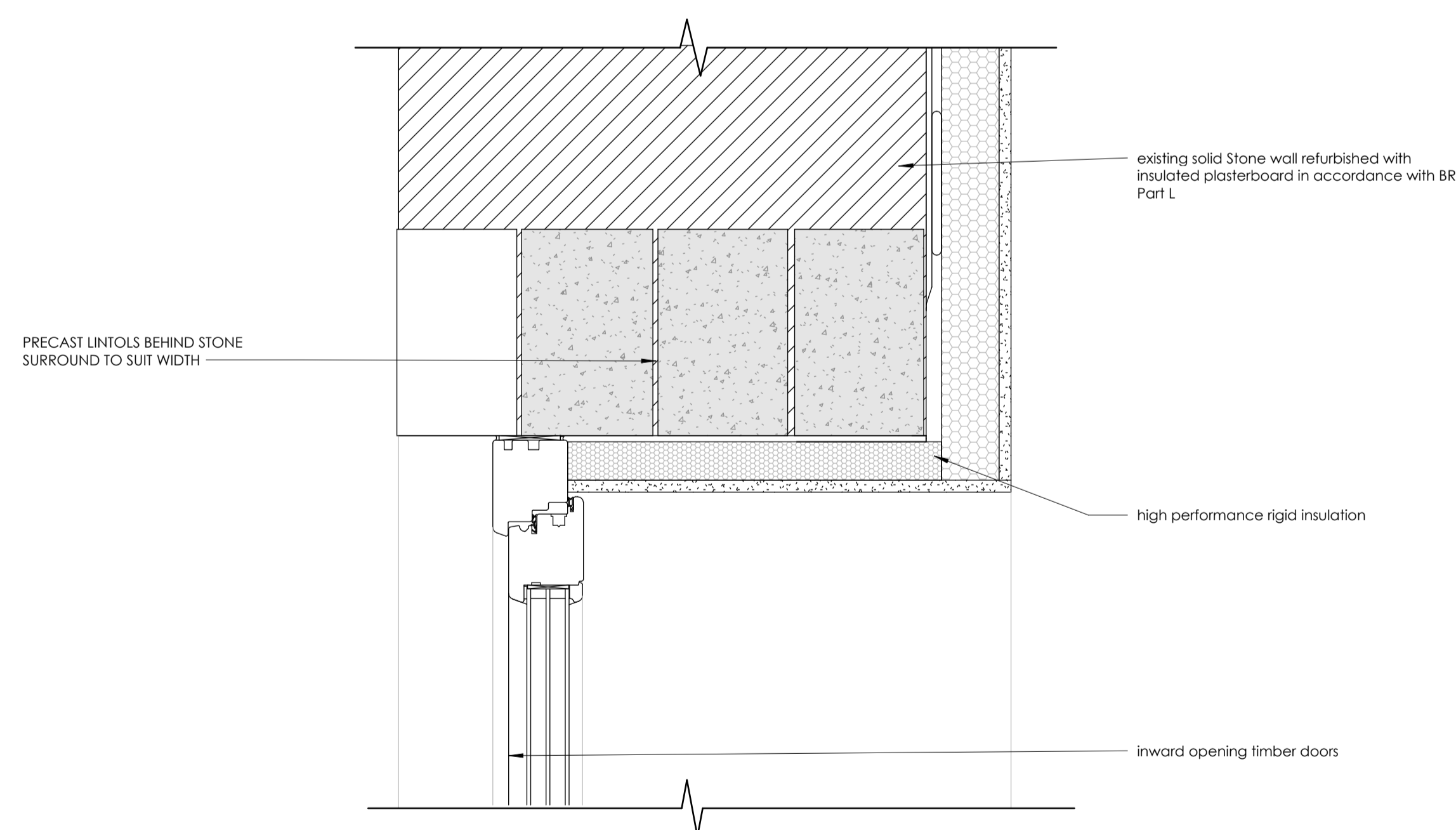


INTERGRATED CONSERVATION
ROOFLIGHT DETAIL ON NATURAL
SLATE FINISHED ROOF

3
Rooflight detail
1 : 10

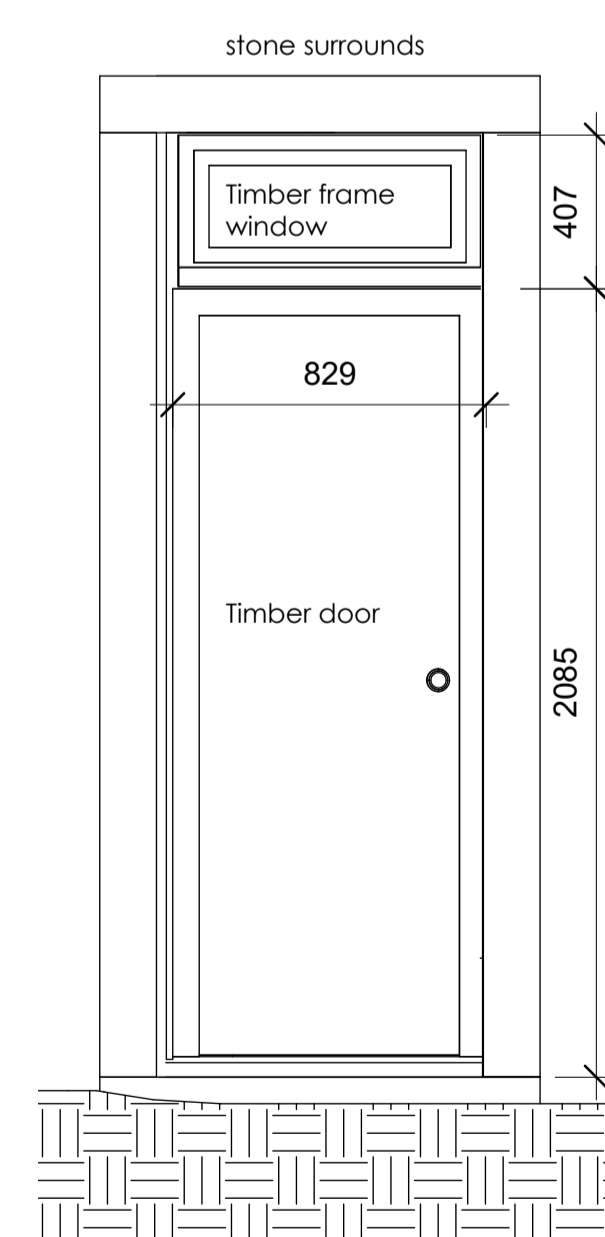


1
Window details
1 : 10

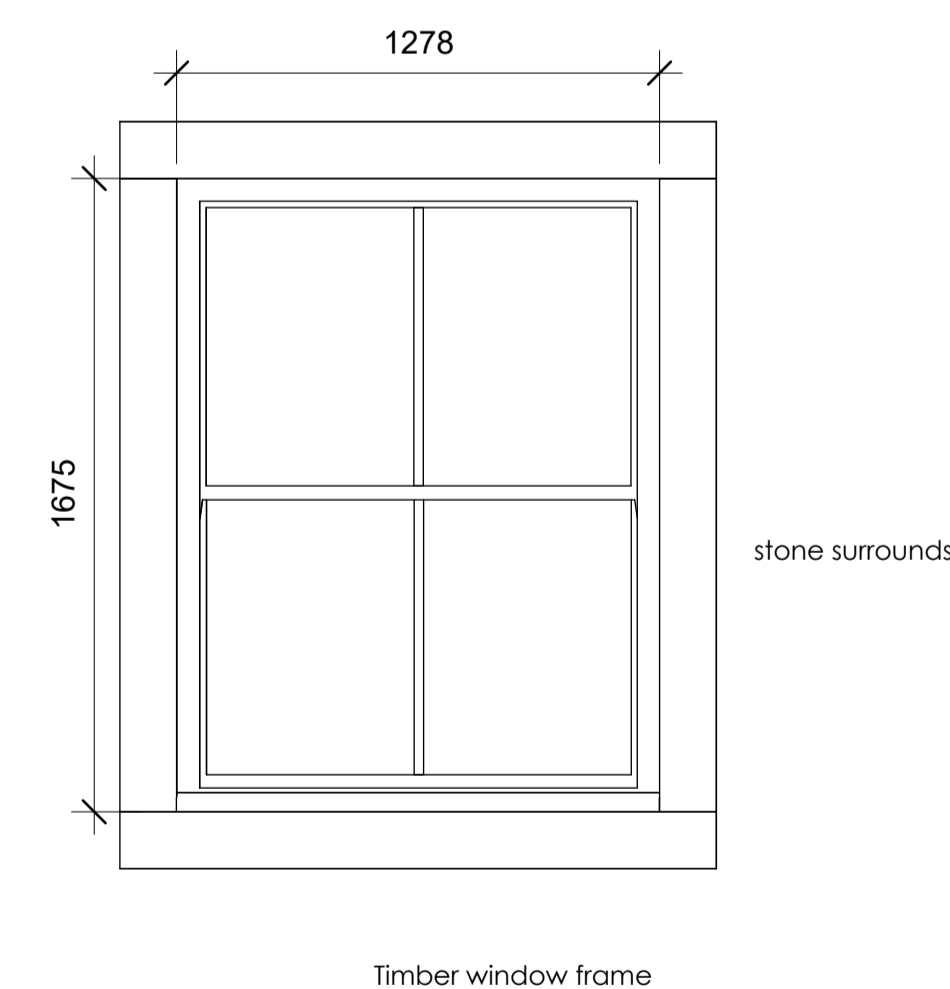


Timber door within existing
550mm masonry wall - head
section

2
Door Detail
1 : 5



5
Door elevation
1 : 20



4
Window Elevation
1 : 20

No.	Description	Date

CLIENT: Branleigh Homes
5 Church Street
Clitheroe
Lancashire
BB7 2DD

PROJECT: 16-18 Lowergate
Clitheroe
Lancashire
BB7 1AD

SHEET:
Proposed Window & Door details

Project number	PHA/840
Date	01/10/2024
Drawn by	AW
Checked by	PH

A4.2

Scale	As indicated
Sheet size	A1