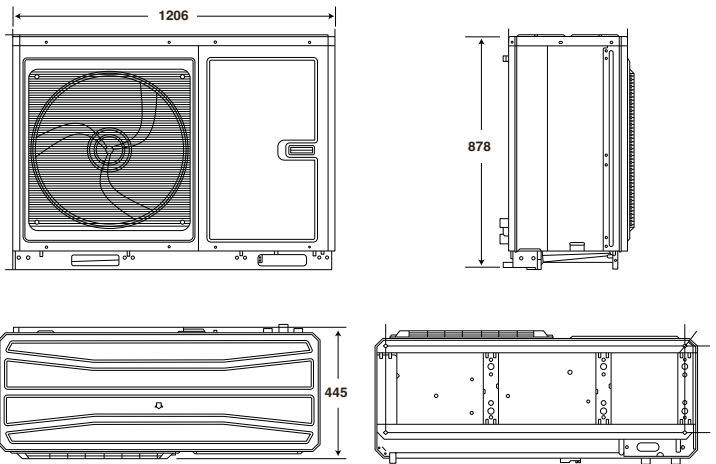




Rothesay Datasheet

Air Source Heat Pump

Product Name		Rothesay
Product Number		GRS-CQ8.0Pd/NhG3-E
Heat Pump Space Heater - 55 °C	ErP Rating	A++
	SSHEE ² (η _{SE})	145%
	SCOP	3.51
Heat Pump Space Heater - 35 °C	ErP Rating	A+++
	SSHEE ² (η _{SE})	177%
	SCOP	4.22
Heat pump Combination Heater - Extra large Profile	ErP Rating	A
	SSHEE ² (η _{SE})	123%
Heating (Air -3°C / Water 35°C)	Rated Output (kW)	8.6
	Power Consumption (kW)	2.8
	COP	3.1
Maximum Outlet Temperature (°C)		65
Weight (kg)		127
Heat Pump Voltage / Frequency		230V AC 50Hz
Max Running Current (A) Compressor / Booster		23 / 26
Max Electrical Power (kW) Compressor / Booster		5.3 / 6.0
Sound Pressure Level @ 1m (dba) ^{+1,3}		56
Operating Ambient Temperature (°C)		-20 / +30
Maximum Starting Current (A)		40

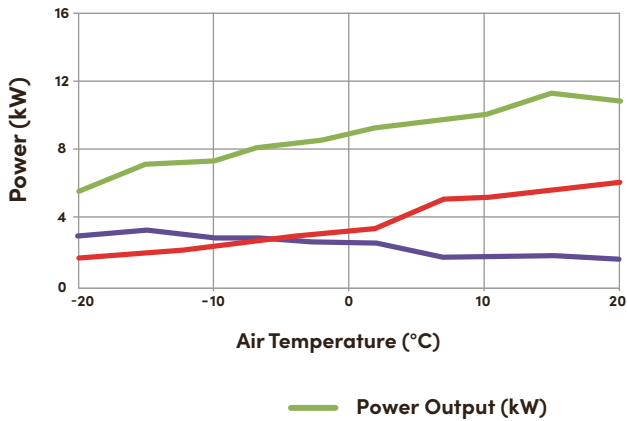


Model	H	W	D
Rothesay	878	1206	445

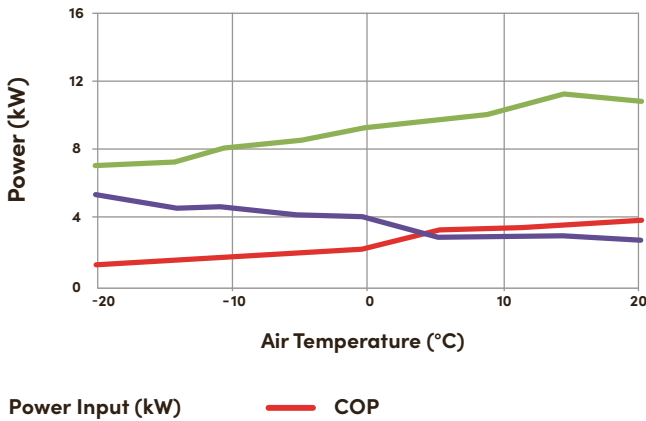
All sizes in mm

*1 - Tested at outdoor temp 7°C DB/ 6°C WB, Inlet / Outlet water temp 30/35°C as per BS EN 14511.
 *2 - Seasonal Space Heating Energy Efficiency
 *3 - Sound power level is 68dBA as tested to BS EN 12102

Rothesay Performance at 35°C Outlet Temperature



Rothesay Performance at 55°C Outlet Temperature



For more information please visit:
www.globalenergysystems.co.uk
 or call us on 03333 444 414

