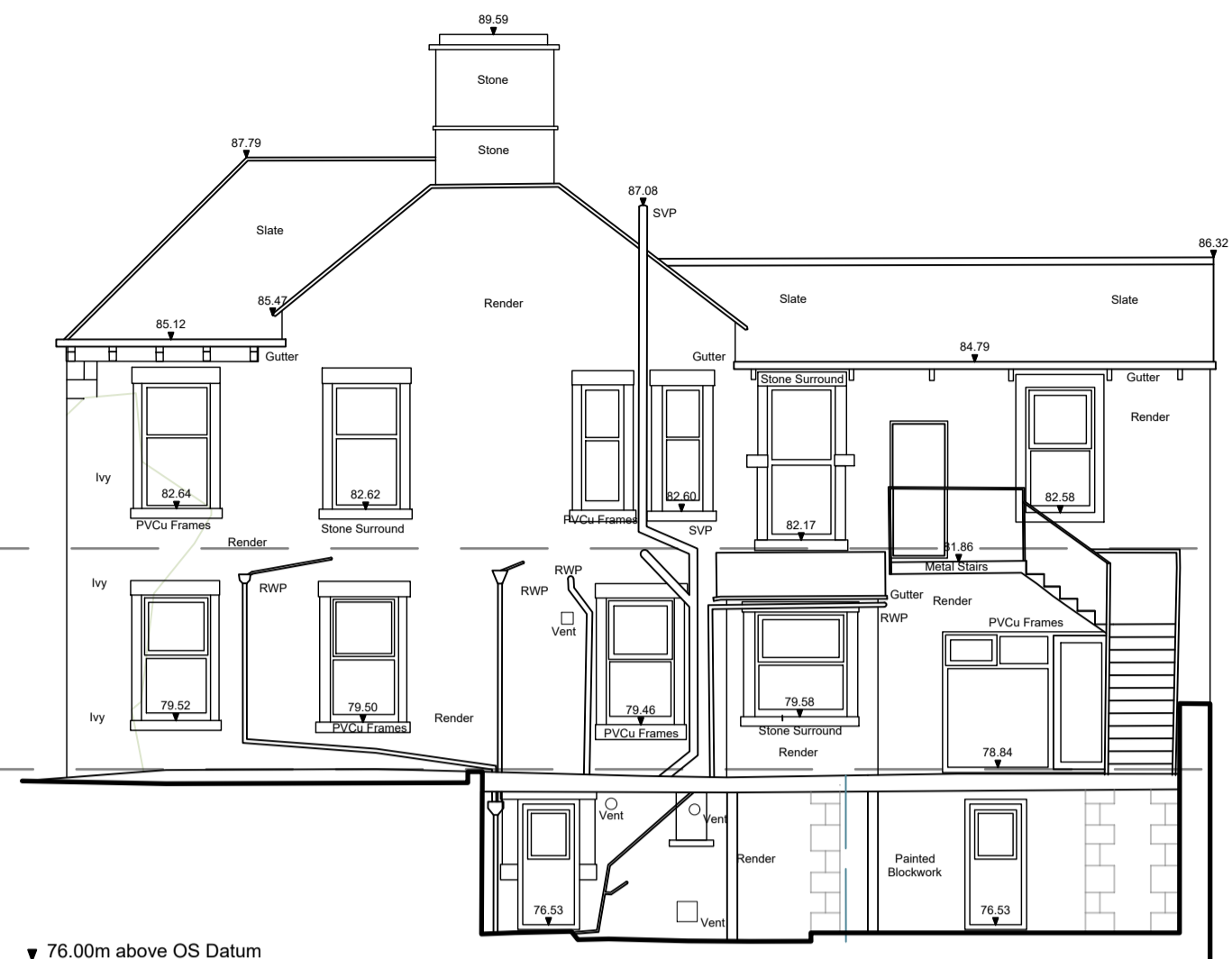
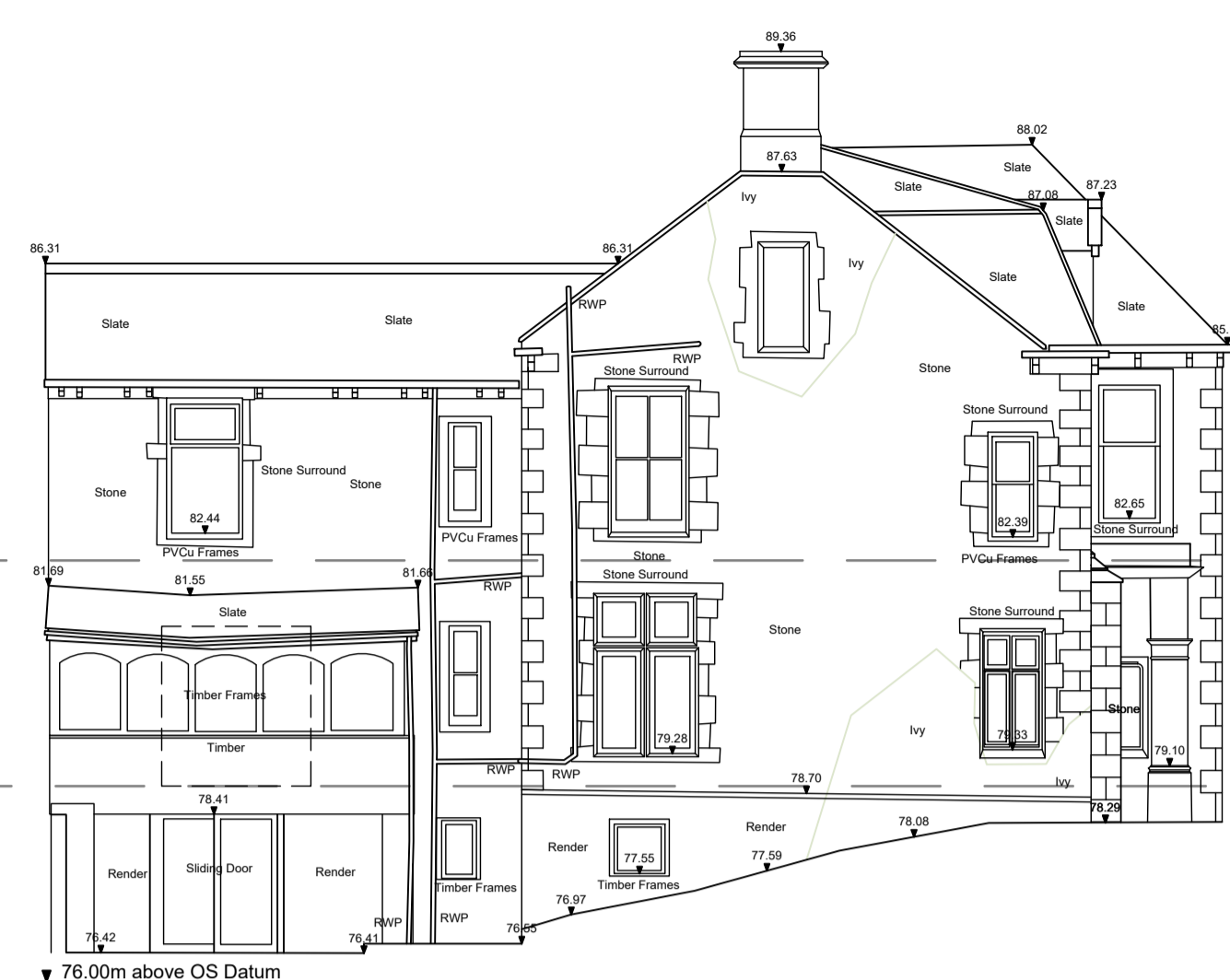


EXISTING ELEVATIONS



South West Elevation

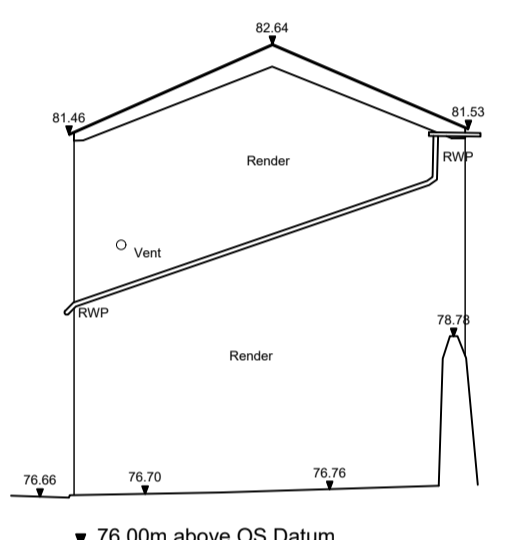


North East Elevation

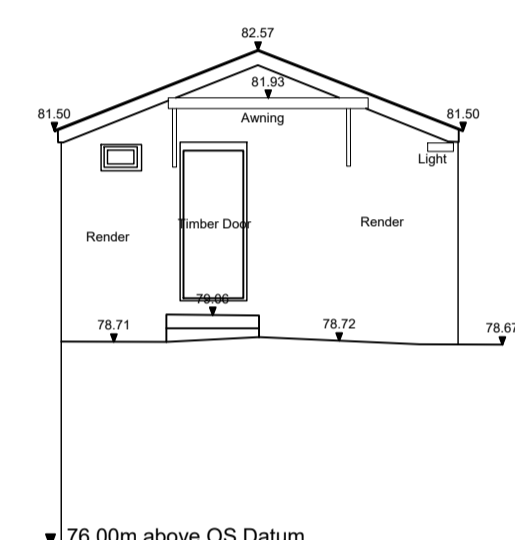


North West Elevation

North West Elevation



South West Elevation



North East Elevation

PROPOSED ELEVATIONS



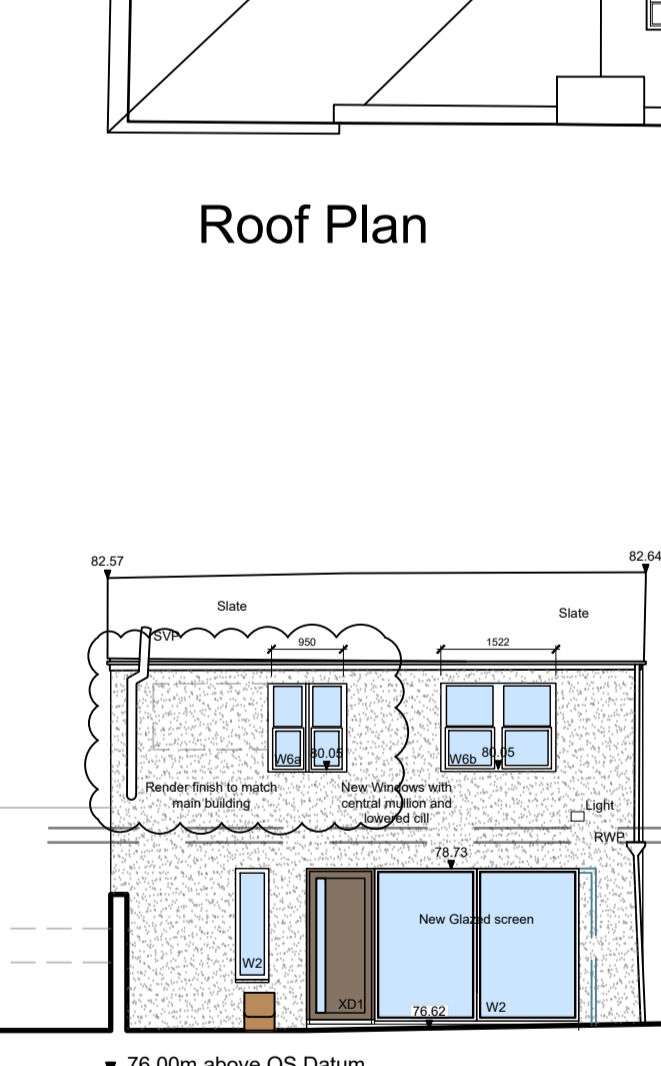
South West Elevation



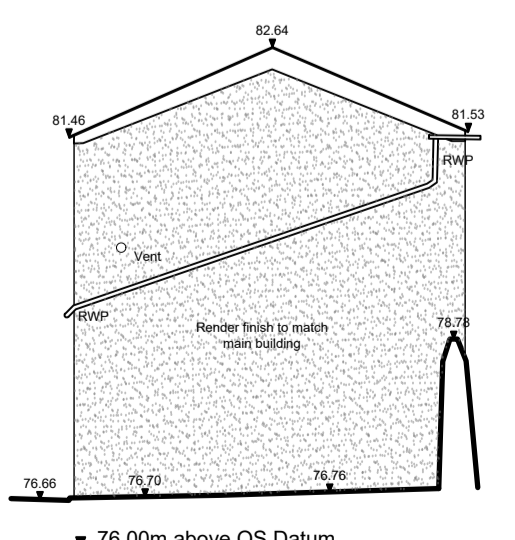
North East Elevation



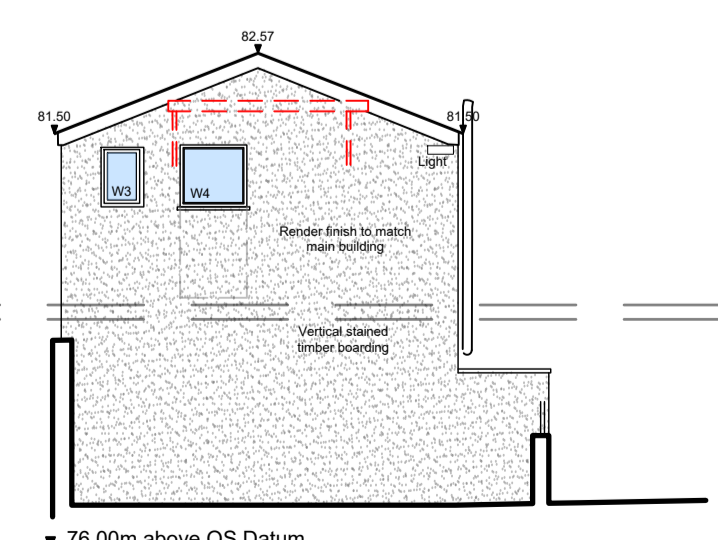
North West Elevation



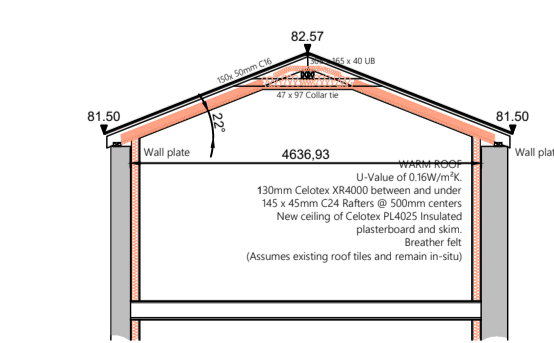
North West Elevation



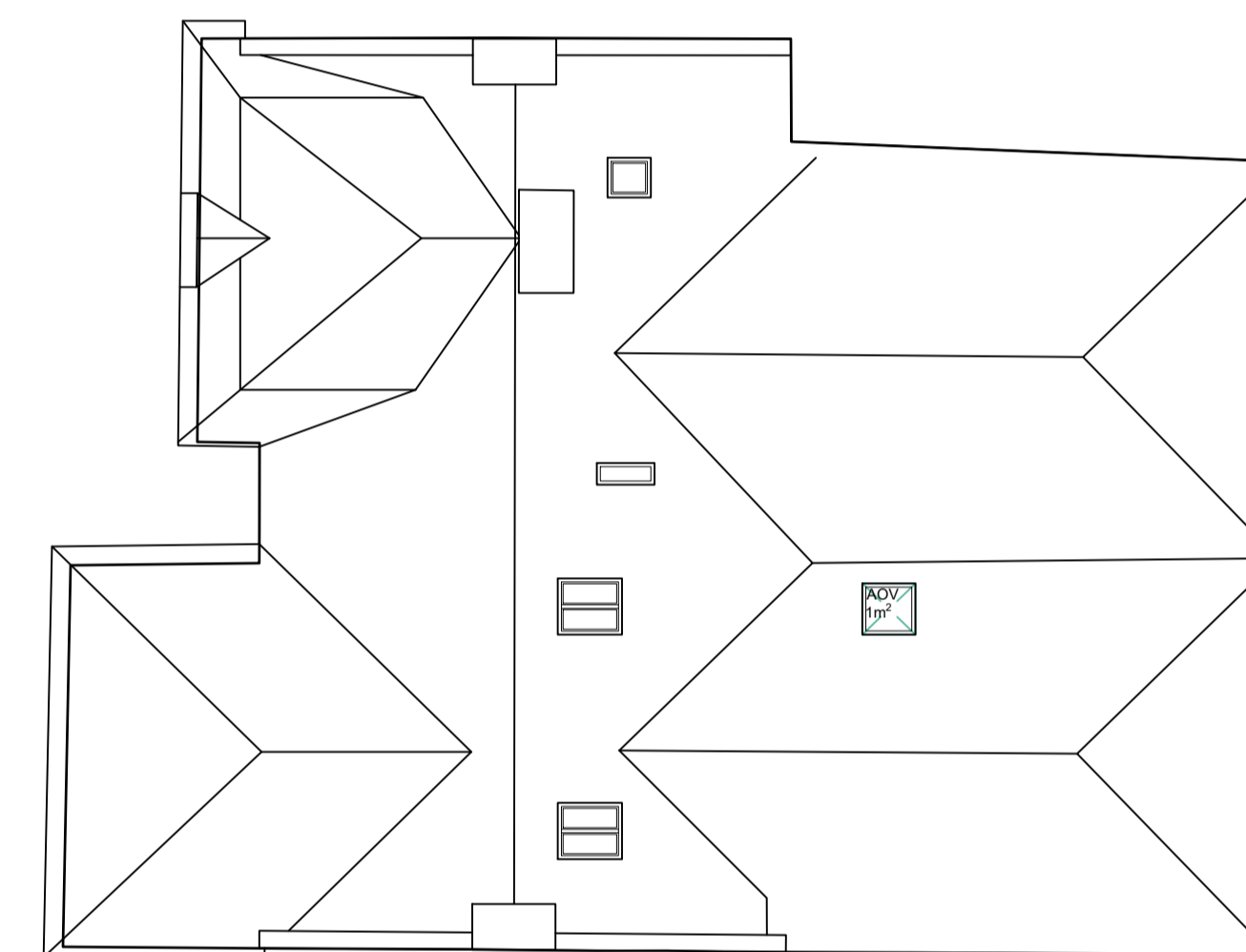
South West Elevation



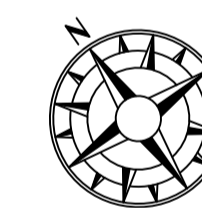
North East Elevation



Flat 1 Roof Section



Roof Plan



NOTES AND AMENDMENTS

This drawing is copyright ©. Figured dimensions are to be followed in preference to scaled dimensions and particulars are to be taken from the actual work where possible. Any discrepancy must be reported to the architect immediately and before proceeding.

REVISIONS

Rev	Description	Drawn	Date
C	Window alterations	AJB	18.09.24
D	Window alterations	AJB	23.09.24
E	Garage Roof	AJB	14.10.24
F	Plan Check	AJB	01.11.24
G	Windows	AJB	05.11.24
H	Windows	AJB	04.12.24
J	Windows	AJB	07.02.25
K	Windows	AJB	11.02.25

ASHWOOD
DESIGN ASSOCIATES LTD

Unit Gb, Clifford Court
Cooper Way
Carlisle
CA3 0JG

01228 510616
admin@ashwooddesign.co.uk
www.ashwooddesign.co.uk

Purpose:
BUILDING REGULATIONS

Client:
CJP North West

Project:
Rossendale House
Conversion to flats

Title:
As Existing and Proposed
Elevations

Scale:	Sheet Size:	Drawn:	Date:
1/100	A1	AJB	05-24
Project No:	Drawing No:	Revision:	
2222	210	L	