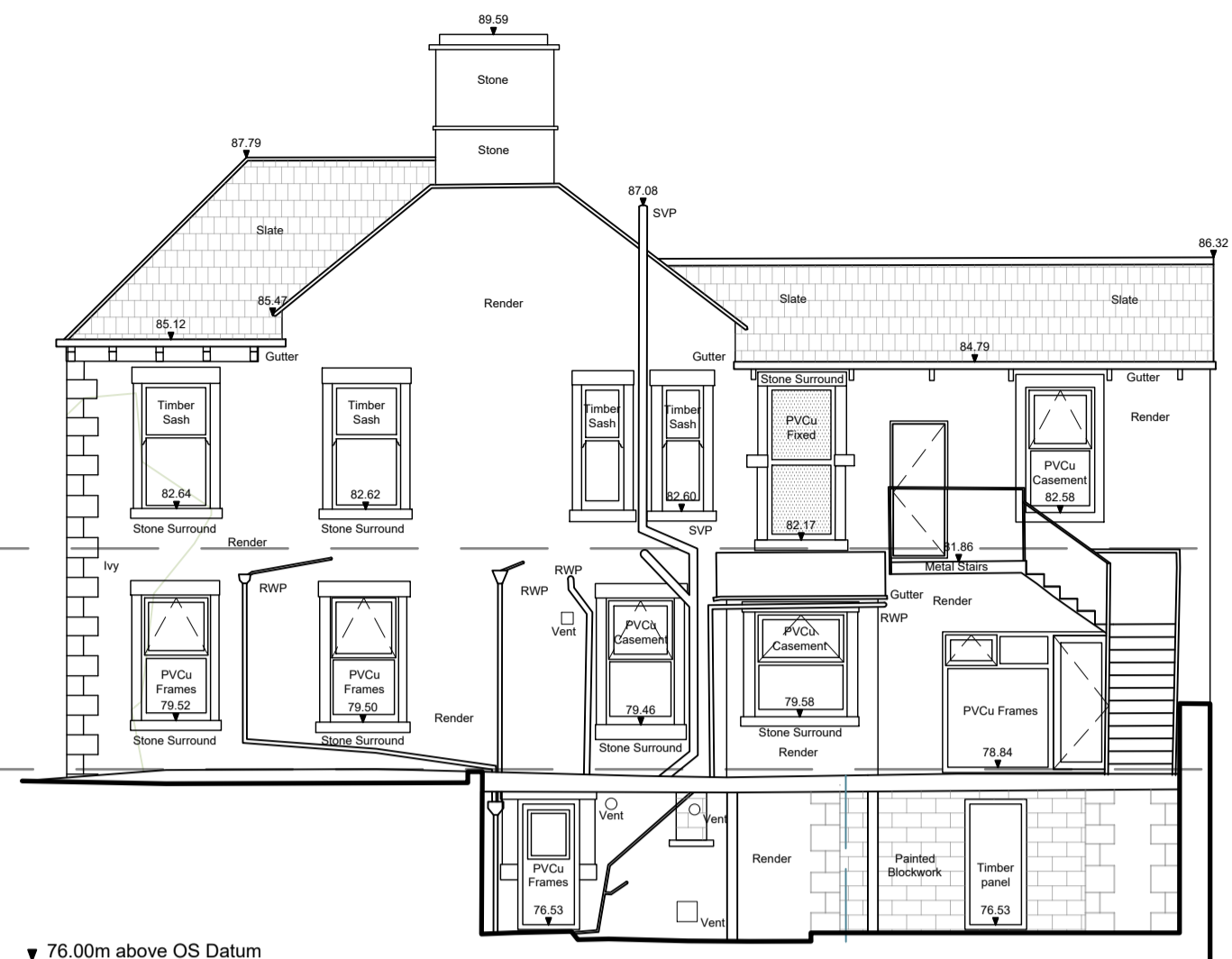
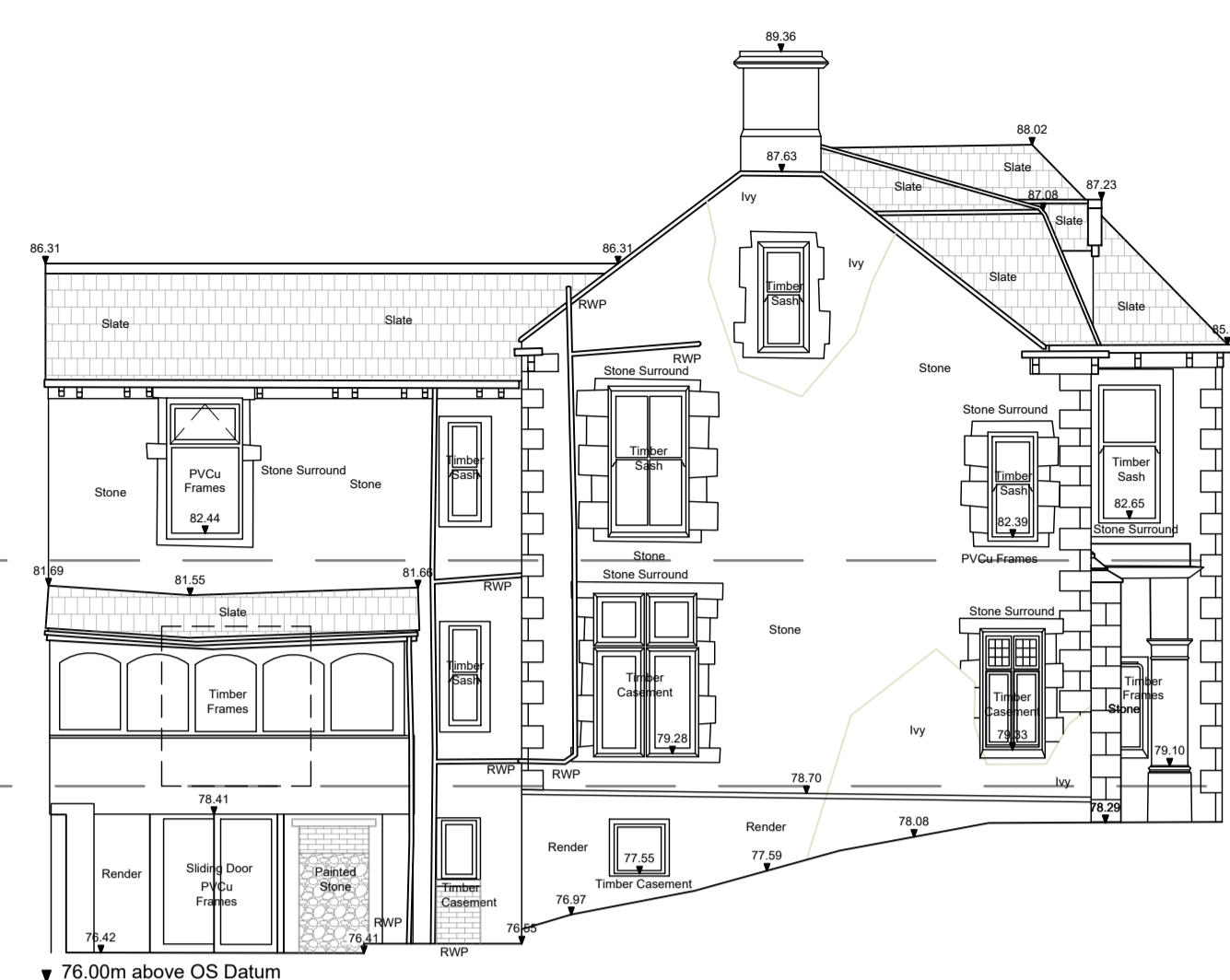


**EXISTING ELEVATIONS**



South West Elevation

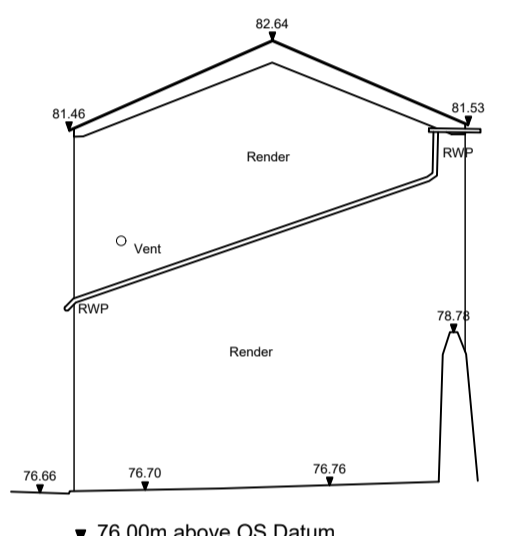


North East Elevation

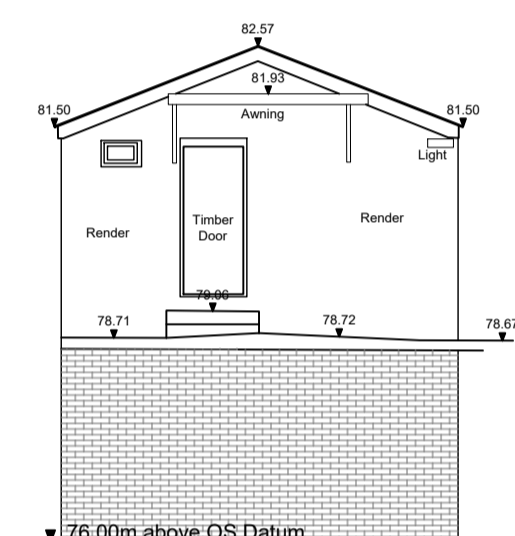


North West Elevation

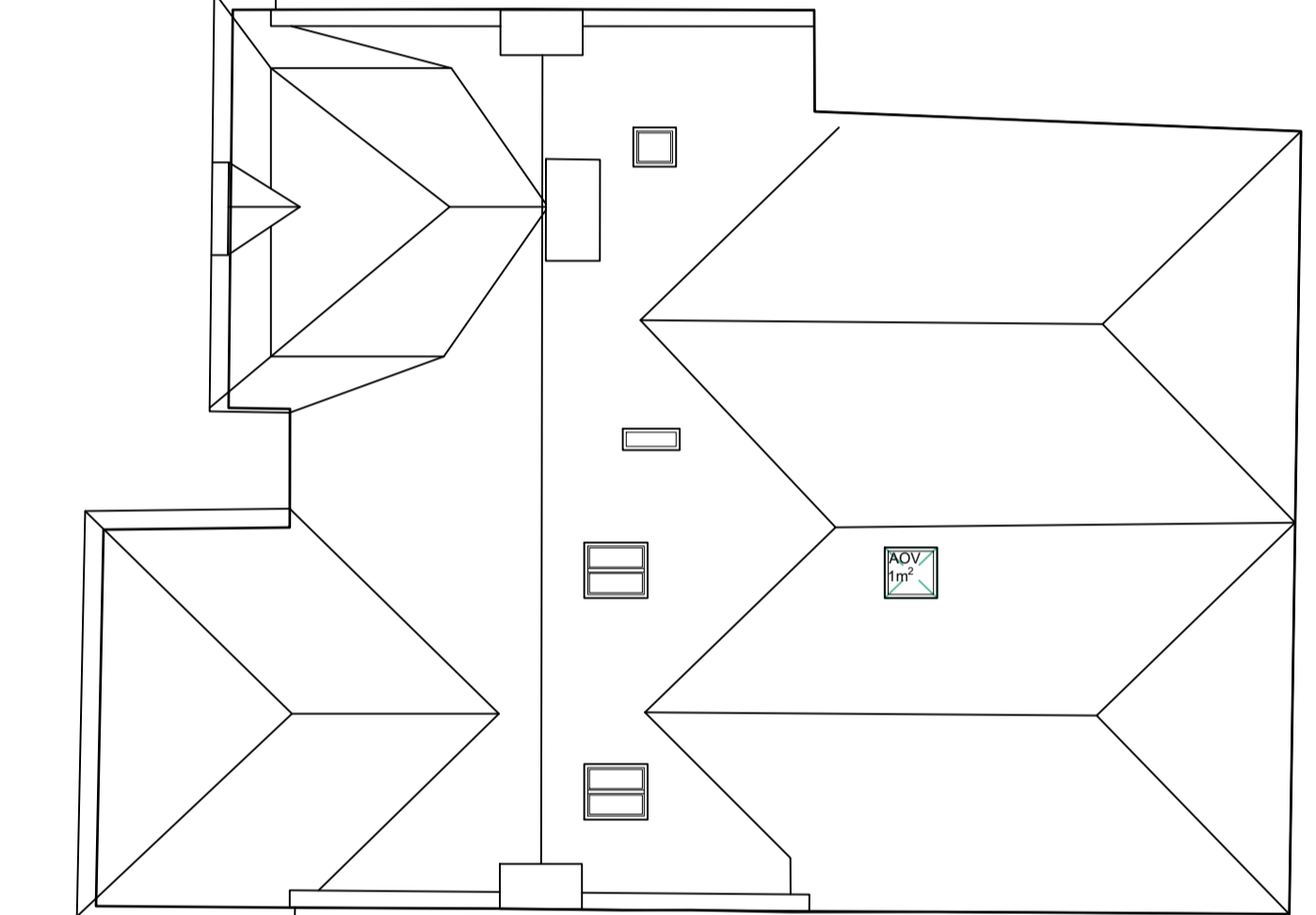
North West Elevation



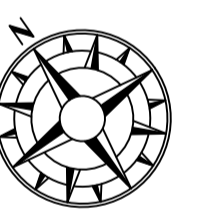
South West Elevation



North East Elevation



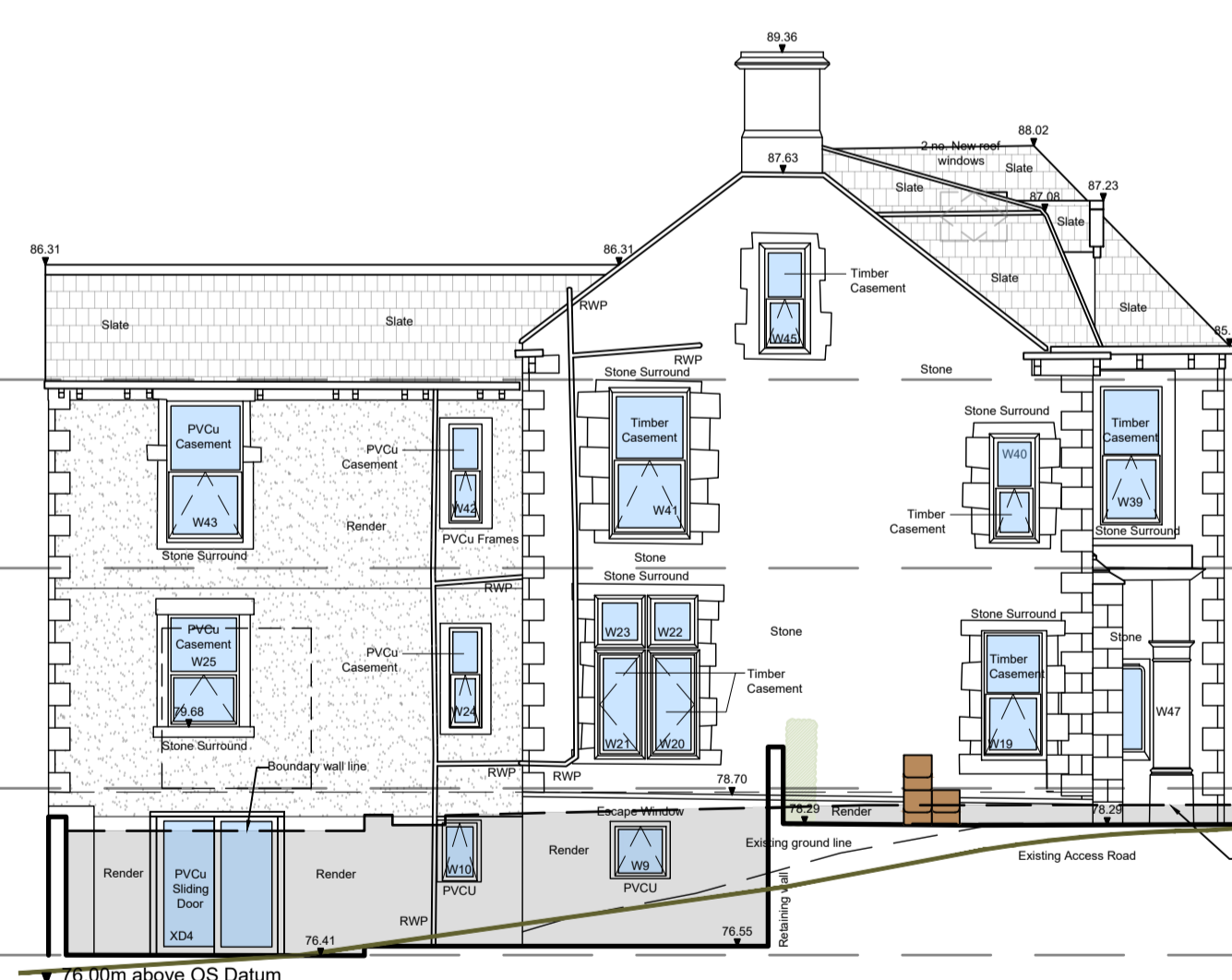
Roof Plan



**PROPOSED ELEVATIONS**



South West Elevation

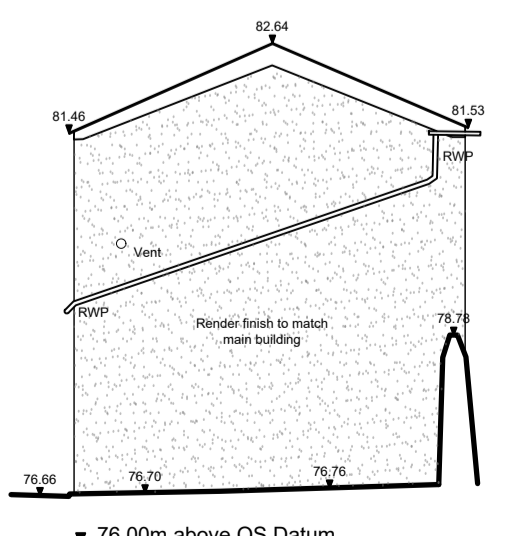


North East Elevation

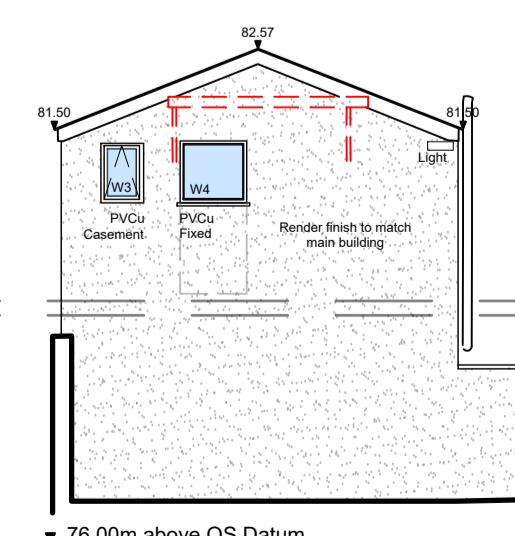


North West Elevation

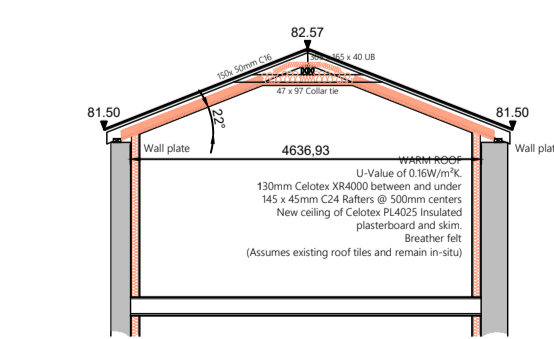
North West Elevation



South West Elevation



North East Elevation



Flat 1 Roof Section

**NOTES AND AMENDMENTS**

This drawing is copyright ©. Figured dimensions are to be followed in preference to scaled dimensions and particulars are to be taken from the actual work where possible. Any discrepancy must be reported to the architect immediately and before proceeding.

**REVISIONS**

Rev	Description	Drawn	Date
C	Window alterations	AJB	18.09.24
D	Window alterations	AJB	23.09.24
E	Garage Roof	AJB	14.10.24
F	Plan Check	AJB	01.11.24
G	Windows	AJB	05.11.24
H	Windows	AJB	04.12.24
J	Windows	AJB	07.02.25
K	Windows	AJB	11.02.25
L	Windows	AJB	20.02.25
M	Windows	AJB	11.03.25
N	Windows	AJB	17.03.25

**ASHWOOD**  
DESIGN ASSOCIATES LTD

Unit Gb, Clifford Court  
Cooper Way  
Carlisle  
CA3 0JG

t 01228 510616  
e admin@ashwooddesign.co.uk  
w www.ashwooddesign.co.uk

**Purpose:**  
**BUILDING REGULATIONS**

**Client:**  
CJP North West

**Project:**  
Rossendale House  
Conversion to flats

**Title:**  
Existing and Proposed Elevations  
- Replacement windows

Scale:	Sheet Size:	Drawn:	Date:
1/100	A1	AJB	05-24
Project No.:	Drawing No.:	Revision:	
2222	210	N	