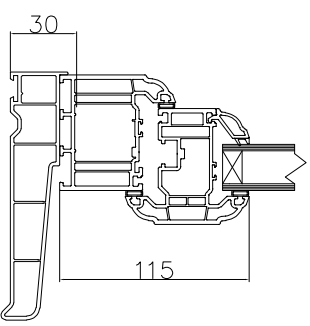
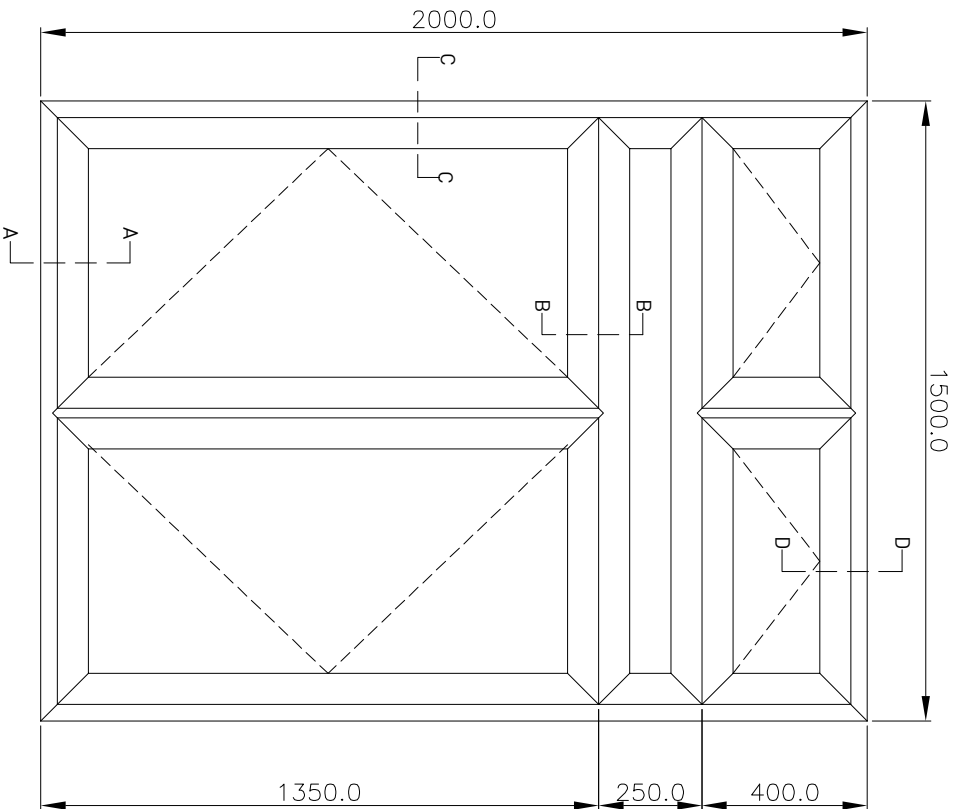
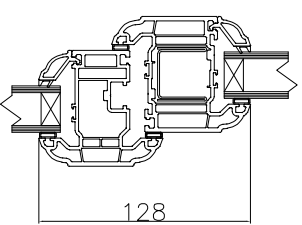


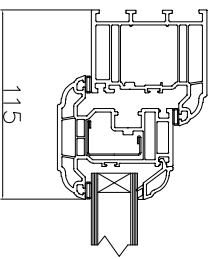
# Optima Cross-Sectional Details



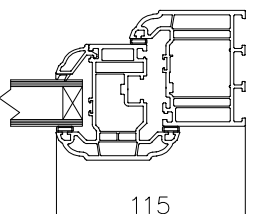
Section A - A



Section B - B



Section C - C



Section D - D

**EPWIN GROUP**  
**WINDOW SYSTEMS DIVISION**  
 Stafford Park 6 Telford TF3 3AT  
 Tel:(01952) 290910 Fax:(01952) 290460  
[www.epwin.co.uk](http://www.epwin.co.uk)

**PROJECT**  
 ---  
**STANDARD CASEMENT DETAIL**

**CLIENT**  
 N/A

**FABRICATOR / INSTALLER**  
 APPROVED FABRICATOR TBC

**PROJECT NO.** --- **DRAWING NO.** --- **DATE** 12/05/23

**DRAWING TITLE**  
 STANDARD WINDOW DETAILS

**SCALE** NTS **REVISION** 1st Issue **DRAWN BY** AMJH **CHECKED** RJS

**DRAWING REVISIONS**

**WINDOW SPECIFICATION**

Optima  
SCULPTURED SYSTEM

Optima  
CHAMFERED SYSTEM

Profile 22 Systems recommend using the following sections to gain a consistent appearance throughout.

DETAILS AS SHOWN
Equivalent sized & reinforced Sculptured or Chamfered may be used

This drawing is copyright and contains information which is the property of PROFILE 22 SYSTEMS LTD. It has been furnished for the specific use of the referenced project, and must not be copied, in whole or in part, used for manufacture, or disclosed without the written consent of PROFILE 22 SYSTEMS LTD. All dimensions and details to be confirmed by full site survey by installer.