



# Arboricultural Impact Assessment

in Relation to Proposed Change of Use of Two Barns to  
Children's Care Home, with Construction of Rear Extension at



**Clerk Laithe Lodge, Newton in  
Bowland, Lancashire,  
BB7 3DY**

Prepared by:

**Bowland**   
Tree Consultancy Ltd

February 2025

**ARBORICULTURAL IMPACT ASSESSMENT  
CLERK LAITHE LODGE, NEWTON IN BOWLAND**

---

**CONTENTS**

1. TREE SURVEY SCHEDULE FOR ARBORICULTURAL IMPACT ASSESSMENT
2. BS5837: 2012 TABLE 1
3. TEMPORARY PROTECTIVE FENCING SPECIFICATION
4. TREE CONSTRAINTS PLAN
5. TREE IMPACT PLAN



6 Cross Street  
Preston  
Lancashire  
PR1 3LT

T: 01772 437150

E: [info@bowlandtreeconsultancy.co.uk](mailto:info@bowlandtreeconsultancy.co.uk)

14 Castlegate  
Penrith  
Cumbria  
CA11 7HZ

T: 01768 744450

**ARBORICULTURAL IMPACT ASSESSMENT  
CLERK LAITHE LODGE, NEWTON IN BOWLAND**

---

**PROJECT DETAILS**

**Project No.:** BTC3135

**Site:** Clerk Laithe Lodge, Newton in Bowland, Lancashire, BB7 3DY

**Client:** Real Care Support Ltd

**Council:** Ribble Valley Borough Council

**Survey Date:** 13 February 2025

**Surveyed by:** Phill Harris MSc BSc(Hons) HND MArborA CEnv MICFor

**Prepared by:** Phill Harris MSc BSc(Hons) HND MArborA CEnv MICFor

**Checked by:** Joseph Lambert BSc(Hons) FdSc MArborA MICFor

**Date of Issue:** 26 February 2025

**Version No:** 1

## **DISCLAIMER**

**Survey Limitations:** Unless otherwise stated all trees are surveyed from ground level using non-invasive techniques. The disclosure of hidden crown and stem defects, in particular where they may be above a reachable height or where trees are ivy clad or in areas of ground vegetation, cannot therefore be expected. All obvious defects, however, are reported. Detailed tree safety appraisals are only carried out under specific written instructions. Comments upon evident tree safety relate to the condition of said tree at the time of the survey only.

Unless otherwise stated all trees should be re-inspected annually in order to appraise their on-going mechanical integrity and physiological condition. It should, however, be recognised that tree condition is subject to change, for example due to the effects of disease, decay, high winds, development works, etc. Changes in land use or site conditions (e.g. development that increases access frequency) and the occurrence of severe weather incidents are also significant considerations with regards tree structural integrity and trees should therefore be re-assessed in the context of such changes and/or incidents and inspected at intervals relative to identified and varying site conditions and associated risks.

Where trees are located wholly or partially on neighbouring private third-party land then said land is not accessed and our inspection is therefore restricted to what can reasonably be seen from within the site. Stem diameters of trees located on such land are estimated. Any subsequent comments and judgments made in respect of such trees are based on these restrictions and are our preliminary opinion only. Recommendations for works to neighbouring third-party trees are only made where a potentially unacceptable risk to persons and/or property has been identified during our survey. Where significant structural defects of third-party trees are identified and associated management works are considered essential to negate any risk of harm and/or damage then we will first attempt to inform the site occupier of the issues and, if not possible, then inform the relevant Council. Where a more detailed assessment is considered necessary then appropriate recommendations are set out in the Tree Survey Schedule.

Where tree stem locations are not included on the plan(s) provided then they are plotted at the time of the survey using, where appropriate and/or practicable, a combination of measurement triangulation and GPS co-ordination. Where this is not possible then locations are estimated. Restrictions in these respects are detailed in the report.

The tree survey and any report information provided is intended as a guide to identify key tree related constraints to site development only. As such, the potential influence of trees upon existing or proposed buildings or other structures resulting from the effects of their roots abstracting water from shrinkable load-bearing soils is not considered herein. The tree survey information in its current form should not therefore be considered sufficient to determine appropriate foundation depths for new buildings. Accordingly, an updated survey, with reference to the current NHBC Standards Chapter 4.2 - Building Near Trees, must therefore be prepared for the specific purpose of informing suitable foundation depths subsequent to planning approval being granted. The advice of a structural engineer must also be sought with regard to appropriate foundation depths for new buildings.

**Copyright & Non-Disclosure Notice:** The content and layout of this report are subject to copyright owned by Bowland Tree Consultancy Ltd, save to the extent that copyright has been legally assigned to us by another party or is used by Bowland Tree Consultancy Ltd under license. The report remains the property of Bowland Tree Consultancy Ltd until such time as payment in full for the services conducted as per the contract of Bowland Tree Consultancy Ltd's appointment has been compensated. The report may not be copied or used without our prior written agreement for any purpose other than those indicated. Unauthorised reproduction or usage of the report by any person is prohibited.

**Third Parties:** Any disclosure of this document to a third party is subject to this disclaimer. The report was prepared by Bowland Tree Consultancy Ltd at the instruction of and for use by our client, as named. This report does not in any way constitute advice to any third party who is able to access it by any means. Bowland Tree Consultancy Ltd excludes to the fullest extent lawfully permitted all liability whatsoever for any loss or damage arising from reliance on the contents of this report.

**Statutory Tree Protection:** It is the client's responsibility to check for the presence of any statutory tree protection measures, such as the site's location within a Conservation Area and/or the presence of any Tree Preservation Orders, directly with the applicable Council's planning department prior to scheduling or carrying out any tree works. In turn, it is also the client's responsibility to check for the need for a felling licence with the Forestry Commission prior to scheduling or carrying out any tree works. Bowland Tree Consultancy Ltd cannot be held responsible for any decisions made by the client to prune or remove trees where any such statutory protection exists.

**Liability:** This report was prepared for the sole use of 'The Client' and, where applicable, the client's 'Agent', in accordance with the agreement under which the services were instructed. No warranty, express or implied, is made as to the advice in this report or any other service provided by Bowland Tree Consultancy Ltd. This report may not be relied upon by any other party except the client or any third party for whom the report is intended without the prior written permission of Bowland Tree Consultancy Ltd. The content of this report is, at least in part, based upon information provided by secondary data sources and on the assumption that all relevant information has been provided by those parties from whom it has been requested. Information obtained from any third party has not been independently verified by Bowland Tree Consultancy Ltd, unless otherwise stated in the report.

**Validity:** The findings and recommendations contained within this report are, providing its recommendations are observed and the site conditions are retained as per the date(s) of the survey, valid for a period of twelve months from the last survey date. This period of validity may be reduced should there be any changes in factors affecting both the surrounding environment and/or built structures in relative proximity to the trees. The condition of trees should be re-appraised directly, through a site survey, following major weather events such as storms, changes undertaken to the site's conditions, inclusive of demolition and/or ground works, or the removal of existing site vegetation, including trees.

TREE SURVEY SCHEDULE FOR ARBORICULTURAL IMPACT ASSESSMENT							
<b>Site:</b>	Clerk Laithe Lodge, Newton in Bowland, Lancashire, BB7 3DY						
<b>Client:</b>	Real Care Support Ltd						

<b>Surveyor:</b>	Phill Harris Chartered Arboriculturist
<b>Survey Date:</b>	13 February 2025
<b>Job Reference:</b>	BTC3135

No.	Species	Height	Stem Diam.	Branch Spread	Branch & Canopy Clearances	Life Stage	PC	General Observations and Comments	Management Recommendations	ERC	Cat. Grade	RPA (m <sup>2</sup> )	RPA Radius (m)
T1	Goat Willow	7.5	6x200 (ms)	N 5 E 4.5 S 3 W 4.5	1.5 2	EM	G	<ul style="list-style-type: none"> <li>Stem located approximately 50mm from dry stone boundary wall, with resultant high likelihood of damage causation on future incremental growth over relatively short term.</li> <li>Stem divides into four secondary stems at a height of approximately 0.1m with tight forks, with these stems all bifurcating at between 1.3m and 1.7m above ground level.</li> <li>Multiple crossing branches.</li> </ul>	<ul style="list-style-type: none"> <li>Retain tree in context of proposed development.</li> <li>Ensure protection of existing soft surfaced extent of tree's Root Protection Area (RPA) through establishment of Construction Exclusion Zone (CEZ) in accordance with appended temporary fencing specification (see Tree Impact Plan (TIP)).</li> <li>NB: Retention and adequate protection of tree can be assured through imposition of a suitably worded condition attached to a planning approval.</li> </ul>	10+	C1	109	5.88
T2	Common Horse Chestnut	5.5	110	N 0.5 E 2 S 1 W 2	1 1.2	Y	G	<ul style="list-style-type: none"> <li>Stem located approximately 250mm from dry stone boundary wall, with resultant high likelihood of damage causation on future incremental growth over moderate to long term.</li> <li>Moderately biased crown east and west, due to partial suppression by neighbouring trees.</li> </ul>	<ul style="list-style-type: none"> <li>Retain tree in context of proposed development.</li> <li>Ensure protection of existing soft surfaced extent of tree's RPA through establishment of CEZ in accordance with appended temporary fencing specification (see TIP).</li> <li>NB: Retention and adequate protection of tree can be assured through imposition of a suitably worded condition attached to a planning approval.</li> </ul>	10+	C1	5	1.32
T3	Common Horse Chestnut	4.5	120	N 0.5 E 2 S 1.5 W 2	1 1	Y	G	<ul style="list-style-type: none"> <li>Moderate lower stem curvature.</li> <li>Several acute included bark unions of primary branches.</li> </ul>	<ul style="list-style-type: none"> <li>Retain tree in context of proposed development.</li> <li>Ensure protection of existing soft surfaced extent of tree's RPA through establishment of CEZ in accordance with appended temporary fencing specification (see TIP).</li> <li>NB: Retention and adequate protection of tree can be assured through imposition of a suitably worded condition attached to a planning approval.</li> </ul>	10+	C1	7	1.44

**Headings and Abbreviations:**

<b>No.</b>	Allocated sequential reference number - Tree ('T'), Group ('G'), Woodland ('W') or Hedge ('H') reference number - refer to plan and to numbered tags where applicable
<b>Species:</b>	Common name
<b>Height:</b>	In metres, to half nearest metre - where possible approximately 80% are measured using an electronic clinometer and the remainder estimated against the measured trees. In the case of Groups and Woodlands the measurement listed is that of the highest tree
<b>Stem Diam.:</b>	Stem diameter in millimetres, to nearest 10mm - measured and calculated as per Annex C of BS5837:2012. MS = multi-stemmed, TS = twin-stemmed
<b>Branch Spread:</b>	Crown radius measured (or estimated where considered appropriate) from the four cardinal points (north, east, south and west) to give an accurate visual representation of the crown
<b>Branch &amp; Canopy Clearances:</b>	Existing height above ground level, in metres, of first significant branch and direction of growth (e.g. 2.5-N) and of canopy at lowest point - to inform on crown to height ratio, potential for shading, etc.
<b>Life Stage:</b>	Estimated age class - Y = young, SM = semi-mature, EM = early-mature, M = mature, PM = post-mature
<b>PC:</b>	Physiological Condition - a measure of the tree('s) overall vitality, i.e. D = Dead, MD = Moribund, P = Poor, M = Moderate, G = Good
<b>General Observations and Comments:</b>	Comments relating to the tree('s) overall condition and any other pertinent factors including structural defects, current and potential direct structural damage, physiological decline, poor form, etc.
<b>Management Recommendations:</b>	Either Preliminary or In Consideration of the Proposal - In the case of Arboricultural Constraints Surveys the recommended management works only take existing site and tree circumstances and conditions into account and not proposed developments. Arboricultural Impact Assessment and Method Statement related Surveys take the proposed development into consideration with recommendations made accordingly. More than one option may be given if considered appropriate
<b>ERC:</b>	Estimated Remaining Contribution - in years as per BS5837:2012 (i.e. <10, 10+, 20+, 40+)
<b>Cat. Grade:</b>	Category Grading - tree retention value listed as U, A, B or C - in accordance with BS5837:2012 Table 1
<b>RPA m<sup>2</sup>:</b>	Root Protection Area in m <sup>2</sup> - calculated area around the tree that must be appropriately protected throughout the development process in order avoid root damage
<b>RPA Radius (m):</b>	Root Protection Area Radius - in metres measured from the centre of the stem to the line of tree protection
<b># (Estimated Dimensions):</b>	Where trees are located off-site, or are inaccessible for any other reason, and accurate measurements or other information cannot be taken then the information provided is estimated and is duly suffixed with a "#"

TREE SURVEY SCHEDULE FOR ARBORICULTURAL IMPACT ASSESSMENT							
<b>Site:</b>	Clerk Laithe Lodge, Newton in Bowland, Lancashire, BB7 3DY						
<b>Client:</b>	Real Care Support Ltd						

<b>Surveyor:</b>	Phill Harris Chartered Arboriculturist
<b>Survey Date:</b>	13 February 2025
<b>Job Reference:</b>	BTC3135

No.	Species	Height	Stem Diam.	Branch Spread	Branch & Canopy Clearances	Life Stage	PC	General Observations and Comments	Management Recommendations	ERC	Cat. Grade	RPA (m <sup>2</sup> )	RPA Radius (m)
T4	Cherry	5.5	2x80 1x70 (ms)	N 2.5 E 2 S 2 W 1	0.5-E 1	SM	G	<ul style="list-style-type: none"> <li>Several partially occluded bark necrosis wounds to stem.</li> <li>Stem trifurcates at a height of approximately 1.2m.</li> </ul>	<ul style="list-style-type: none"> <li>Remove tree in order to construct development as proposed.</li> <li>Compensate for loss through new tree planting elsewhere on site, in agreement with Local Planning Authority (LPA) tree officer.</li> <li>NB: Compensation for loss of tree through new tree planting can be assured through imposition of a suitably worded condition attached to a planning approval.</li> </ul>	10+	C1	8	1.6
T5	Chinese Thuja	4.5	6x70 (ms)#	N 2 E 1.5 S 1.5 W 1.5	N/A 0.5	SM	G	<ul style="list-style-type: none"> <li>Very dense foliage cover, and subsequently unable to view in detail, but stem evidently divides into multiple secondary stems at a height of approximately 0.2m.</li> </ul>	<ul style="list-style-type: none"> <li>Remove tree in order to construct development as proposed.</li> <li>Compensate for loss through new tree planting elsewhere on site, in agreement with LPA tree officer.</li> <li>NB: Compensation for loss of tree through new tree planting can be assured through imposition of a suitably worded condition attached to a planning approval.</li> </ul>	10+	C1	13	2.06
G1	approx. 7no. Myrobalan Plum, 2no. Horse Chestnut, 1no. Hawthorn	≤ 8	≤ 270	N ≤ 5 E ≤ 3.5 S ≤ 5 W ≤ 3	2 ≥ 2	Y-EM	G	<ul style="list-style-type: none"> <li>Mostly linear group within laid hedge.</li> <li>Located over 5m from proposed building extension (see TIP).</li> </ul>	<ul style="list-style-type: none"> <li>Retain group in context of proposed development.</li> <li>NB: Temporary protective fencing not considered necessary due to distance of group from proposed building extension (see TIP).</li> </ul>	20+	C1	≤ 33	≤ 3.24
H1	Common Beech	≈ 2	N/A	≈ 1.5 wide	N/A N/A	Y		<ul style="list-style-type: none"> <li>Length of managed hedge along boundary.</li> </ul>	<ul style="list-style-type: none"> <li>Retain hedge in context of proposed development.</li> </ul>	40+	C1	N/A	≈ 0.75

**BS5837:2012 Table 1 – Cascade Chart for Tree Quality Assessment**

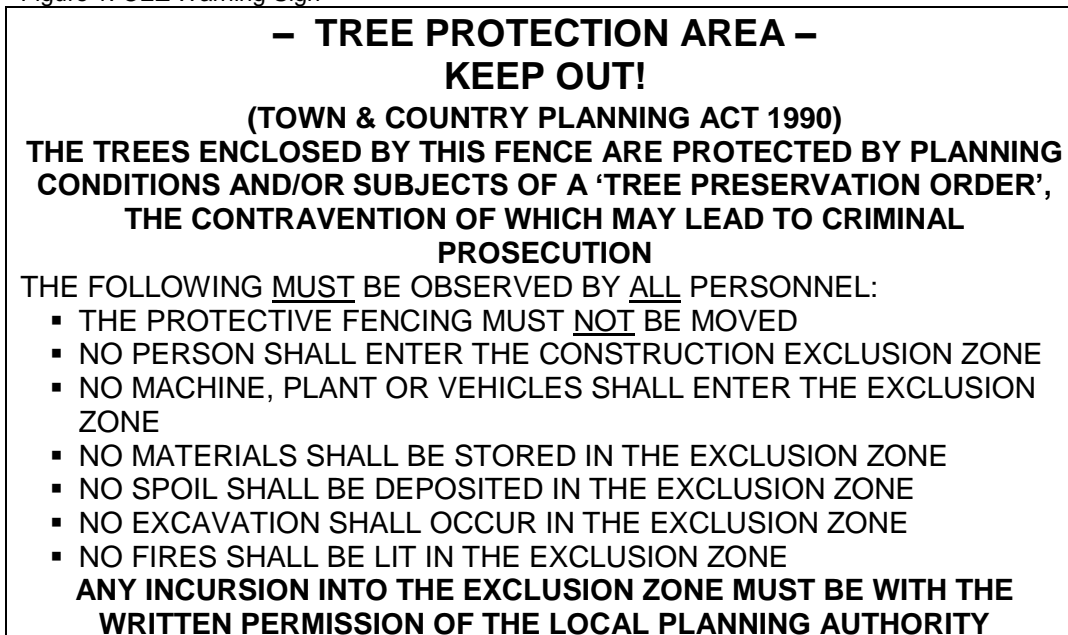
Category and definition	Criteria (including subcategories where appropriate)			Identification on plan
<b>Trees unsuitable for retention</b> (see Note)				
<p><b>Category U</b></p> <p>Those in such a condition that they cannot realistically be retained as living trees in the context of the current land use for longer than 10 years</p>	<ul style="list-style-type: none"> <li>▪ Trees that have a serious, irremediable, structural defect, such that their early loss is expected due to collapse, including those that will become unviable after removal of other category U trees (e.g. where, for whatever reason, the loss of companion shelter cannot be mitigated by pruning)</li> <li>▪ Trees that are dead or are showing signs of significant, immediate, and irreversible overall decline</li> <li>▪ Trees infected with pathogens of significance to the health and/or safety of other trees nearby, or very low quality trees suppressing adjacent trees of better quality</li> </ul> <p><i>Note: Category U trees can have existing or potential conservation value which it might be desirable to preserve; see BS5837:2012 paragraph 4.5.7.</i></p>			Red
<b>1. Mainly arboricultural qualities</b>		<b>2. Mainly landscape qualities</b>	<b>3. Mainly cultural values, including conservation</b>	
<b>Trees to be considered for retention</b>				
<p><b>Category A</b></p> <p><b>Trees of high quality</b> with an estimated remaining life expectancy of at least 40 years</p>	Trees that are particularly good examples of their species, especially if rare or unusual; or those that are essential components of groups or formal or semi-formal arboricultural features (e.g. the dominant and/or principal trees within an avenue)	Trees, groups or woodlands of particular visual importance as arboricultural and/or landscape features	Trees, groups or woodlands of significant conservation, historical, commemorative or other value (e.g. veteran trees or wood-pasture)	Green
<p><b>Category B</b></p> <p>Those of moderate quality and value: those in such a condition as to make a significant contribution. A minimum of 20 years is suggested.</p>	Trees that might be included in the high category, but are downgraded because of impaired condition. Examples include the presence of remediable defects including unsympathetic past management and minor storm damage	Trees present in numbers, usually as groups or woodlands, so they form distinct landscape features which attract a higher collective rating than they might as individuals. But which are not, individually, essential components of formal or semi-formal arboricultural features. For example, trees of moderate quality within an avenue that includes better, A category specimens. Or trees which are internal to the site, therefore individually having little visual impact on the wider locality	Trees with clearly identifiable conservation or other cultural benefits	Blue
<p><b>Category C</b></p> <p>Those trees of low quality and value: currently in adequate condition to remain until new planting could be established - a minimum of 10 years is suggested - or young trees with a stem diameter below 150 mm</p>	Trees not qualifying in higher categories	Trees present in groups or woodlands, but without this conferring on them significantly greater landscape value, and/or trees offering low or only temporary screening benefit	Trees with very limited conservation or other cultural benefits	Grey
	<p>Note – Whilst C category trees will usually not be retained where they would impose a significant constraint on development, young trees with a stem diameter of less than 150mm should be considered for relocation</p>			

## - TEMPORARY PROTECTIVE FENCING & GROUND PROTECTION SPECIFICATION -

**Construction Exclusion Zones (CEZs)**, shall be enclosed by **Temporary Protective Fencing** and/or, where necessary, **Temporary Ground Protection Measures**. The fencing/ground protection Type(s), locations, and extents shall be agreed, in writing, with the Local Planning Authority (LPA). In turn, the **Temporary Protective Fencing** and/or **Temporary Ground Protection Measures** shall:

1. be constructed as in accordance with the Type 1, Type 2 or Type 3 'Temporary Protective Fencing Construction' sections and, where applicable the 'Temporary Ground Protection Measures' section, as detailed herein and agreed, in advance with the LPA;
2. be retained in place throughout the development process until completion of the project, and only removed following receipt of written permission from the LPA;
3. be sited in the area(s) defined by the Root Protection Areas on the associated Tree Impact Plan, or as the CEZs on the Tree Protection Plan;
4. be erected prior to any construction, demolition or excavation works and remain in place for the duration of the project;
5. preclude any delivery of site accommodation and/or materials and/or plant machinery;
6. preclude all construction related activity, with the sole exception of specified arboricultural works and any other works to be carried out under supervision that have been agreed by all parties;
7. preclude the storage of all development related materials and substances including fuels, oils, additives, cement and/or any other deleterious substance; and
8. be affixed with a 600mm x 300mm warning sign reading "TREE PROTECTION AREA KEEP OUT" (see Figure 1, below), at every 10.0 metre length of protective fencing.
9. Important: Any incursion into CEZs must be by prior arrangement, following consultation with the LPA.

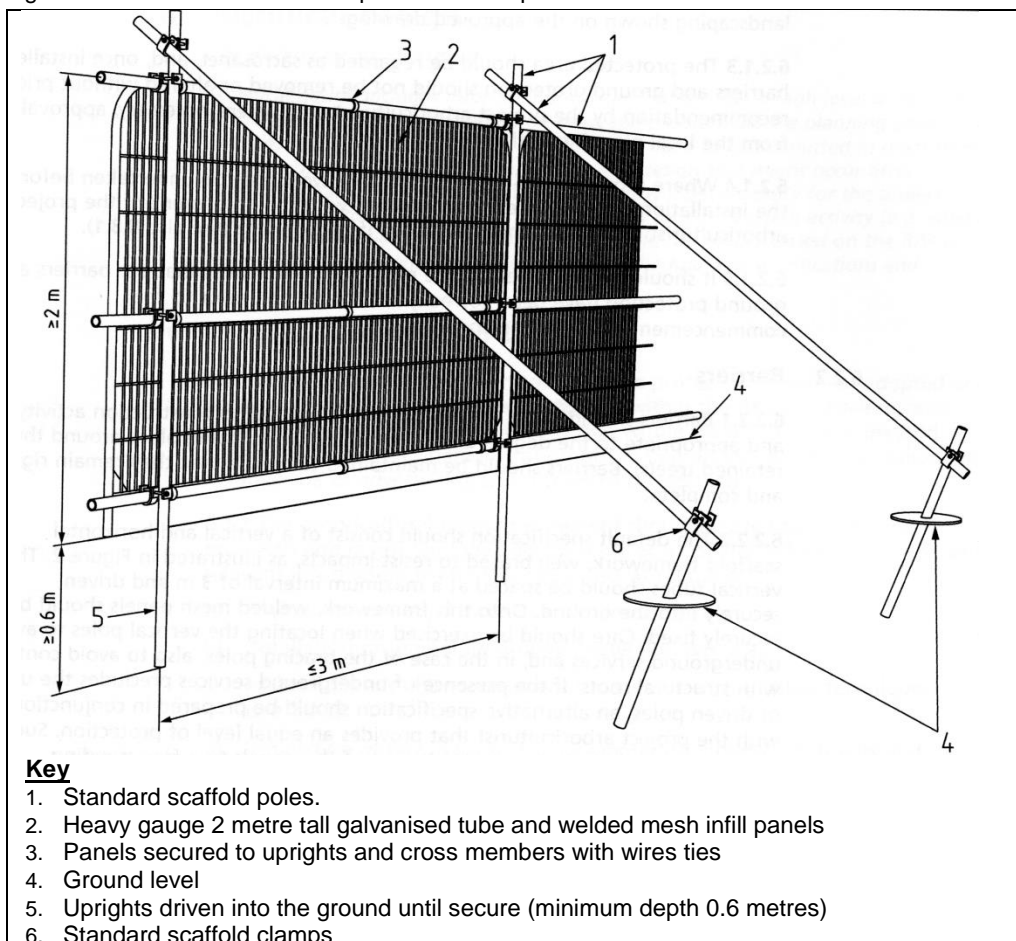
Figure 1: CEZ Warning Sign



**Type 1 (i.e. 'Default') Temporary Protective Fencing Construction** (see Figure 2, below)

1. Temporary protective fencing panels shall be weldmesh "Heras" panels of at least 2.0 metres in height.
2. The panels shall butt together and be securely fixed to a scaffold framework, as per points 3 to 5 of Figure 2, overleaf.
3. The scaffold framework shall comprise of upright poles of at least 3.0 metres in length driven no less than 0.6 metres into the ground at maximum 3.0 metre centres with horizontal and diagonal poles fixed to the uprights, as per points 4 to 5.
4. The two horizontal rail poles shall be attached to the uprights at heights of 0.6 and 1.8 metres with 3 no. clamps to each joint.
5. The diagonal scaffold pole struts be clamped to the top rail of the scaffold framework at a 45° angle and extend back into the CEZ and clamped to a 0.7 metre length of scaffold tube that shall be driven no less than 0.5m into the ground.
6. No fixing shall be made to any tree and all possible precautions shall be taken to prevent damage to tree roots when locating posts.
7. A 600mm x 300mm warning sign reading "TREE PROTECTION AREA KEEP OUT" (see Figure 1) shall be fixed to every 10.0 metre length of protective fencing.
8. On completion of erection, and prior to any demolition or construction works, site preparation, excavation or delivery of plant and materials, the Consulting Arboriculturist or the LPA Tree Officer, as agreed, shall inspect the Temporary Protective Fencing.

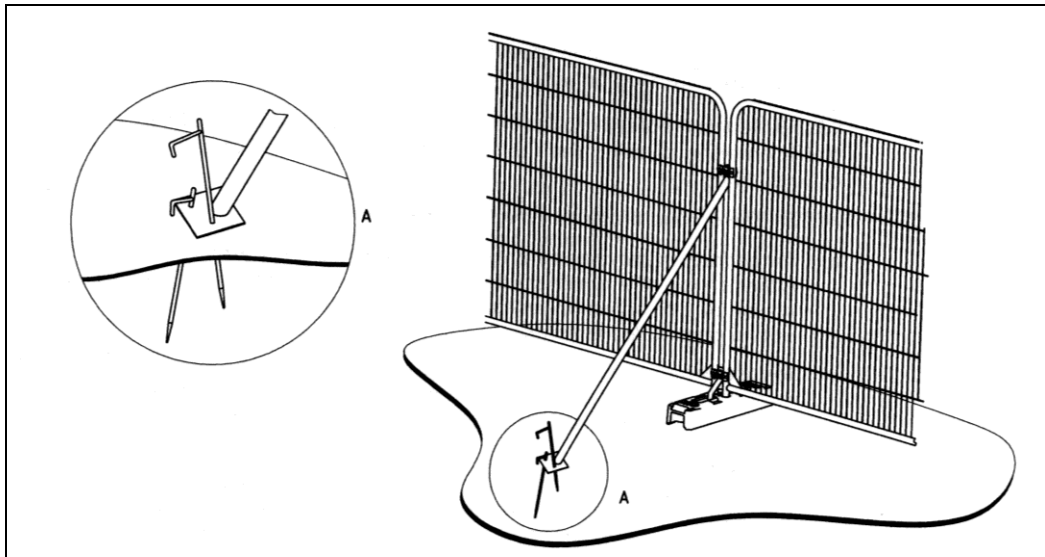
Figure 2: BS5837:2012 Default specification for protective barrier



### **Type 2 Temporary Protective Fencing Construction** (see Figure 3(a), below)

1. Temporary protective fencing panels shall be weldmesh "Heras" panels of at least 2.0 metres in height.
2. The panels shall stand on rubber or concrete feet.
3. The panels shall butt together, and be joined together using a minimum of two anti-tamper couplers, installed so that they can only be removed from inside the fence.
4. The distance between the fence couplers shall be at least 1.0 metre, and shall be uniform throughout the fence.
5. The panels shall be supported on the inner side by stabiliser struts, which shall be clamped to the scaffold framework at a 45° angle and extend back into the CEZ and shall be attached to a base plate, which shall be secured to the ground with pins (Figure 3a).
6. No fixing shall be made to any tree and all possible precautions shall be taken to prevent damage to tree roots when locating posts.
7. A 600mm x 300mm warning sign reading "TREE PROTECTION AREA KEEP OUT" (see Figure 1) shall be fixed to every 10.0 metre length of protective fencing.
8. On completion of erection, and prior to any demolition or construction works, site preparation, excavation or delivery of plant and materials, the Consulting Arboriculturist or the LPA Tree Officer, as agreed, shall inspect the Temporary Protective Fencing.

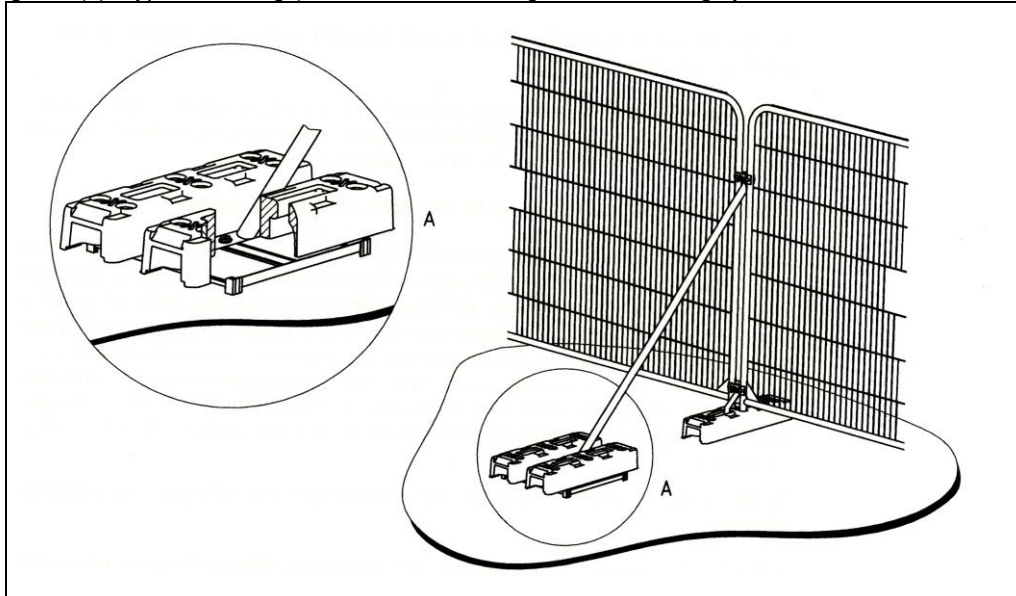
Figure 3(a): Type 2 Fencing (BS5837:2012 above-ground strut stabilising system with ground pins)



### **Type 3 Temporary Protective Fencing Construction** (see Figure 3(b), overleaf)

1. Temporary protective fencing panels shall be weldmesh "Heras" panels of at least 2.0 metres in height.
2. The panels shall stand on rubber or concrete feet.
3. The panels shall butt together, and be joined together using a minimum of two anti-tamper couplers, installed so that they can only be removed from inside the fence.
4. The distance between the fence couplers shall be at least 1.0 metre, and shall be uniform throughout the fence.
5. The panels shall be supported on the inner side by stabiliser struts, which shall be clamped to the scaffold framework at a 45° angle and extend back into the CEZ and shall be attached to a block tray base (Figure 3b).
6. No fixing shall be made to any tree and all possible precautions shall be taken to prevent damage to tree roots when locating posts.
7. A 600mm x 300mm warning sign reading "TREE PROTECTION AREA KEEP OUT" (see Figure 1) shall be fixed to every 10.0 metre length of protective fencing.
8. On completion of erection, and prior to any demolition or construction works, site preparation, excavation or delivery of plant and materials, the Consulting Arboriculturist or the LPA Tree Officer, as agreed, shall inspect the Temporary Protective Fencing.

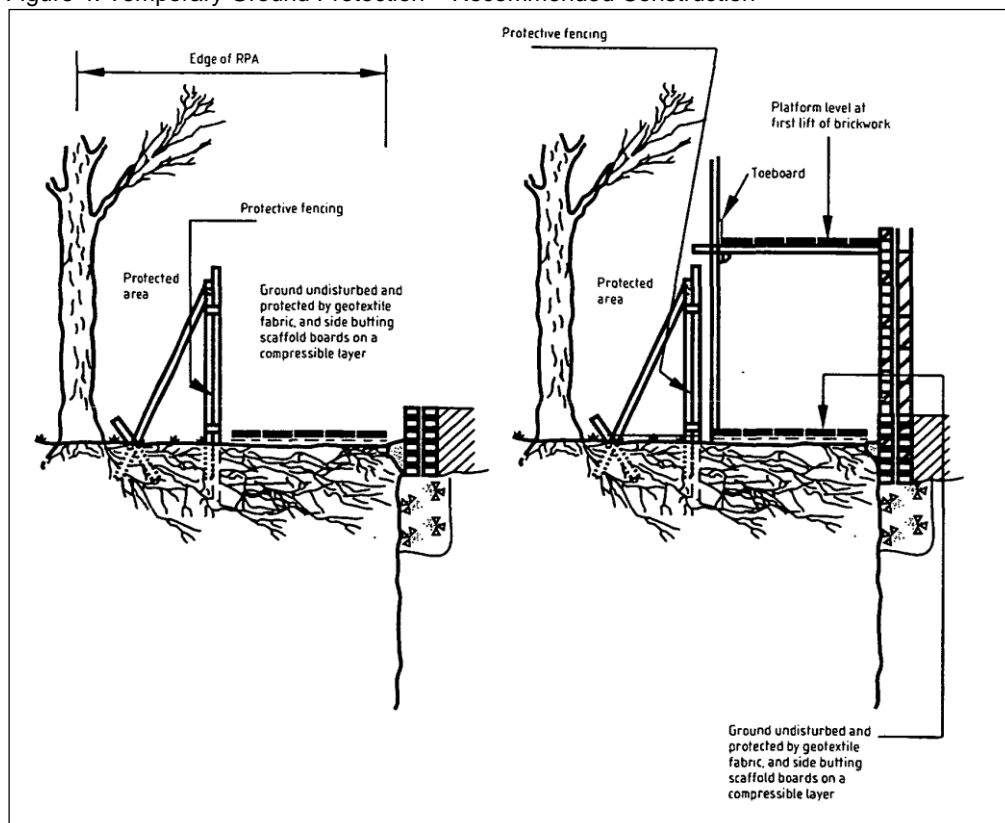
Figure 3(b): Type 3 Fencing (BS5837:2012 above-ground stabilising system with strut on block tray)

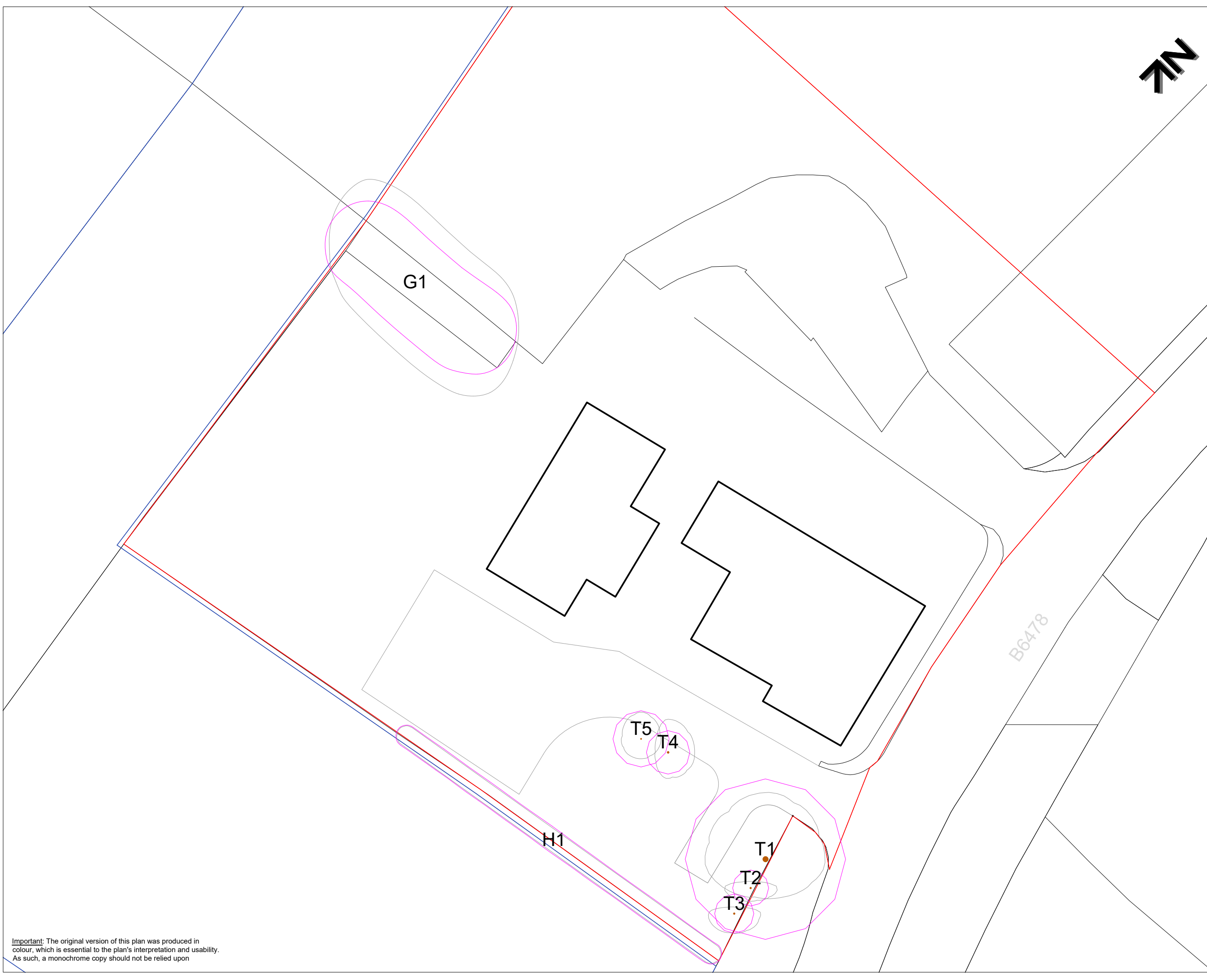


### Temporary Ground Protection

1. Any necessary Temporary Ground Protection areas shall conform to Figure 4, below, unless otherwise agreed with the LPA.
2. The Ground Protection Area shall be left undisturbed and covered by a semi-permeable geotextile membrane which shall, in turn, be covered by a compressible layer consisting of a material such as woodchip.
3. Side-butting scaffold boards shall then be fitted to cover the Ground Protection Area.
4. On completion of installation, and prior to any demolition or construction works, site preparation, excavation or delivery of plant and materials, the Consulting Arboriculturist or the LPA Tree Officer, as agreed, shall inspect the Temporary Ground Protection.
5. The Temporary Ground Protection shall remain in place until completion of the project and only removed following receipt of written permission from the LPA.

Figure 4: Temporary Ground Protection – Recommended Construction



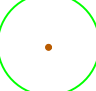



**KEY**  
 T = Individual Tree  
 G = Group of Trees  
 H = Hedge


Please refer to associated Tree Survey Schedule and appendices for specific details in respect of items below:

**Tree Categorisations:**


Those to be Considered for Retention:

 Category 'A' Tree/Group/Hedge  
 Those of a High Quality with an Estimated Remaining Life Expectancy of at Least 40 Years

 Category 'B' Tree/Group/Hedge  
 Those of a Moderate Quality with an Estimated Remaining Life Expectancy of at Least 20 Years

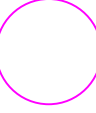
 Category 'C' Tree/Group/Hedge  
 Those of Low Quality with an Estimated Remaining Life Expectancy of at Least 10 Years, or Young Trees

Those Considered Unsuitable for Retention:

 Category 'U' Tree/Group/Hedge  
 Those in Such a Condition that they Cannot Realistically be Retained as Living Trees in the Context of the Current Land Use for Longer Than 10 Years

Note: The stem locations of the surveyed trees, and the location and extents of the group and hedge, were not included on the Ordnance Survey base plan provided, and were subsequently plotted by the arboriculturist at the time of the survey using GPS and, where possible, measurement from existing site features or, where not possible, estimation. As such, the locations of the trees, and the location and extents of the group and the hedge, cannot therefore be considered to be entirely accurate

**Root Protection Areas (RPAs):**

 RPAs  
 Area(s) of Ground Around Retained Trees that Should be Protected Throughout Development Works with Protective Fencing to form a Construction Exclusion Zone - see Temporary Protective Fencing Specification

**Project:**  
 CLERK LAITHE LODGE  
 NEWTON IN BOWLAND  
 LANCASHIRE  
 BB7 3DY

**Client:**  
 REAL CARE SUPPORT LTD

**Title:**  
**TREE CONSTRAINTS PLAN**  
 in Relation to Proposed Change of Use of Two Barns to Children's Care Home with Rear Extension

Scale: 1:250@A3  
 Date: February 2025  
 Drawn by: JT  
 Checked by: PH



Ref: BTC3135-TCP Rev:

**Important:** The original version of this plan was produced in colour, which is essential to the plan's interpretation and usability. As such, a monochrome copy should not be relied upon



**KEY**

T = Individual Tree  
 G = Group of Trees  
 H = Hedge

Please refer to associated Tree Survey Schedule and appendices for specific details in respect of items below:

**Tree Categorisations:**

Those to be Considered for Retention:

Category 'A' Tree/Group/Hedge  
 Those of a High Quality with an Estimated Remaining Life Expectancy of at Least 40 Years

Category 'B' Tree/Group/Hedge  
 Those of a Moderate Quality with an Estimated Remaining Life Expectancy of at Least 20 Years

Category 'C' Tree/Group/Hedge  
 Those of Low Quality with an Estimated Remaining Life Expectancy of at Least 10 Years, or Young Trees

Those Considered Unsuitable for Retention:

Category 'U' Tree/Group/Hedge  
 Those in Such a Condition that they Cannot Realistically be Retained as Living Trees in the Context of the Current Land Use for Longer Than 10 Years

Note 1: The stem locations of the surveyed trees, and the location and extents of the group and hedge, were not included on the Ordnance Survey base plan provided, and were subsequently plotted by the arboriculturist at the time of the survey using GPS and, where possible, measurement from existing site features or, where not possible, estimation. As such, the locations of the trees, and the location and extents of the group and the hedge, cannot therefore be considered to be entirely accurate

Note 2: Trees, with their numbers detailed in grey are proposed for removal in the context of the proposed development

**Root Protection Areas (RPAs):**

RPAs  
 Area(s) of Ground Around Retained Trees that Should be Protected Throughout Development Works with Protective Fencing to form a Construction Exclusion Zone - see Temporary Protective Fencing Specification

**Project:**  
 CLERK LAITHE LODGE  
 NEWTON IN BOWLAND  
 LANCASHIRE  
 BB7 3DY

**Client:**  
 REAL CARE SUPPORT LTD

**Title:**  
**TREE IMPACT PLAN**  
 in Relation to Proposed Change of Use of Two Barns to Children's Care Home with Rear Extension

Scale: 1:250@A3  
 Date: February 2025  
 Drawn by: JT  
 Checked by: PH



Ref: BTC3135-TIP Rev:

Important: The original version of this plan was produced in colour, which is essential to the plan's interpretation and usability. As such, a monochrome copy should not be relied upon

existing parking space within

soft-surfaced areas of RPAs of T1 to T3 to be protected with temporary fencing (see appended specification) throughout development process

considered to be adequate space throughout site for new compensatory tree planting

proposed extension (hatched)

proposed parking spaces

B6478

G1

T5 T4

T1

T2

T3

H1

