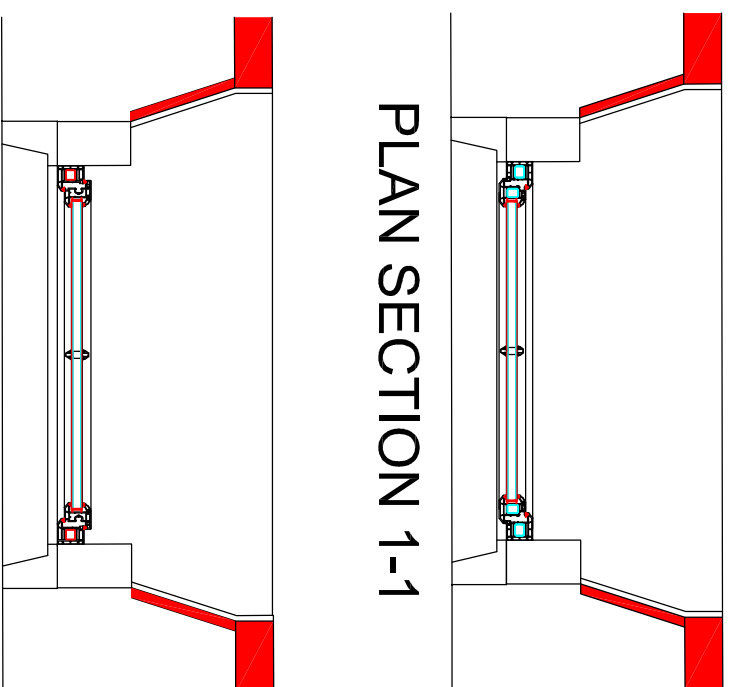
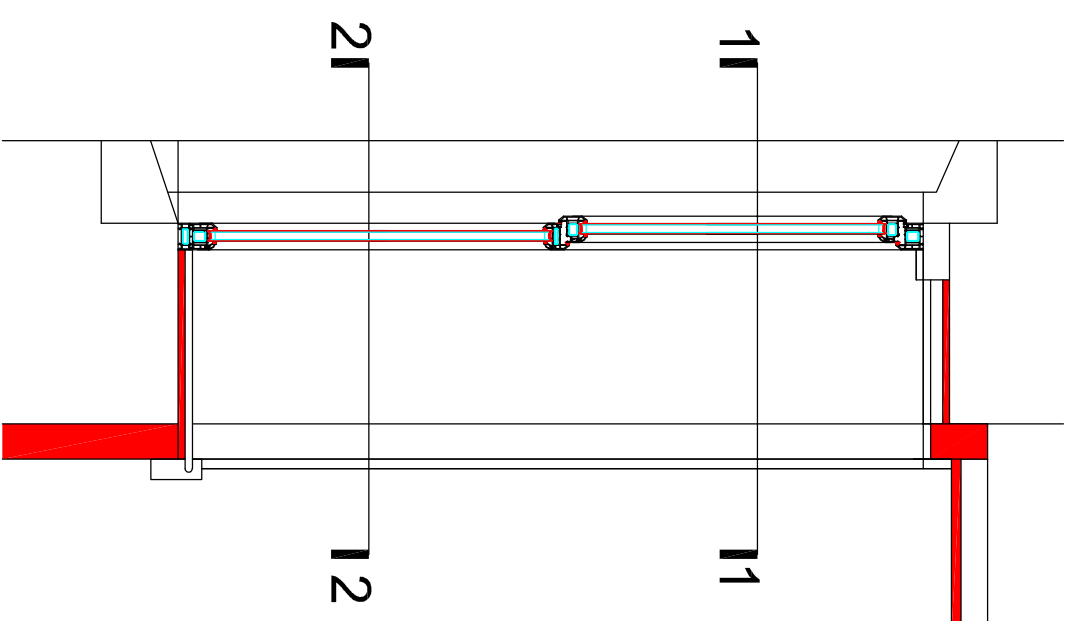


VERTICAL SECTION

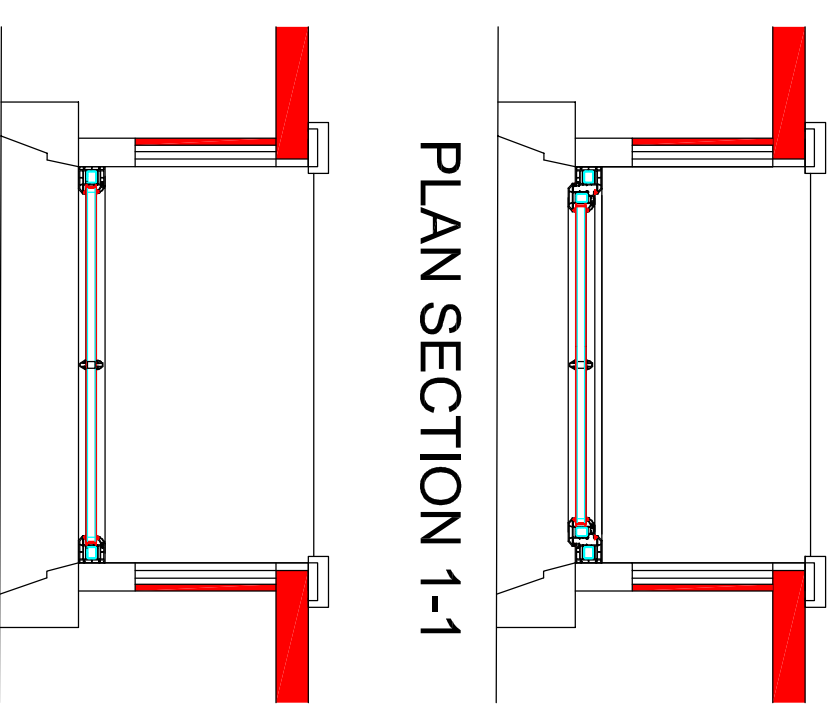


PLAN SECTION 2-2

PLAN SECTION 1-1



VERTICAL SECTION



PLAN SECTION 1-1

PLAN SECTION 2-2

OFFICE 5 WINDOW

MEN WC WINDOW



REVISIONS	DATE	Client	Scale	Drawing title
		RIBBLE RIVERS TRUST	1:20	WINDOW DETAILS
		Job title	Date	
		ALTERATIONS	MAR 25	
		HORROCKSFORD FARM HOUSE	Drawn	
			WS	
W. A. Spees Hook Manor, Ambleston, Haverfordwest, SA62 5QX TEL. 01437 741378 MOB. 07801 889584 e-mail: wes@waspees.co.uk				
SCALE @ SHEET SIZE : 1:20@ A3				
			1200	D025