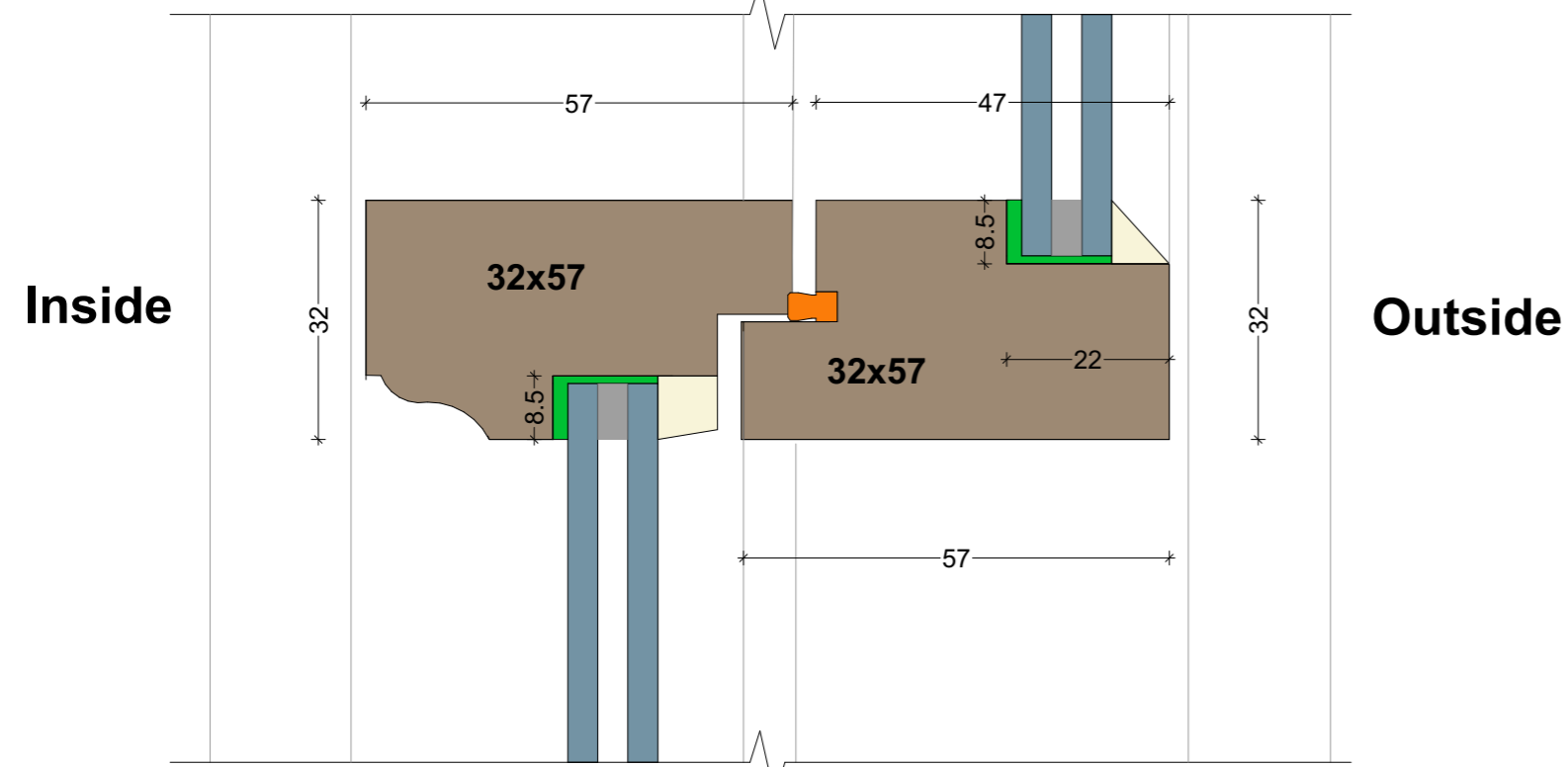
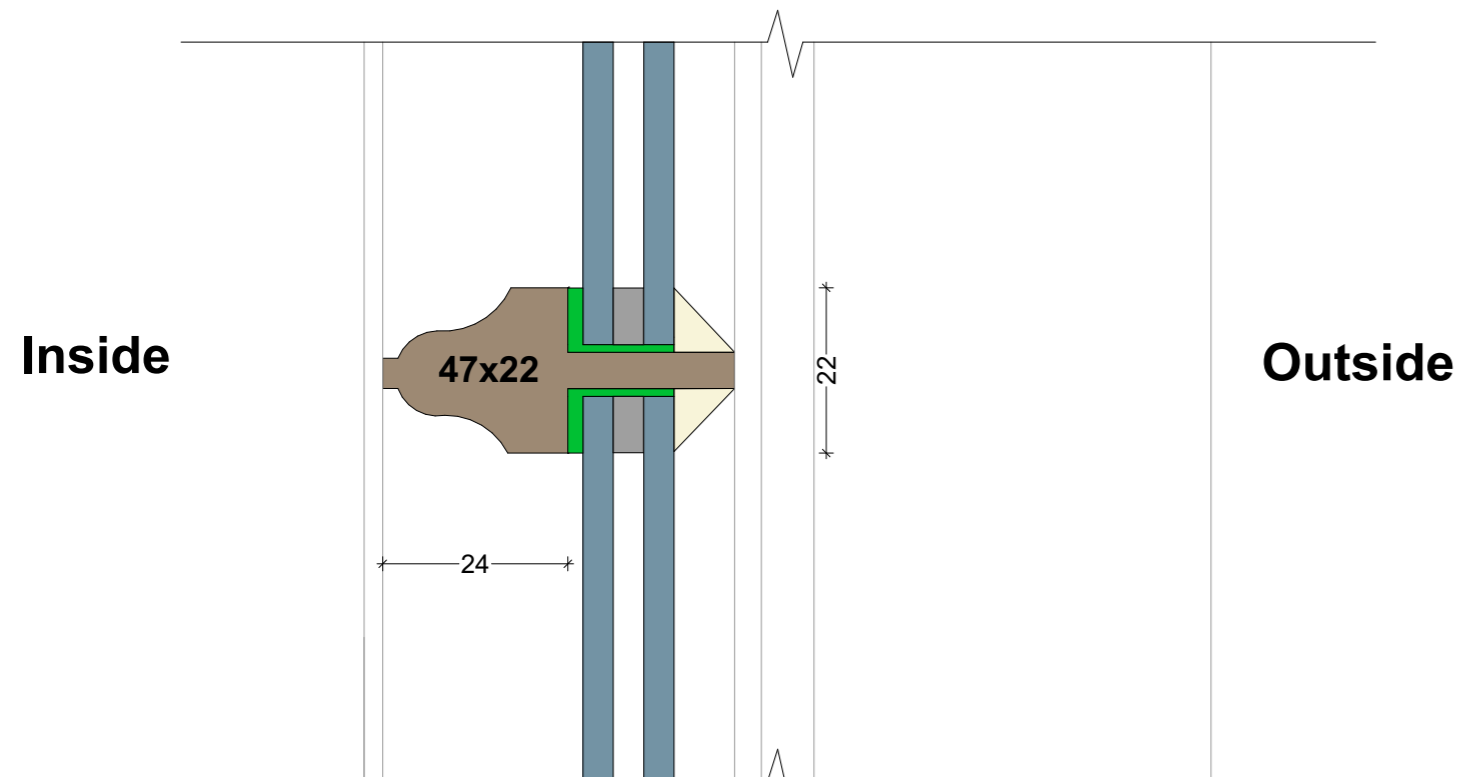


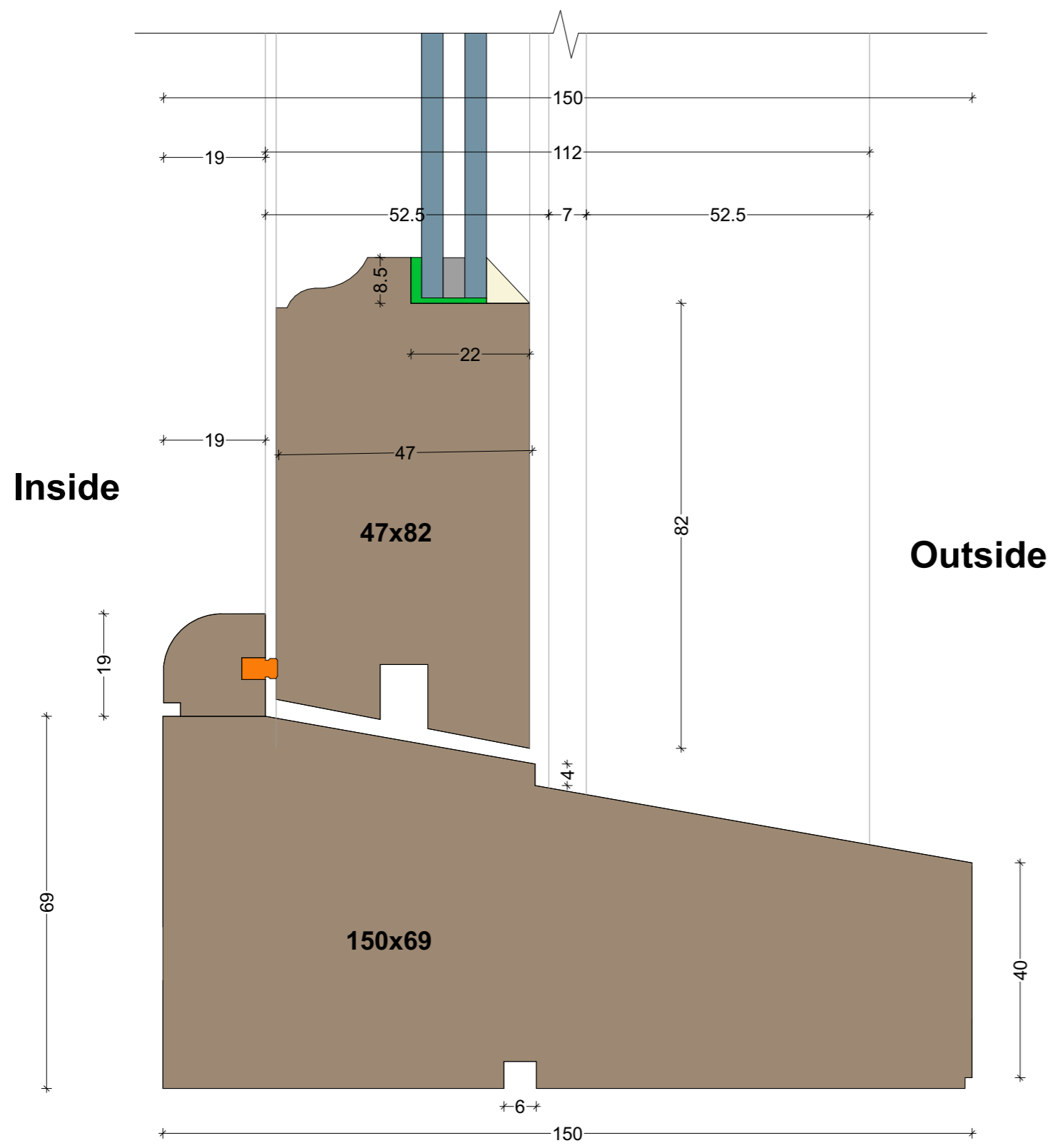
TYPICAL SASH HEAD DETAIL



TYPICAL MEETING RAIL DETAIL

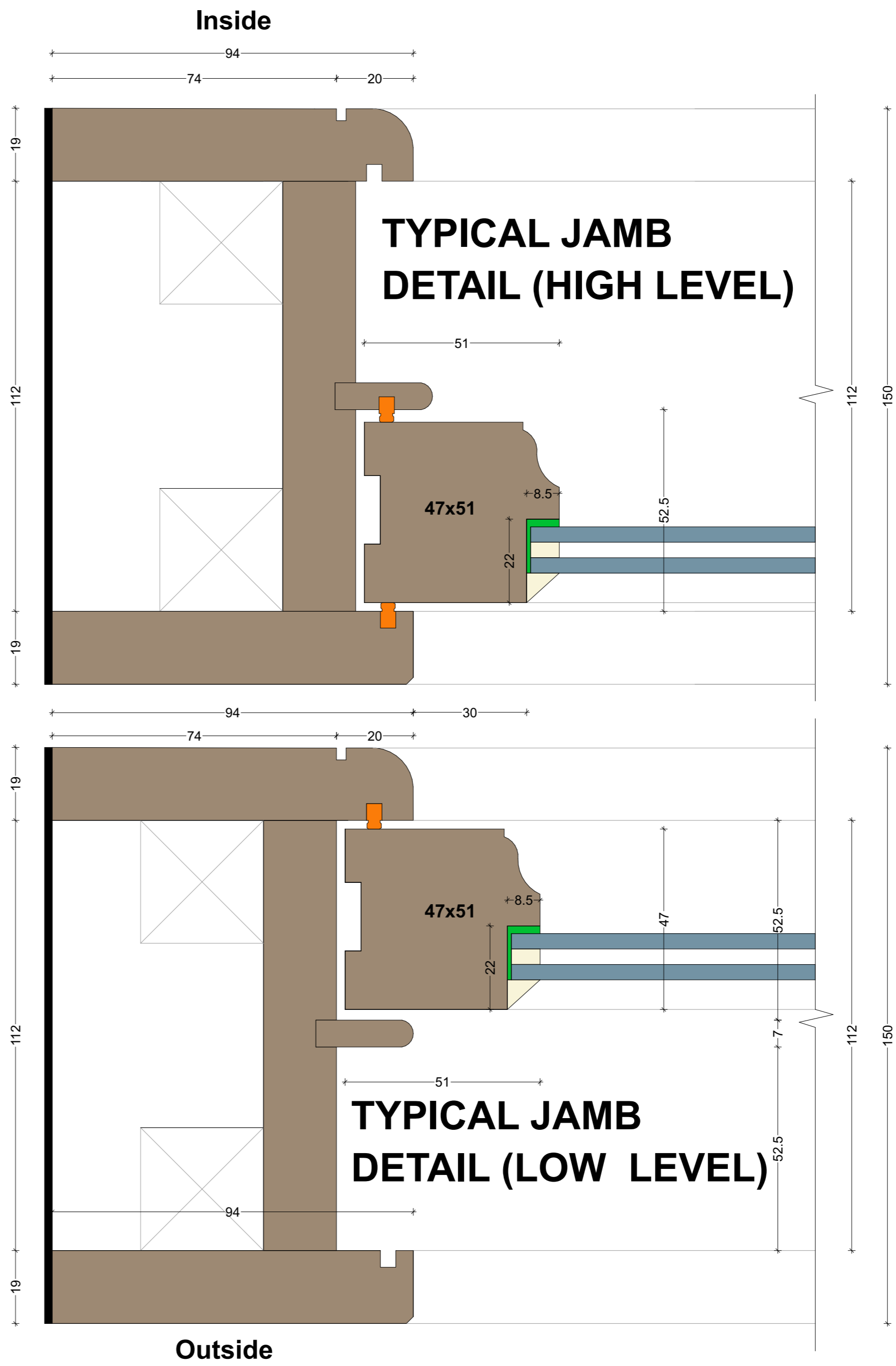


TYPICAL GLAZING BAR DETAIL



TYPICAL SASH SILL DETAIL

Frame to seal tolerance to be verified by window manufacturer to ensure suitable seal



TRADITIONAL WEIGHTED SLIDING SASH WINDOW DETAIL

Rev.	Date	Description	Drawn
This drawing is copyright of Halsall Lloyd Partnership & must not be reproduced unless specifically agreed in writing.			

Scale

North

Offices at: Liverpool & Nottingham
 Halsall Lloyd Partnership
 Address: 98 Duke Street
 Post Code: L1 5AG
 Issuing Office: Liverpool
 Tel: 0151 708 8944
 Website: www.hlpdesign.com

Drawing Title: TRADITIONAL WEIGHTED SLIDING SASH WINDOW DETAIL
 Project: Number 1-4, Almhouses, Stydd lane, Ribchester, PR3 3YQ
 Client: Your Housing Group
 Scales: 1:1
 First Issue Date: 31/05/2024
 Job Number / Draw. No. / Revision: 3184_D_07_V01
 RIBA Stage: Drawing Status
 Drawn: BMc
 Check: GL
 [2] - PRELIMINARY

