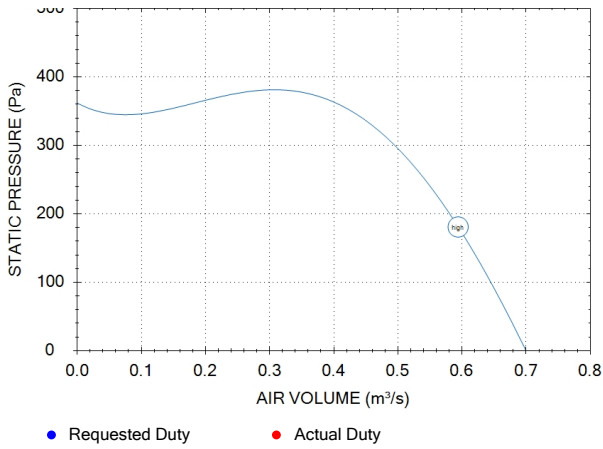


Performance Chart



17112010

Tech Ref File:
 Stock Reference: 17112010
 Product Description: ACM315
 Product Type: Ventilation
 Product Range: In-Line Fans
 Impeller: Mixed Flow
 Casing: Galvanised sheet metal
 Speed: 2840 rpm
 Airstream Temperature: -5°C to 40°C
 dBA: 34
 Specific Fan Power & dB(A) shown are at duty point.

Warranty: 2 Years

Electrical Information

Supply Voltage: 220-240V/1/50Hz
 Full Load Current: 1.6 A
 Starting Current: 1.2 A
 Motor Poles: 2
 Motor IP Rating: IP54
 Speed Controllable: Yes

Acoustic Information

	63	125	250	500	1k	2k	4k	8k	Total	dBA@3m
Inlet	-	45	60	66	68	69	67	56	74	54
Outlet	-	47	69	71	72	72	66	67	78	57
Breakout	-	38	41	46	50	49	46	41	55	34

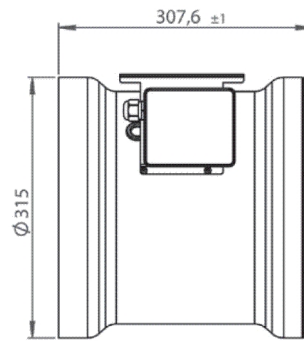
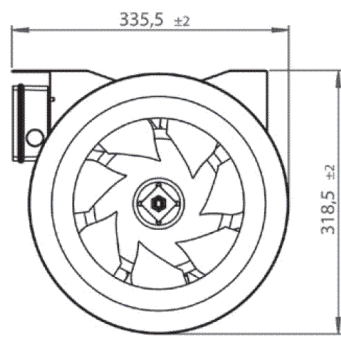
Sound Power Level Spectra dB (re 10⁻¹² Watts)

For ducted units, sound power is given as In Duct with end reflections added.
 Stated dB(A) levels at 3m with spherical propagation at a reference level of 2 x 10⁻¹² Pa

Optional Accessories

Part No	Description
10314103	3 AMP SINGLE PHASE CONTRO

Dimensions



A	B	C	D	E	F	G	H
310	335	220	455	190	210	182	178

Dimensions shown in mm
Weights in kg