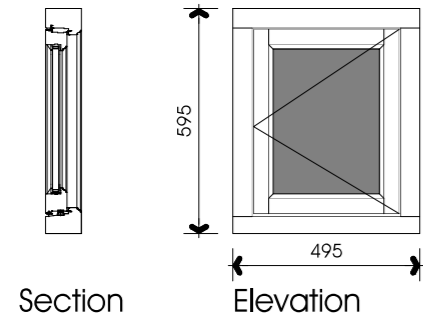


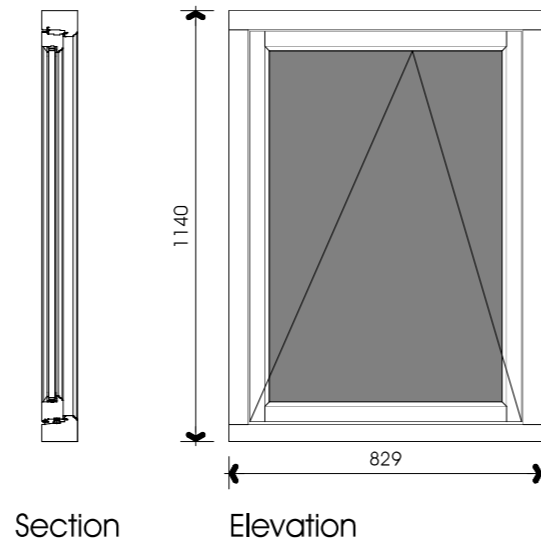
NOTES:
1: This drawing is for Planning Application purposes only



W1



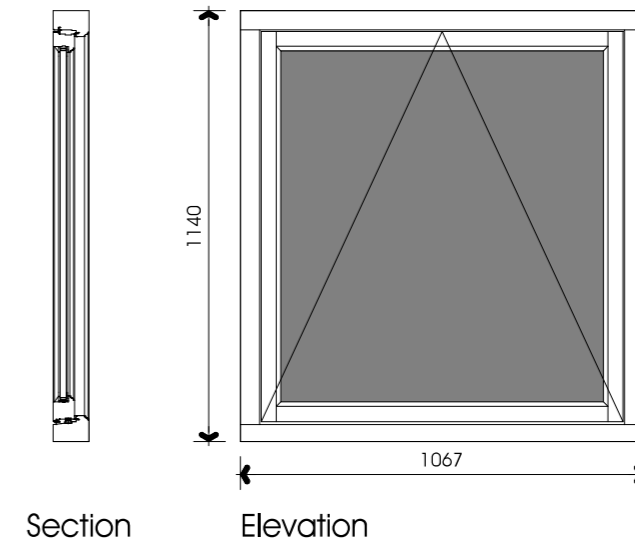
Plan



W2



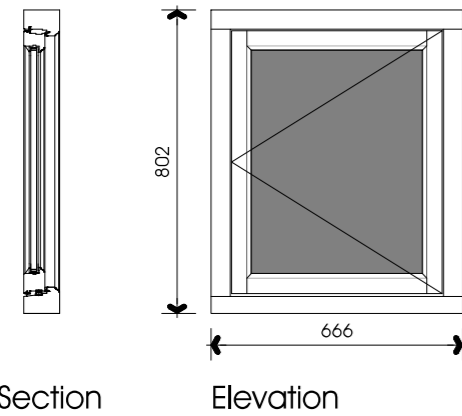
Plan



W3



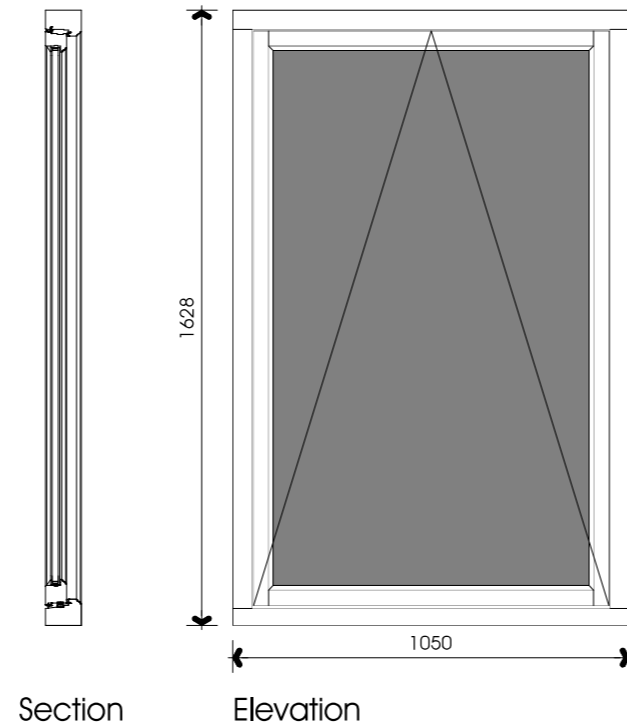
Plan



W4



Plan



W5 & 6



Plan

REV A Oct 24th 2025 Revised door and window patterns

Proposed Conversion, Barn 2
Writtenstone Farm, Written Stone Lane, PR3 2ZN
Mr. & Mrs. Norris

Planning Application
Proposed Window Details

DATE July 2025

JOB NO. 3428-B2
DRAWING NO. 007
REVISION A
SCALE 1:20 @ A3

