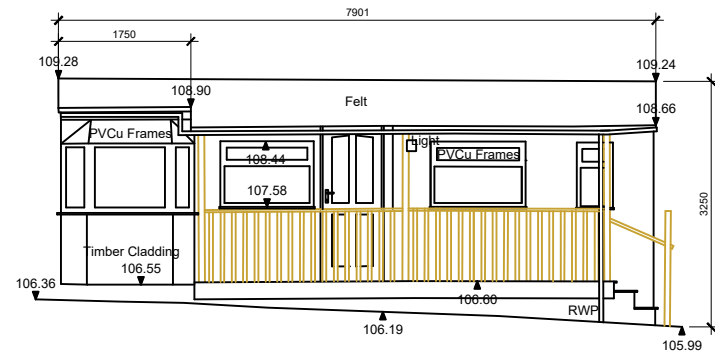


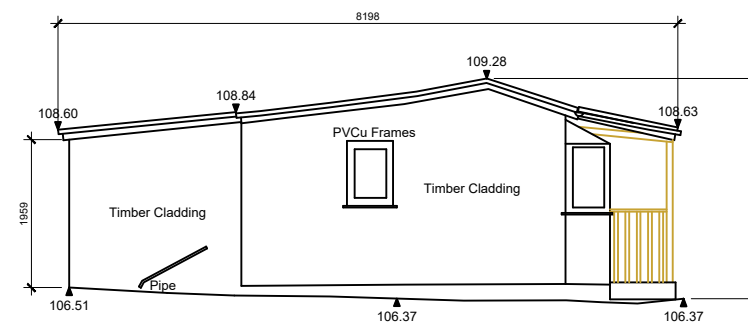
Notes:

1. Notes



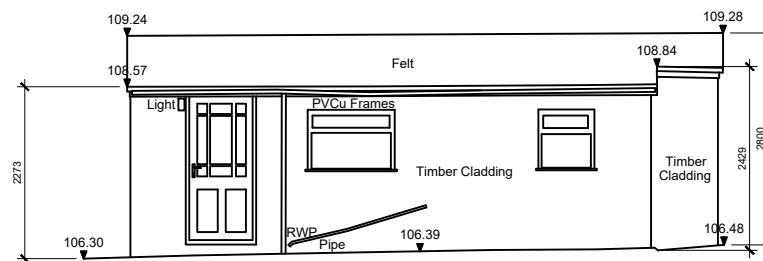
▼ 105.00m above OS Datum

### North Elevation



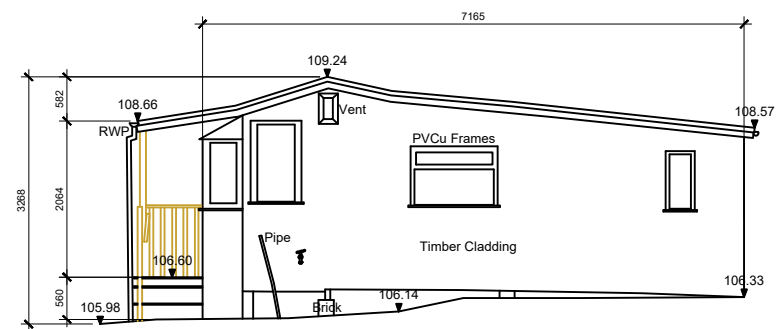
▼ 105.00m above OS Datum

### East Elevation



▼ 105.00m above OS Datum

### South Elevation



▼ 105.00m above OS Datum

### West Elevation

REV: DESCRIPTION: BY: DATE:  
 © All works copyright of Black Barn Architecture  
 This drawing has been produced for Mr Hull for in relation to Longridge Road and prepared solely for the status indicated. It is not for use by any other person or for any other purpose.  
 STATUS: **Stage 3 - Spatial Coordination**



SITE:  
**Longridge Road  
 Hurst Green  
 Lancashire  
 BB7 9QP**

CLIENT:  
**Mr Hull**

JOB TITLE:  
**Hazel-Mere**

DRAWING TITLE:  
**Existing Elevations**

DATE: 10/09/24	DRAWN: CR	CHECKED: MS	PAPER SIZE: A3 (420x297mm)
JOB NO: BBA_232	DRAWING NO: E20	REVISION: A	

**EXISTING ELEVATIONS**  
 SCALE 1:100

