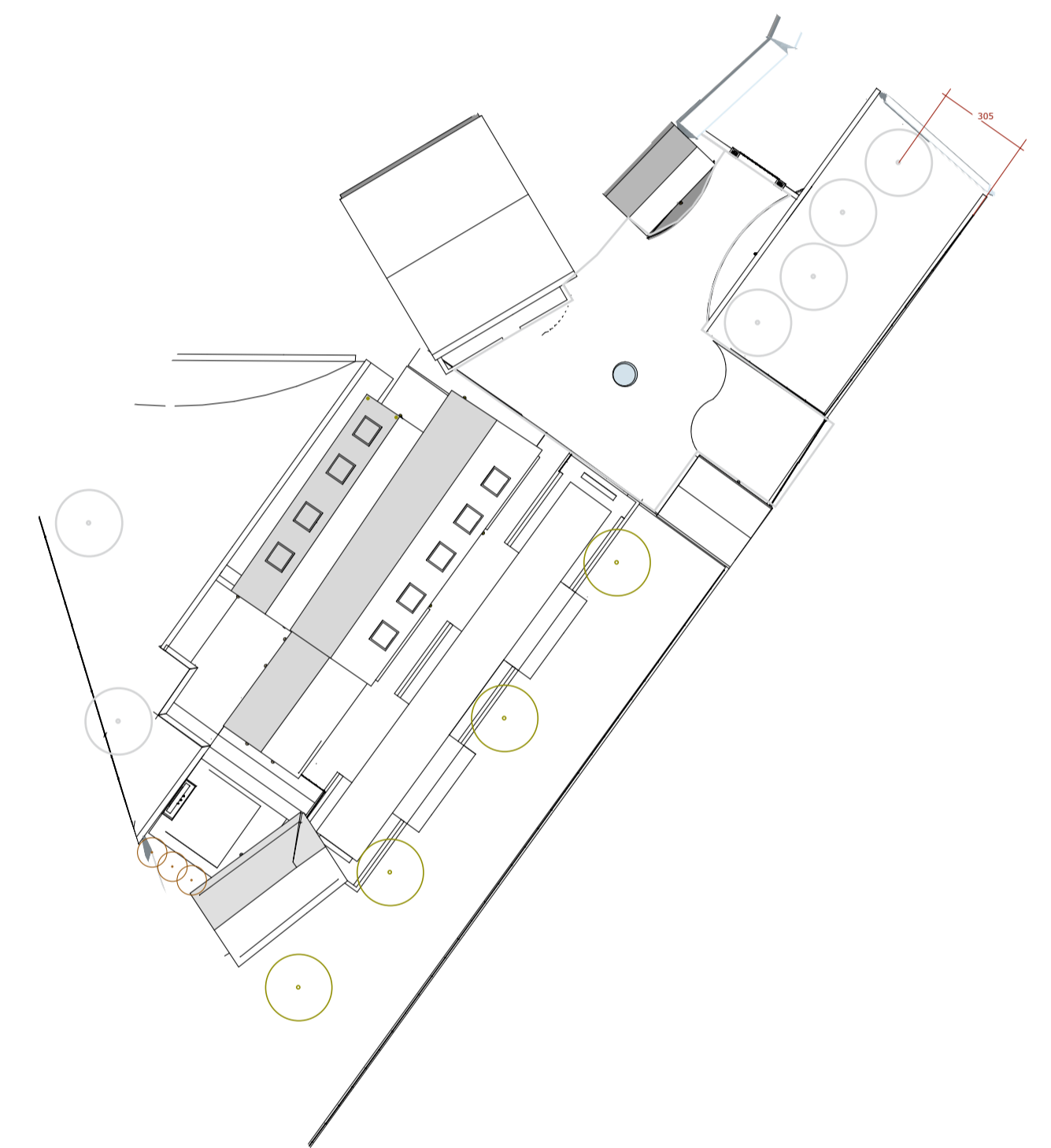


JIM LAWRENCE HACKNEY OUTDOOR LANTERN IN ANTIQUE BRASS - IP33 - BC / B22 3 WATT BULB IN WARM WHITE LUMEN OUTPUT 290lm.



JIM LAWRENCE STANDARD CANTERBURY WALL LIGHT IN ANTIQUE BRASS - IP23 - BC / B22 3 WATT BULB IN WARM WHITE LUMEN OUTPUT 290lm.

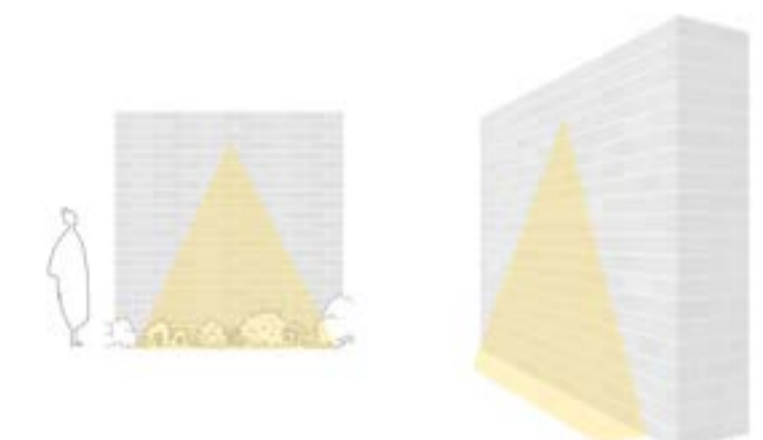


SCALE 1 : 500

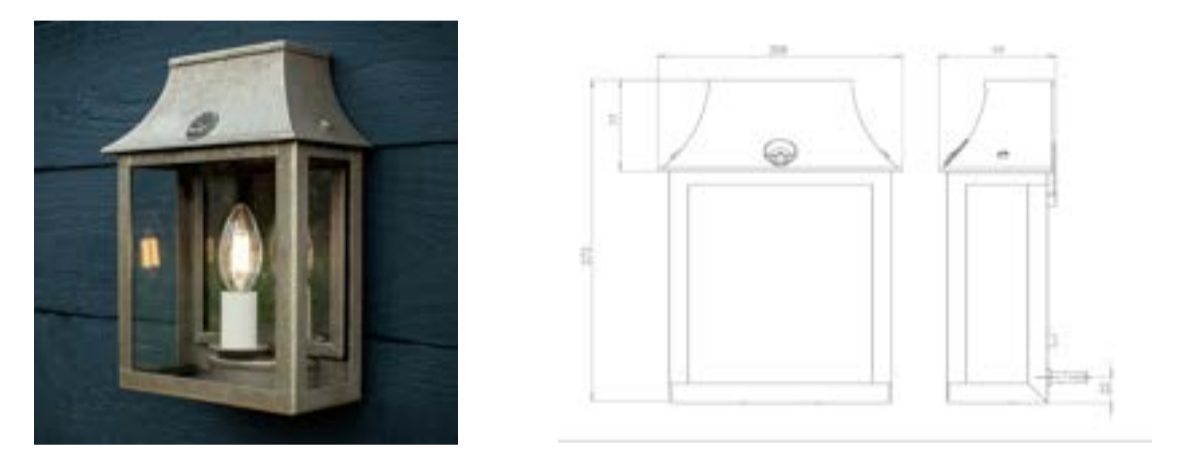
SYMBOL	LIGHT FITTING	LUMENS (lm)	NUMBER
•	JIM LAWRENCE DALSTON WALL LIGHT	220	6
•	JIM LAWRENCE PEACOCK LANTERN VINTAGE	470	2
•	JIM LAWRENCE STANDARD CANTERBURY WALL LIGHT	290	4
•	JIM LAWRENCE HACKNEY OUTDOOR LANTERN	290	2



JIM LAWRENCE DALSTON OUTDOOR WALL LIGHT IN ANTIQUE BRASS - IP44 - 3 WATT GU10 SPOTLIGHT BULB IN WARM WHITE LUMEN OUTPUT 220lm.



JIM LAWRENCE DALSTON OUTDOOR WALL LIGHT IN ANTIQUE BRASS —DOWN LIGHT WALL EFFECT - maximum 2 metres high LUMEN OUTPUT 330lm.



JIM LAWRENCE PEACOCK LANTERN VINTAGE MIRROR IN ANTIQUE BRASS - IP33 - DIMMABLE BELL SBC 3.3W CANDLE FILAMENT BULB. LUMEN OUTPUT 470lm.

B12 Electrical
 ALL LIGHT FITTINGS HAVE BEEN SITED TO CAUSE MINIMAL DISRUPTION TO LOCAL BIRDS AND WILDLIFE. Downward illuminating to the horizontal plane. Fittings sited no higher than 2 metres from ground level - No uplighting across the scheme.
 2700K or warmer in colour temperature, 1800K / amber optic where possible.
 No lighting near outer hedgerows or dedicated biodiverse areas.
 Lighting system with motion sensors and timer so lights are only on when required.
 All lighting fades off towards the boundary of the property.

B1200 ELECTRICAL WORK
 The design and installation shall be to BS 7671 and Part P of the Building Regulations. If there is any contradiction between the specification and BS, comply with the current version of the BS.
 Electrical work shall only be carried out by a contractor who is a member of the one of the Competent Person Scheme providers, which include the NICEIC and the ELECSA.
 experienced in SELV (Separated extra low voltage) external lighting.

B1202 COMPLETION CERTIFICATE
 The electrical contractor shall issue an NICEIC test certificate (or shall obtain a Local Authority Building Control equivalent) for all work that is notifiable under Part P of the Building Regulations.

B1210 AS-INSTALLED DRAWINGS: see specification clause A662/A665* for as installed drawings and other requirements on completion of the Works.

B1215 TREE ROOTS: Avoid routing underground cables near existing trees. Where this is unavoidable work to specification clause A506.

LIGHTING DESIGN

A1.0

WM DESIGN STUDIO LTD
 FIRST FLOOR
 SWAN BUILDINGS
 20 SWAN STREET
 NORTHERN QUARTER
 MANCHESTER
 M4 5JW
 T. 0161 7960110
 e. hello@wm-design-ltd.co.uk

PROJECT ADDRESS : WRITTEN STONE FARM
CLIENT : CLARE AND DARREN HARGREAVES - NORRIS

DRAWING TITLE : LIGHTING DESIGN

PROJECT NO : 016
PAPER SIZE : A1
AUTHOR : DN revised 2

STATUS : PLANNING
DATE : 19. 11. 25
PAGE : 1

This project is the copyright of WM DESIGN STUDIO LTD. It shall be read in conjunction with all other associated project information including models, specifications, schedules and related consultants documents. All dimensions to be checked on site. Immediately report any discrepancies, errors or omissions on this document to the originator.