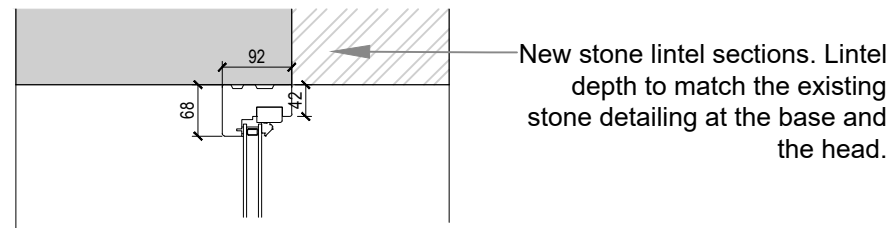
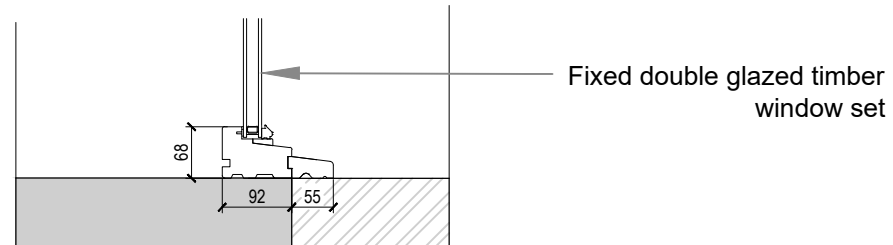


All levels and dimensions to be checked on site prior to construction / fabrication; report discrepancies immediately.
 Scale for Planning purposes only.
 This drawing is copyright protected.

REVISION

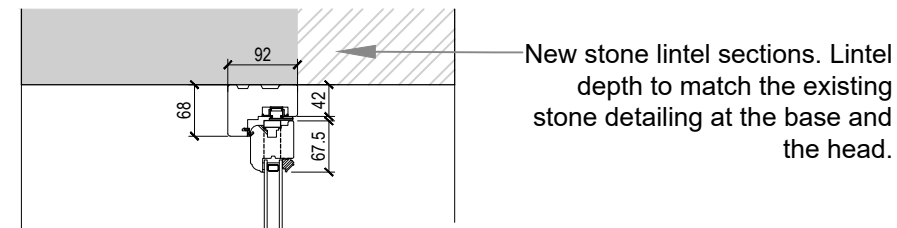


New stone lintel sections. Lintel depth to match the existing stone detailing at the base and the head.

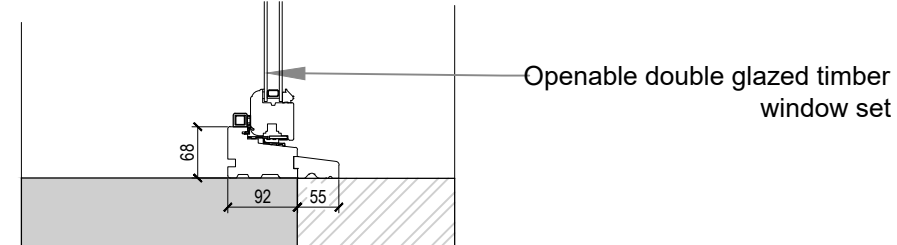


Fixed double glazed timber window set

Fixed Window
 Proposed Section View 1:10



New stone lintel sections. Lintel depth to match the existing stone detailing at the base and the head.

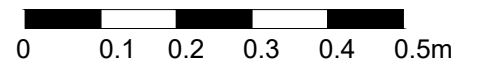


Openable double glazed timber window set

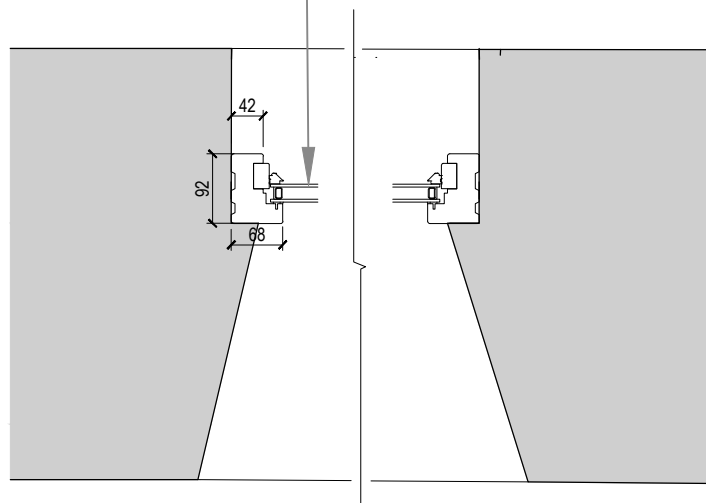
Openable Window
 Proposed Section View 1:10

PLANNING

SCALE 1:10

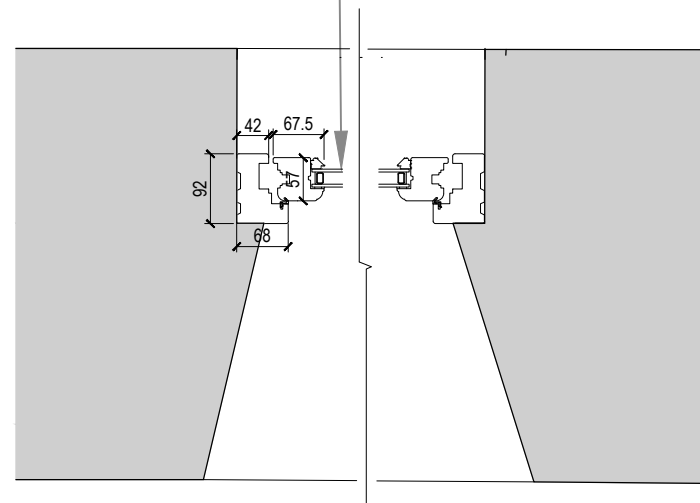


Fixed double glazed timber window set



Fixed Window
 Proposed Plan View 1:10

Openable double glazed timber window set



Openable Window
 Proposed Plan View 1:10

DATE • 02.06.25 DRAWN • RH
 SCALE • 1:10 CHECKED •

PROJECT
 Mulberry Grange

DRAWING
 Vertical Window Detail
 Sheet 2 of 2



12 CARPENTER STREET • PERTH • PH1 5LZ

01738 230360

WWW.TRAILARCHITECTS.CO.UK

DRAWING No.
 24046_PL(32)103