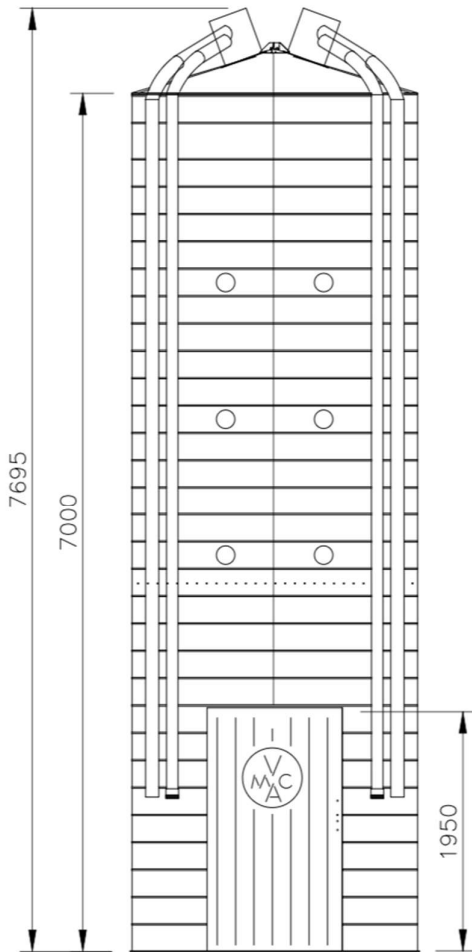
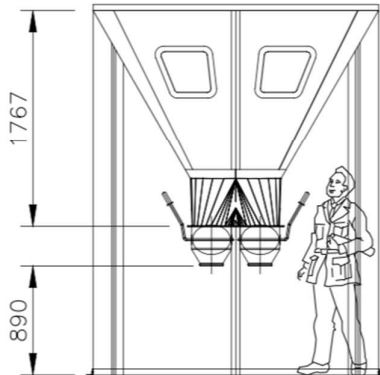


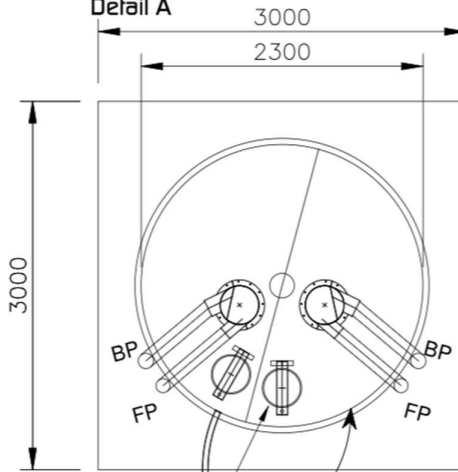
10ton Split Silo Details



Above silo is single door

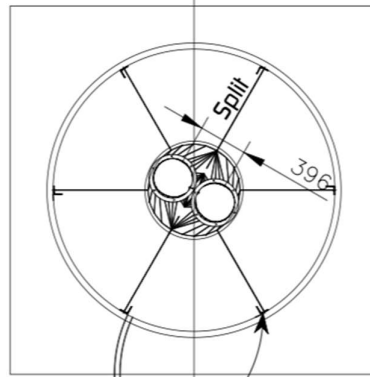


2.3m Split Silo Double Door  
Detail A



Inspection hatches

Detail B



Outlet Flange Details

- OD = 390mm
- ID = 323mm
- PCD = 358.5
- # Holes = 6
- Hole Dia = 9mm

