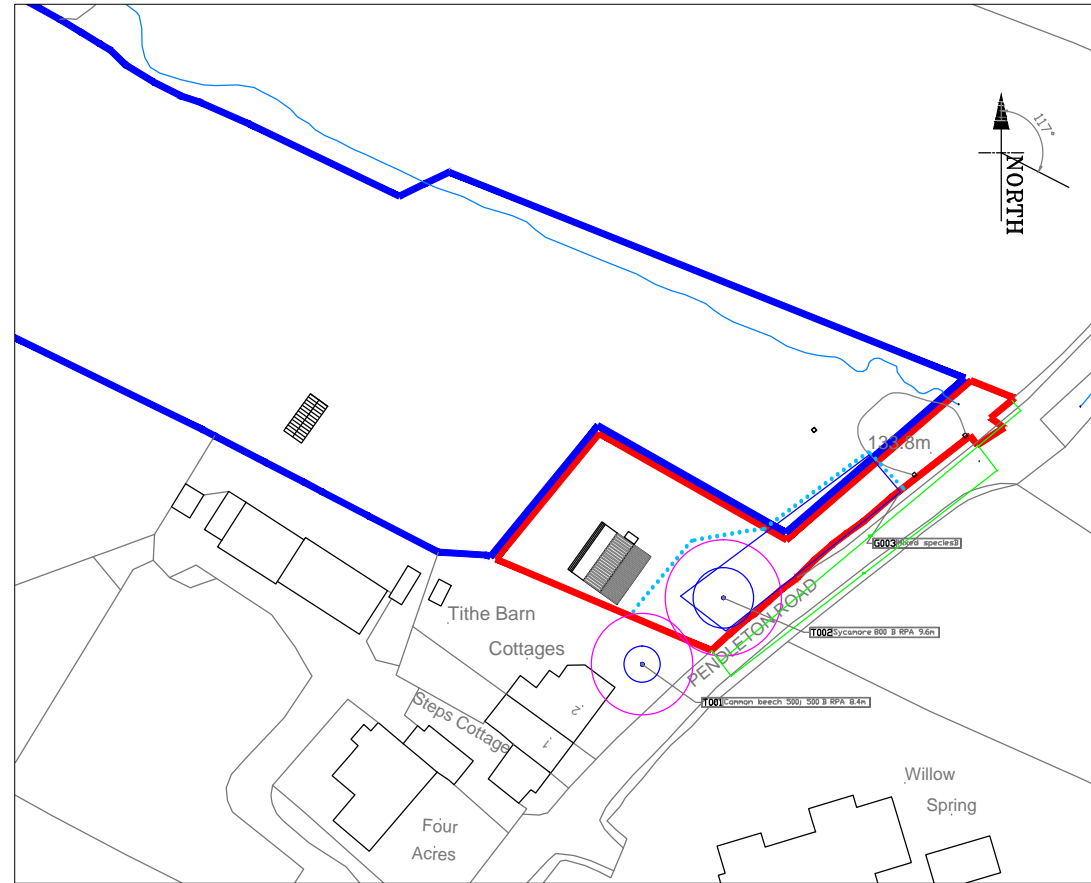


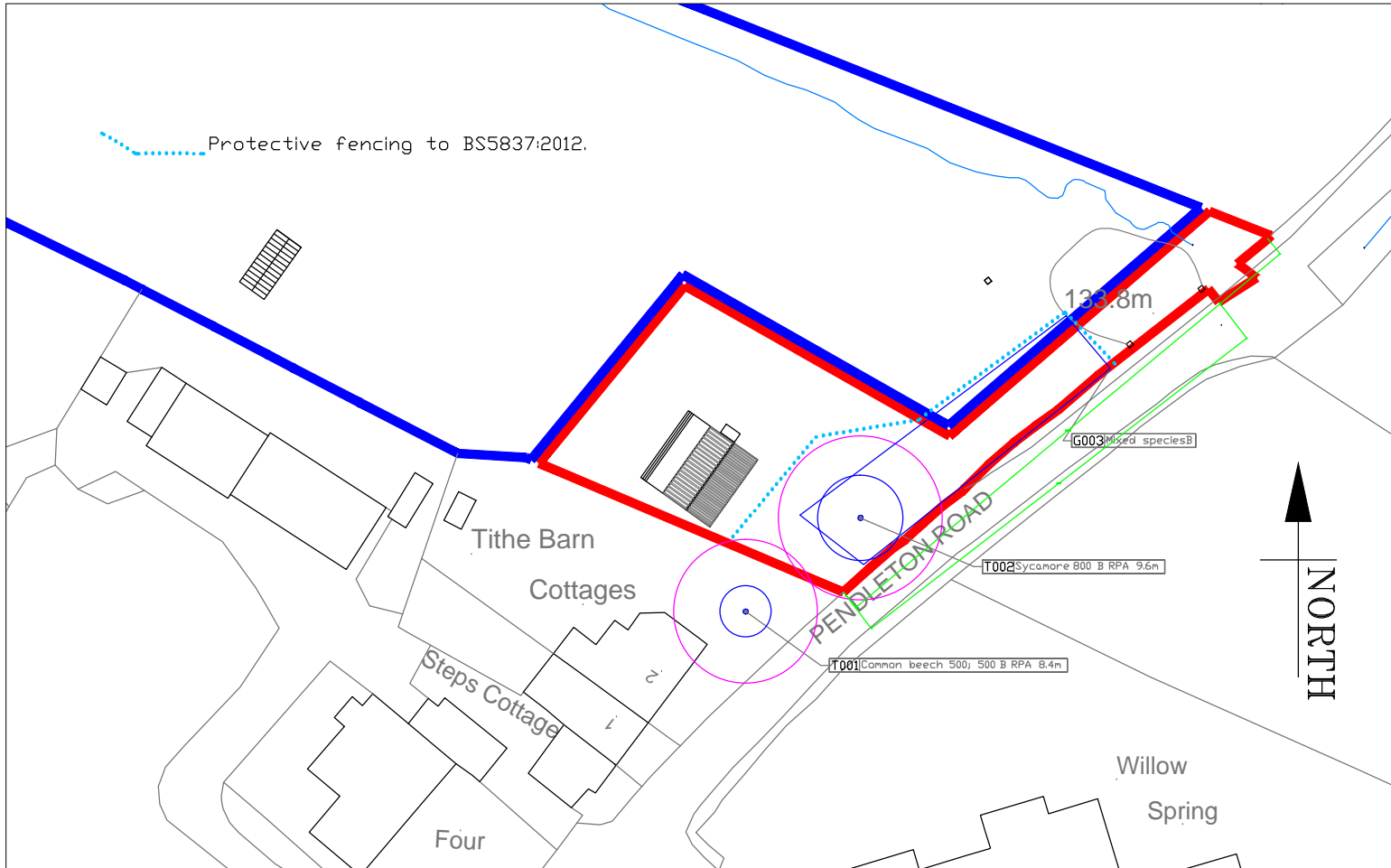
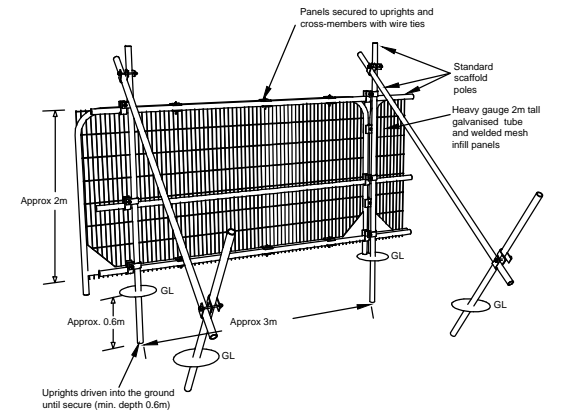
Crown Copyright and database rights 2025
OS Licence no. 100041041

LOCATION PLAN SCALE 1:2500



LOCATION PLAN SCALE 1:1250

Default specification for protective barrier



LOCATION PLAN SCALE 1:500

Legend

tree number common name tag number root protection area (RPA) for retained trees

T13 oak 1234
0.24m A1 RPA 3.6m

diameter in metres*
British Standard category in words

indicative crown spread based on measurements at cardinal points (N,S,E,W). Trees for removal shown in red canopy outline

British Standard category as colour coded circle: ● A ● B ● C ● U

root protection area (RPA) radius in metres.

*where the tree is multi stemmed, the figure stated is the calculated combined stem diameter, as recommended by BS5837:2012 (unless otherwise stated in the drawing).

BS5837:2012 Cascade chart for tree quality assessment					
Category & Definition	Criteria (including subcategories where appropriate)	Identification on plan			
Trees unsuitable for retention					
Category U	Trees that have a serious, irredeemable structural defect, such that their early loss is expected due to collapse including those that will become unstable if free removal of other category U trees (eg where, for whatever reason, the loss of companion shelter cannot be mitigated by pruning); Trees that are dead or are showing imminent, and irreversible overall decline; Trees infected with pathogens of significance to the health and/or safety of other trees nearby, or very low quality trees suppressing adjacent trees of better quality; RPIE Category U trees can have existing or potential conservation value which it might be desirable to preserve.	Red on plan	RGB 127,0,0		
Trees to be considered for retention					
Category A	1. Mainly arboricultural qualities 2. Mainly landscape qualities 3. Mainly cultural values, including conservation				
Category B	Trees of high quality with an estimated remaining life expectancy of at least 40 years	Trees that are particularly good examples of their species, especially if rare or unusual or those that are essential components of groups or forests or semi-forests of groups or forests (e.g. those that are dominant and/or principal trees within an avenue)	Trees, groups or woodlands of particular visual importance as individual trees or landscape features	Light green	RGB 0,255,0
Category C	Trees of moderate quality with an estimated remaining life expectancy of at least 20 years	Trees that might be included in category A, but are downgraded because of impaired condition (e.g. presence of significant though remediable defects, including unsymmetrical past management and stem damage), such that they are unlikely to be suitable for retention for beyond 40 years, or trees lacking the special quality necessary to merit the category A designation	Trees present in numbers, usually growing as groups or woodlands, such that they merit a higher collective rating than they might as individuals or trees occurring as collectives but situated so as to make little visual contribution to the site locality	Mid blue	RGB 0,0,255
Category U	Trees of low quality with an estimated remaining life expectancy of at least 10 years, or young trees with a stem diameter below 150mm	Unremarkable trees of very limited merit or such impaired condition that they are not suitable in higher categories	Trees present in groups or woodlands, but without the conferring on them significantly greater collective landscape values and/or trees offering low or only temporary/transient landscape benefits	Grey	RGB 091,091,091

LAND OFF PENDLETON RD, WISWELL. BB7 9BZ

date MAR 2026	drawn	checked	rev
scale 1:1250	project no.	drawing no.	

