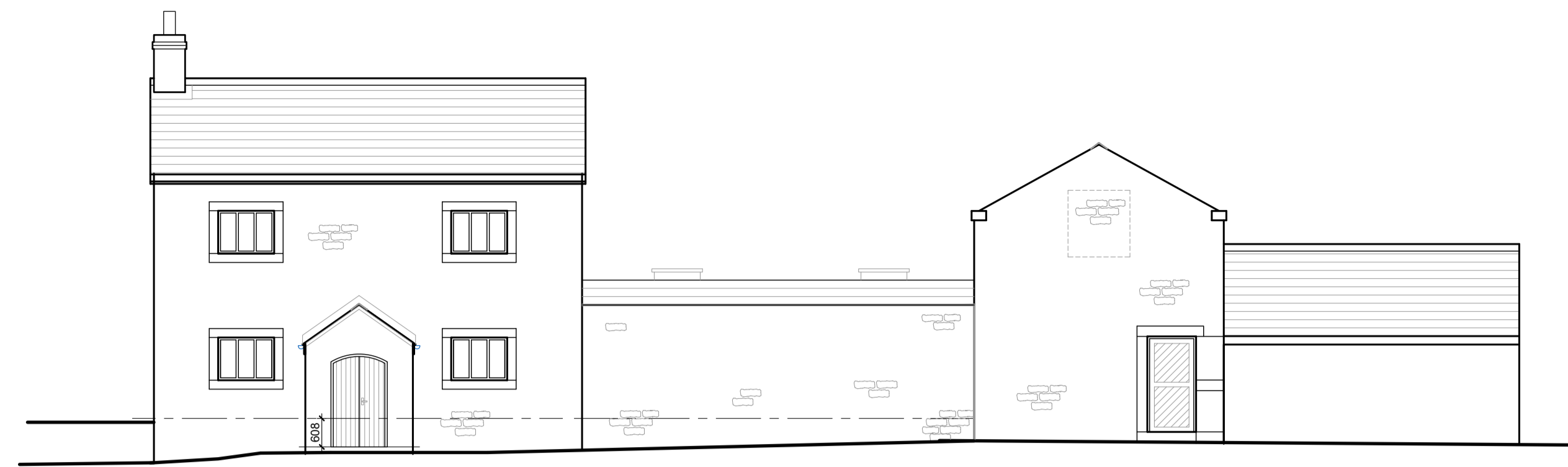
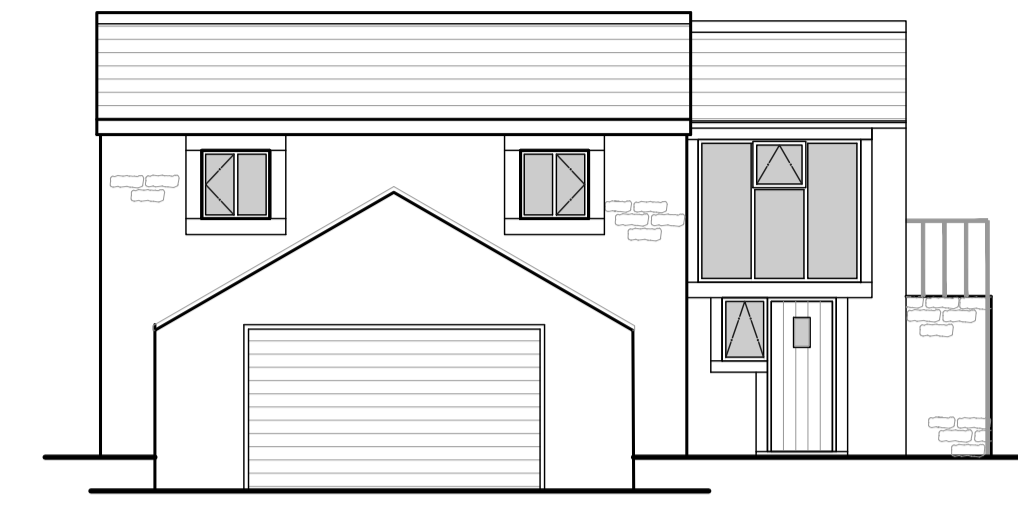


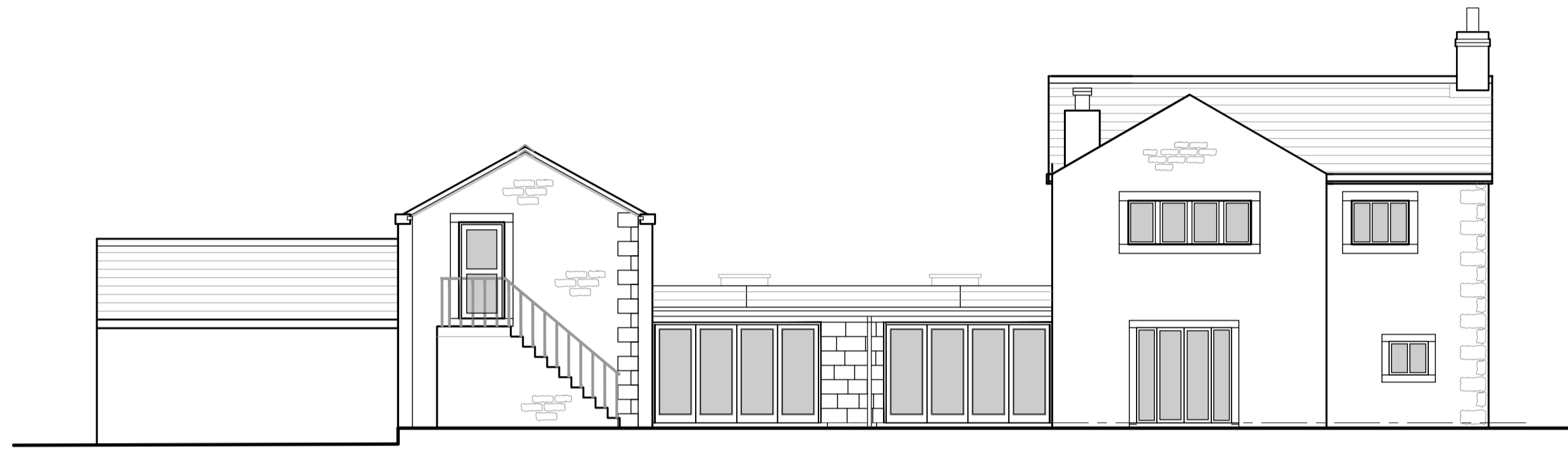
West Elevation
1:100 Scale



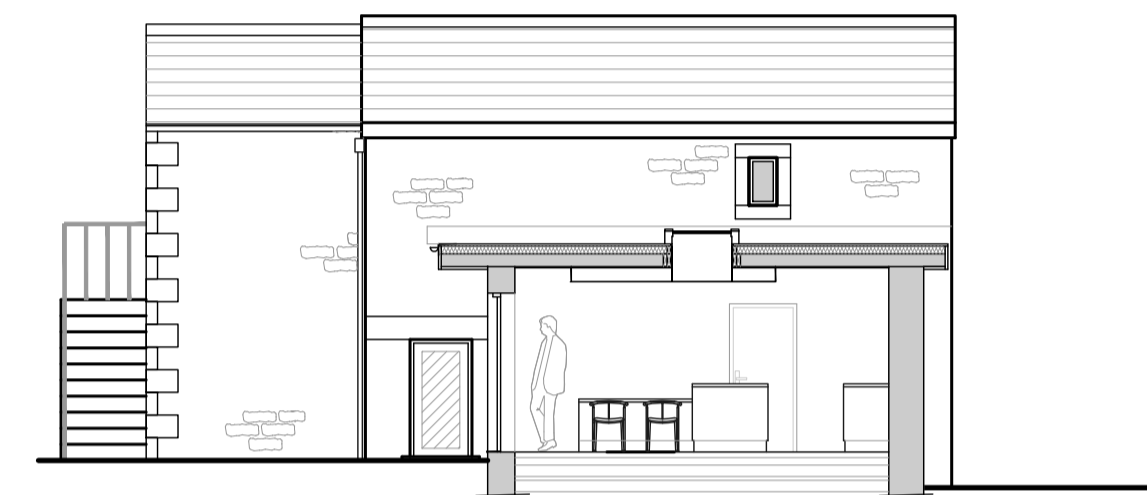
South Elevation
1:100 Scale



East Elevation
1:100 Scale



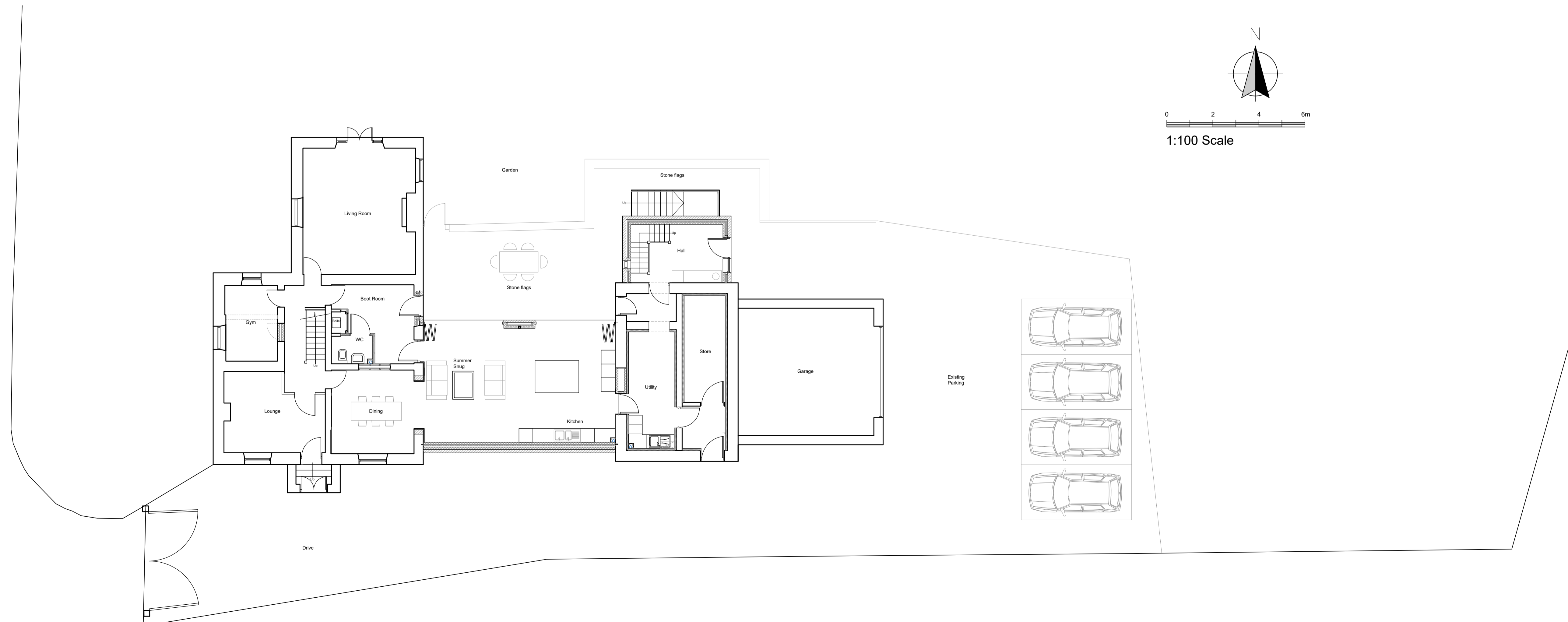
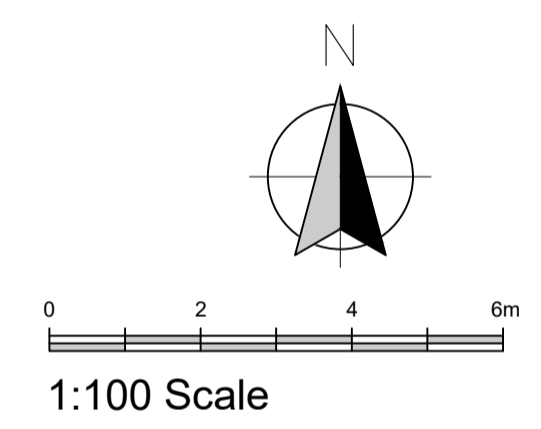
North Elevation
1:100 Scale



Barn West Elevation
1:100 Scale



Dwelling East Elevation
1:100 Scale



Ground Floor Plan / Part Site Plan
1:100 Scale

Rev A: Updates to drawings following site survey with regards proposed extension. 02.12.2025

Client
Mr Lloyd and Mrs Rawstorne

Job Title
Proposed Extension
Lower Yew Tree Farm
Alston Lane
Preston
PR3 3BN

Drawing Title
Existing Ground Floor Plan and Elevations

Scale 1:100 @ A1	Date Aug 2025	Drawn Craig Harrison
---------------------	------------------	-------------------------

spa
SUNDERLAND PEACOCK ARCHITECTS
SUNDERLAND PEACOCK & ASSOCIATES LTD.
HAZELMERE, PIMLICO ROAD, CLITHEROE
LANCASHIRE, BB7 2AG
T 01200 423178 F 01200 427328
E info@sunderlandpeacock.com
www.sunderlandpeacock.com

7313-001A