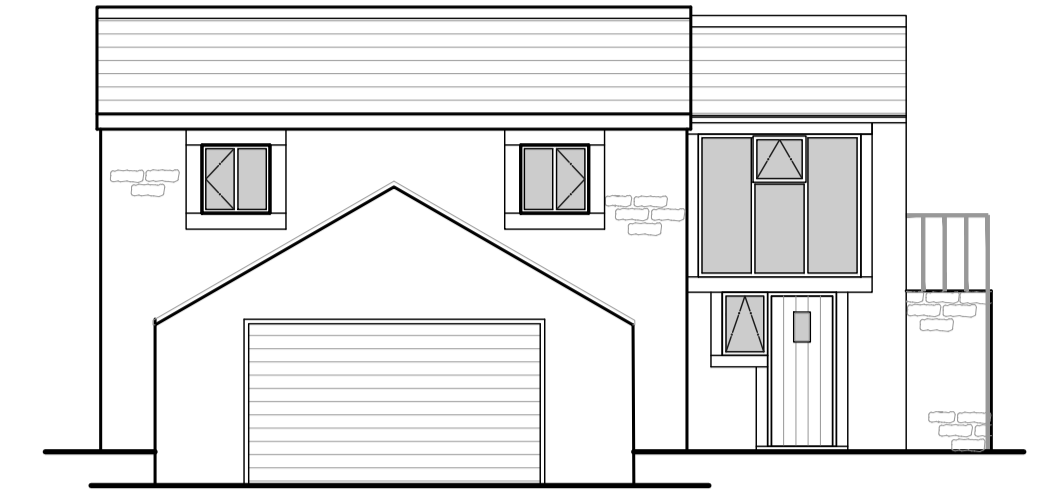




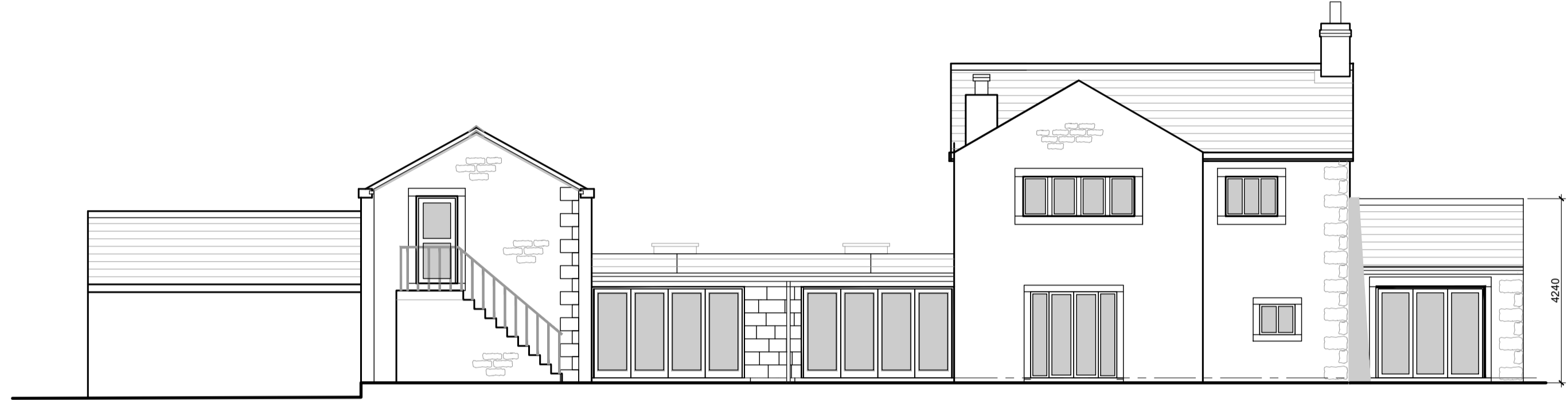
West Elevation
1:100 Scale



South Elevation
1:100 Scale



East Elevation
1:100 Scale



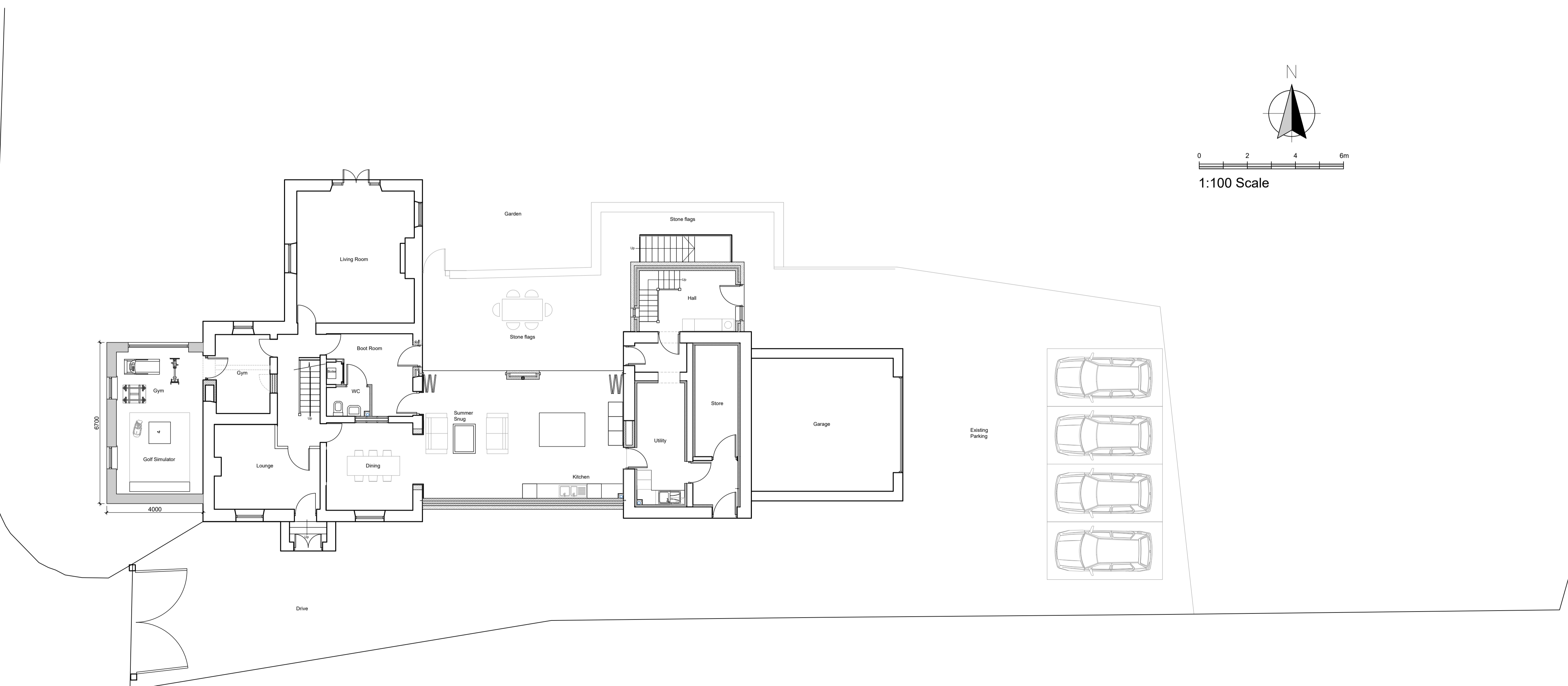
North Elevation
1:100 Scale



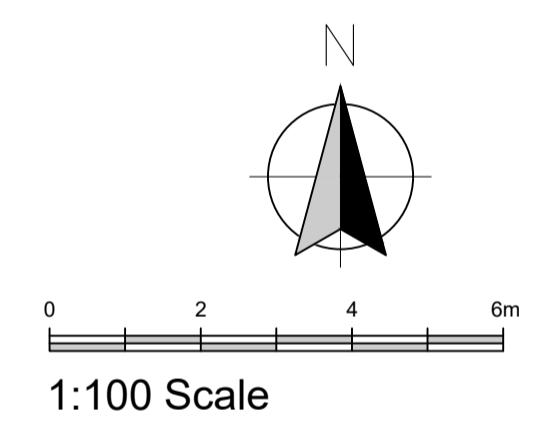
Barn West Elevation
1:100 Scale



Dwelling East Elevation
1:100 Scale



Ground Floor Plan / Part Site Plan
1:100 Scale



Rev A: Updates to drawings following site survey with regards proposed extension. 02.12.2025

Client
Mr Lloyd and Mrs Rawstorne

Job Title
Proposed Extension
Lower Yew Tree Farm
Alston Lane
Alston
Preston
PR3 3BN

Drawing Title
Proposed Ground Floor Plan and Elevations

Scale
1:100 @ A1

Date
Aug 2025

Drawn
Craig Harrison

spa
SUNDERLAND PEACOCK ARCHITECTS

SUNDERLAND PEACOCK & ASSOCIATES LTD.
HAZELMERE, PIMLICO ROAD, CLITHEROE
LANCASHIRE, B57 2JG
T 01200 423178 F 01200 427328
E info@sunderlandpeacock.com
www.sunderlandpeacock.com

7313-003A