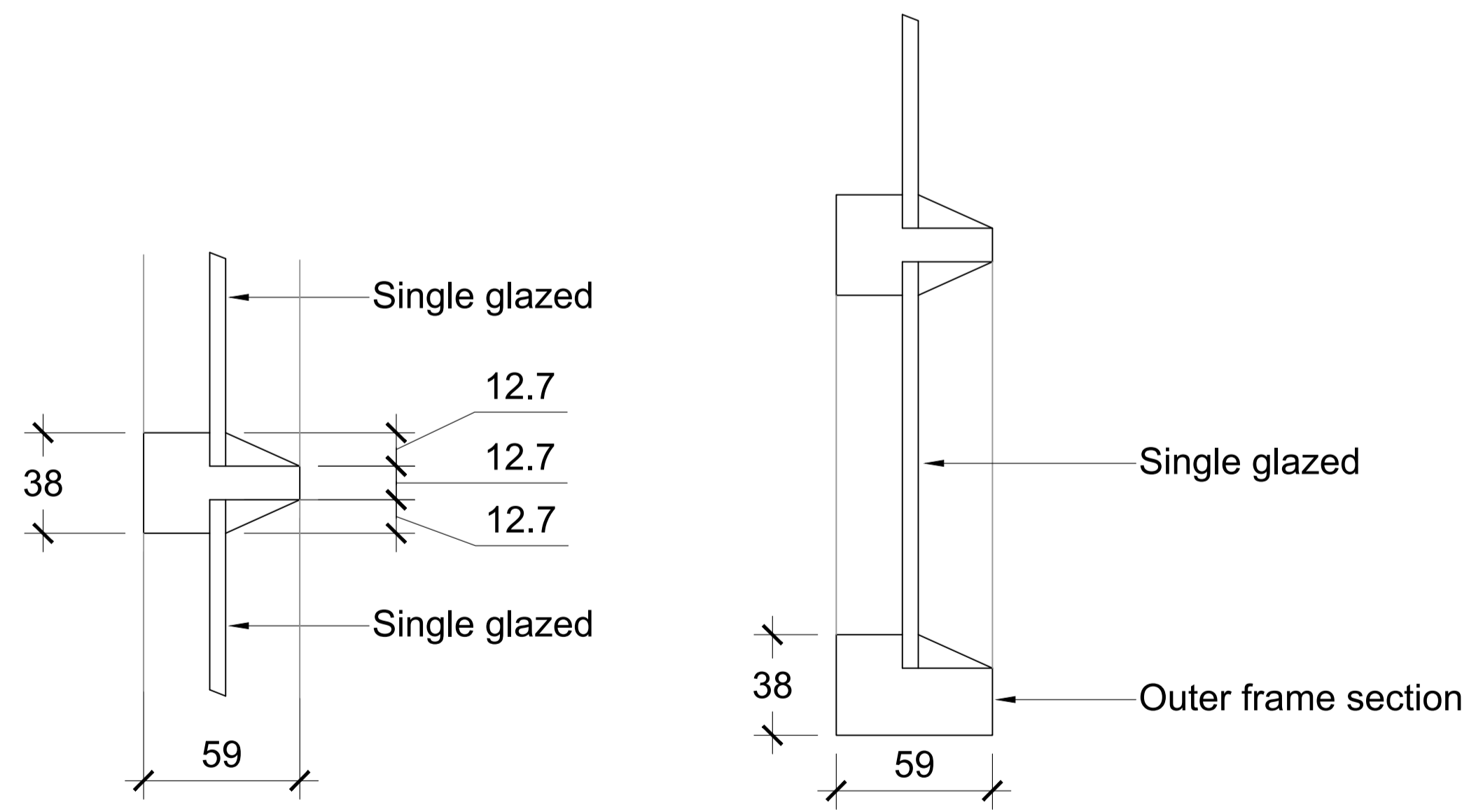
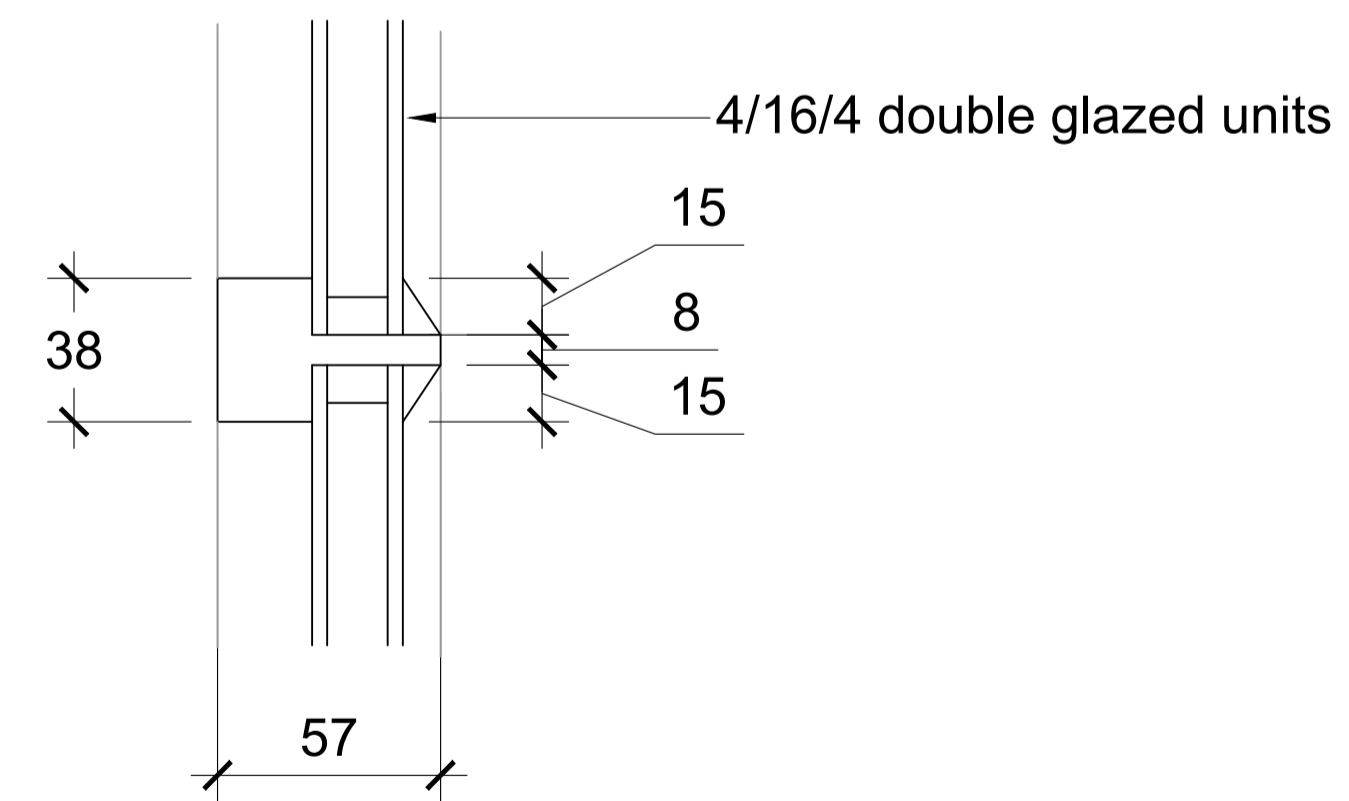


Window Joiners Details
1:2 Scale



Existing Glazing Bead Detail (As above Window Joiners Details)
1:2 Scale



Proposed Glazing / Frame Detail (As above Window Joiners Details)
1:2 Scale

rev	date/hrs	description
project		
33 King St Whalley Internal Refurbishment / Repairs		
drawing title		
33 King Street Whalley Clitheroe BB7 9SP		
dwg purpose		
Retrospective Consent Shop Front - Window Detail		
Harrison Architecture LTD 38 Salthill Road Clitheroe Lancashire BB7 1NU Email: Craig_leigh_harrison@yahoo.co.uk Mobile: 07539 302831		
scale	1:2	
@ sheet size	A1	
KS01	014	
job number	drawing number	revision