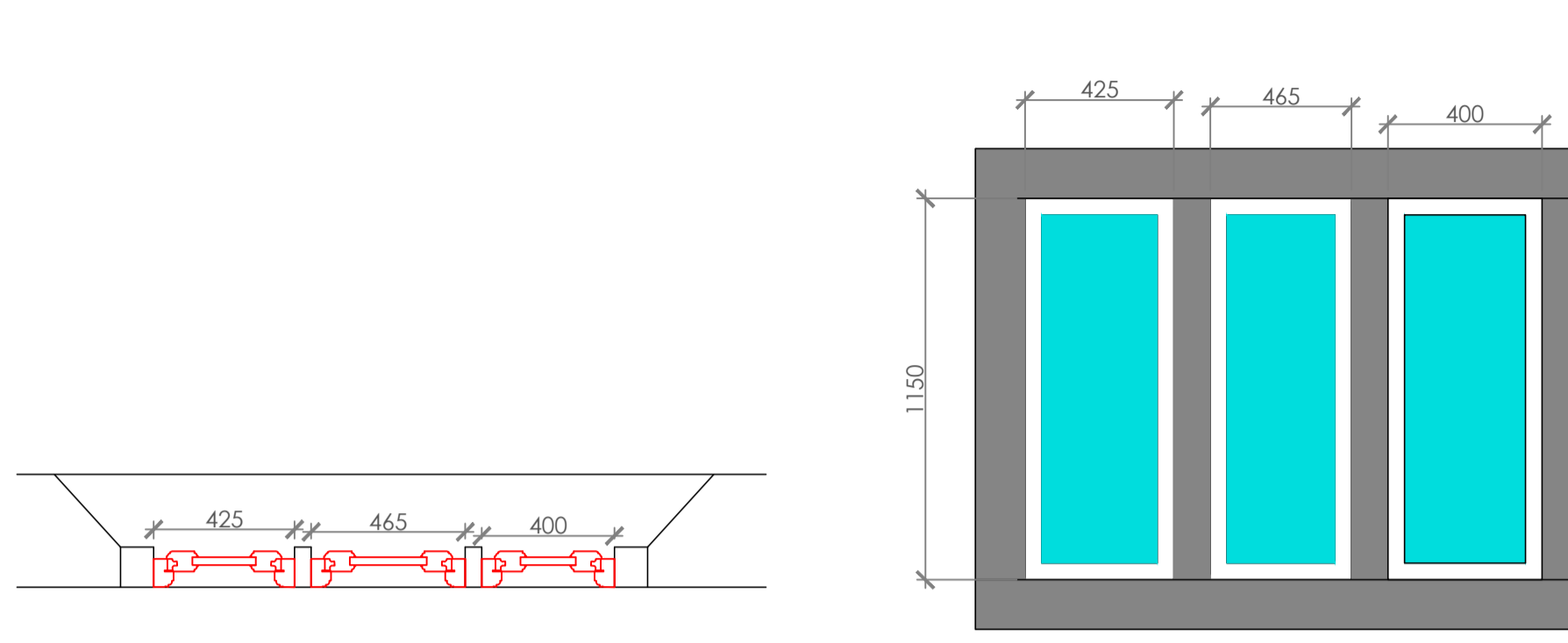


PLAN VIEW

ELEVATION

PROPOSED WINDOW 1

SCALE - 1:20 @ A1

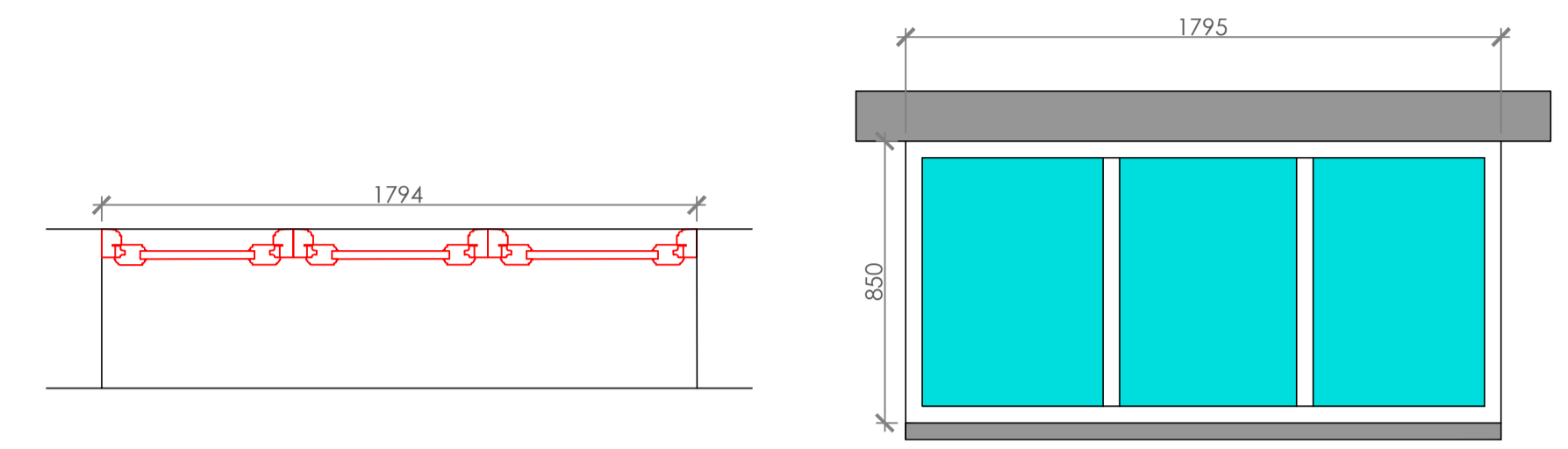


PLAN VIEW

ELEVATION

PROPOSED WINDOW 2

SCALE - 1:20 @ A1

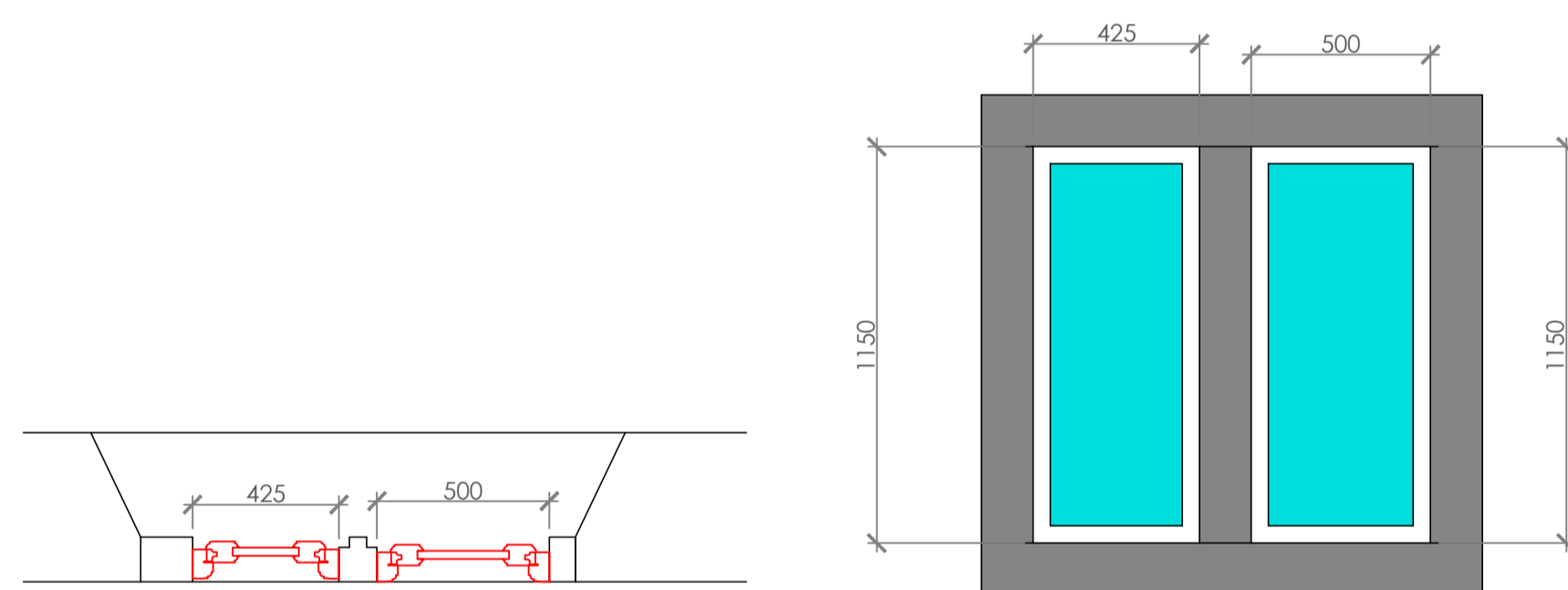


PLAN VIEW

ELEVATION

PROPOSED WINDOW 3

SCALE - 1:20 @ A1

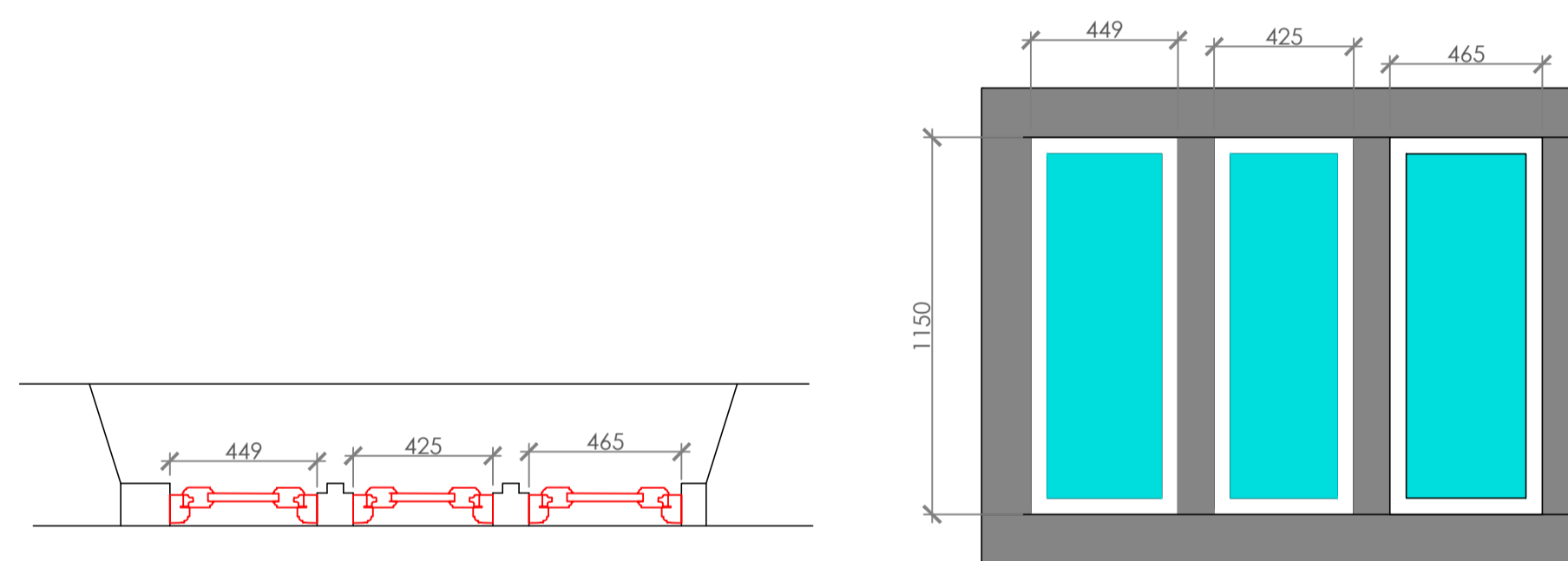


PLAN VIEW

ELEVATION

PROPOSED WINDOW 4

SCALE - 1:20 @ A1

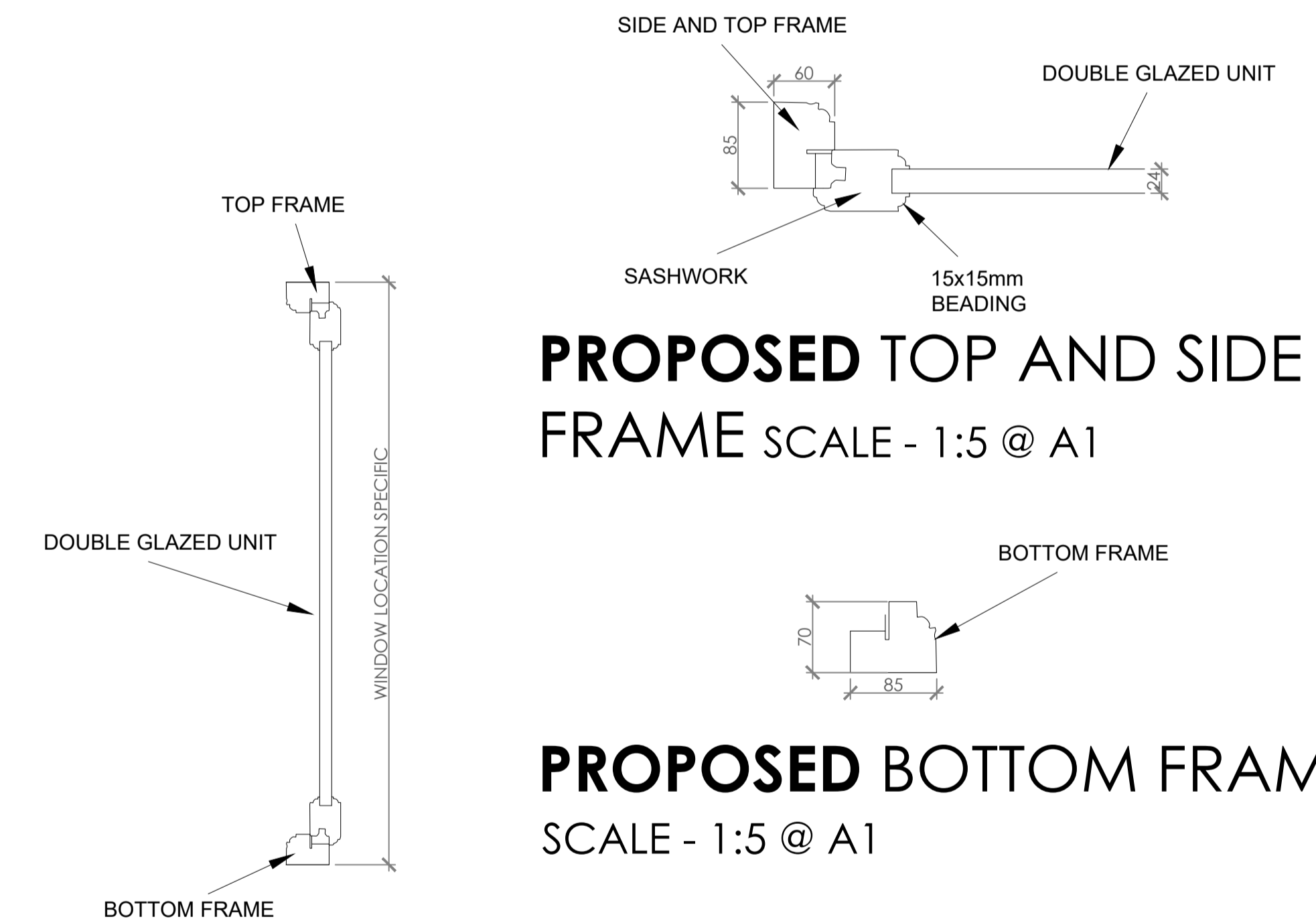


PLAN VIEW

ELEVATION

PROPOSED WINDOW 5

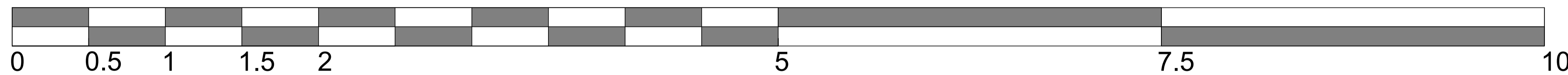
SCALE - 1:20 @ A1



PROPOSED TOP AND SIDE FRAME
SCALE - 1:5 @ A1

PROPOSED BOTTOM FRAME
SCALE - 1:5 @ A1

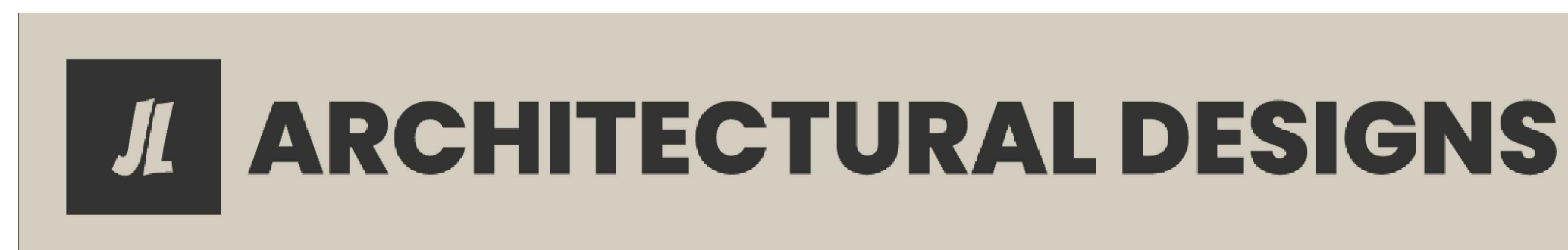
PROPOSED TYPICAL SECTION THROUGH WINDOWS
SCALE - 1:10 @ A1



Scale Bar (metres) 1:20

Address	
OXENHURST FARM	

drawing title		
PROPOSED WINDOW DETAILS		
drawn by	date	
JL	24/11/25	
scale	Drawing no.	revision
1:20 @ A1	2025/05	----



rev	date	description

LINE TYPE KEY	
	DENOTES ELEMENTS TO BE DEMOLISHED
	DENOTES ASSUMED DRAINAGE RUN
	DENOTES HIGH LEVEL ELEMENTS
	DENOTES NEW ELEMENTS