

Tree Survey Plan

BS5837 Tree retention categories:

- Category A
High quality
- Category B
Moderate quality
- Category C
Low quality
- Category U
Unsuitable for retention
- Root protection areas (RPAs)

Identification numbers:

- T = individual tree
- G = group of trees
- W = woodland
- H = hedge

Site:

Fairview
Back Lane
Wiswell
BB7 9BU

Clients:

Mr & Mrs Bond

Date: March 2023

Scale: 1:250 at A3

Drawing: LTC187-TSP

Drawn by: JK



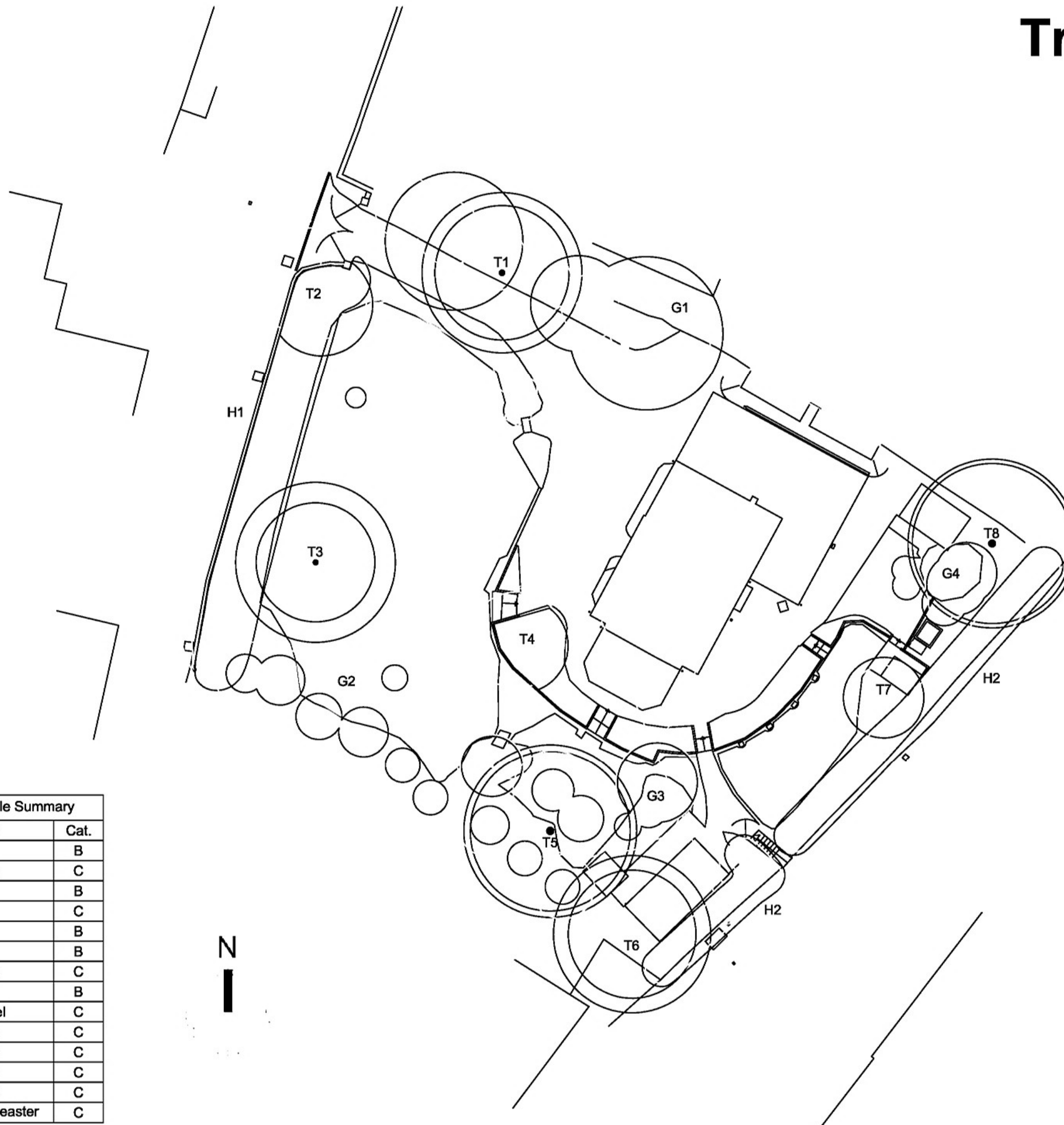
LAKELAND
TREE CONSULTANCY
ARBORICULTURAL PLANNING SPECIALIST

Halton Mill, Mill Lane, Halton, LA2 6ND

Info@lakelandtreeconsultancy.co.uk

01524 874124

lakelandtreeconsultancy.co.uk



Tree Survey Schedule Summary

ID	Species	Cat.
T1	Beech	B
T2	Damson	C
T3	Birch	B
T4	Cherry	C
T5	Gum	B
T6	Larch	B
T7	Cypress	C
T8	Maple	B
G1	3no. laurel	C
G2	Various	C
G3	Various	C
G4	Various	C
H1	Cypress	C
H2	Cypress, cotoneaster	C