

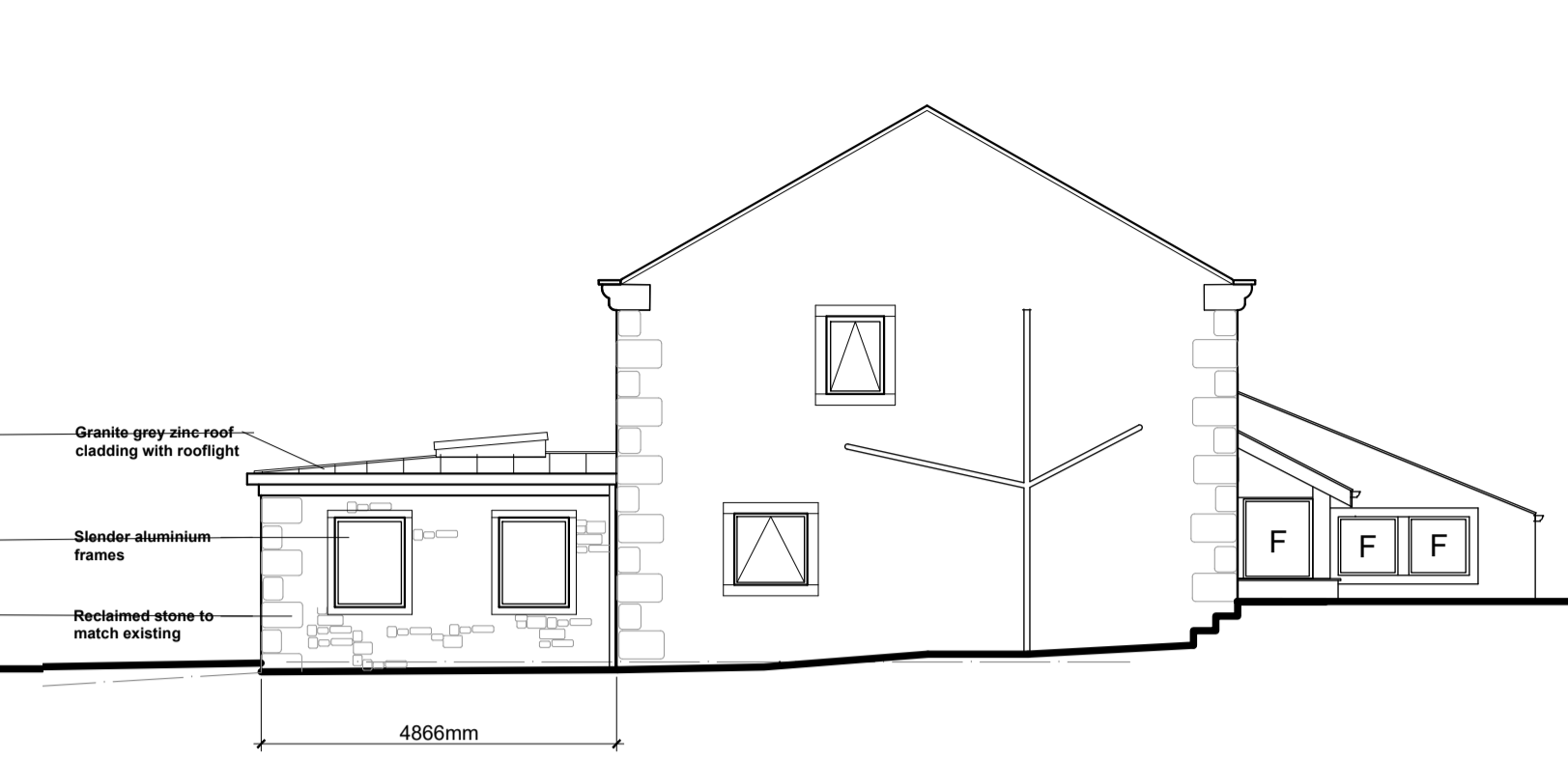
This drawing is to be read in conjunction with all relevant Architect, consultants' and specialist drawings and specifications. The Architect is to be notified of any discrepancies before proceeding. Do not scale from this drawing. All dimensions and levels are to be checked on site. This drawing is subject to copyright. All work carried out before Planning and Building Permission has been granted is at the contractor/client's risk.
 Note: proposed drawing based on OS map information. All illustrated dimensions are approximate and all site dimensions are to be checked on site and subject to site survey.



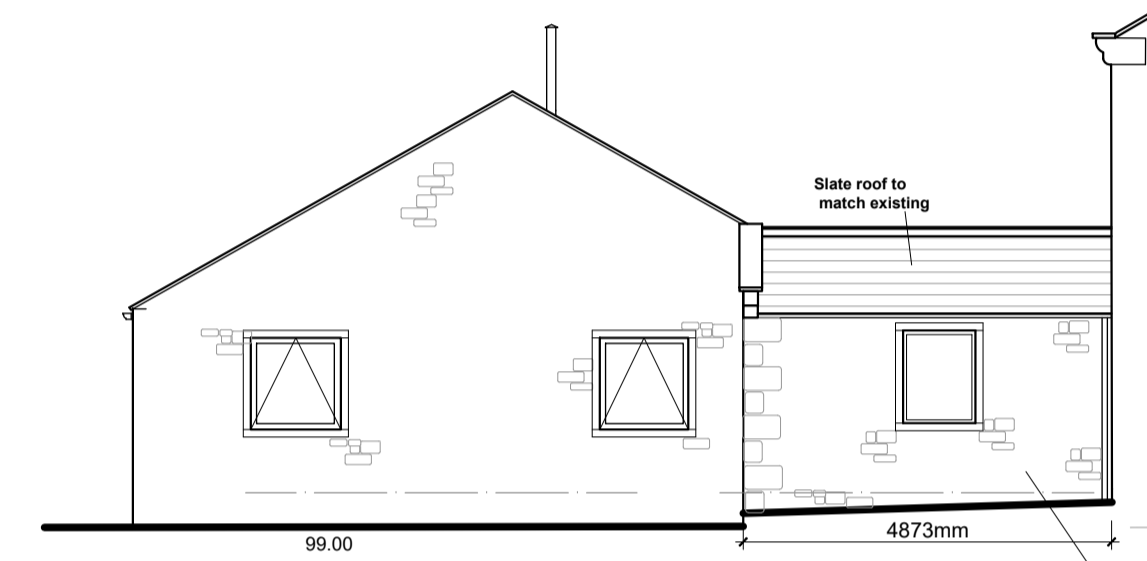
Front North West Elevation
1:100 Scale



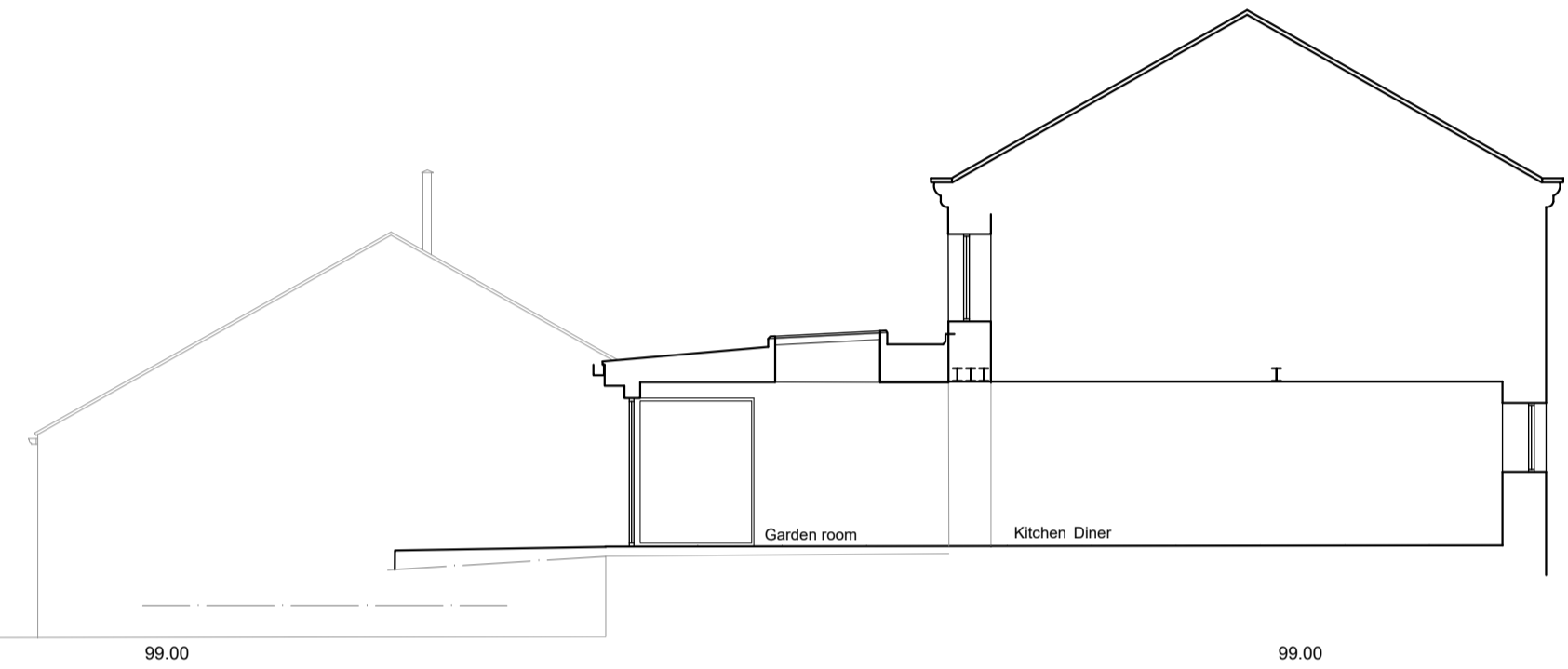
Rear South East Elevation
1:100 Scale



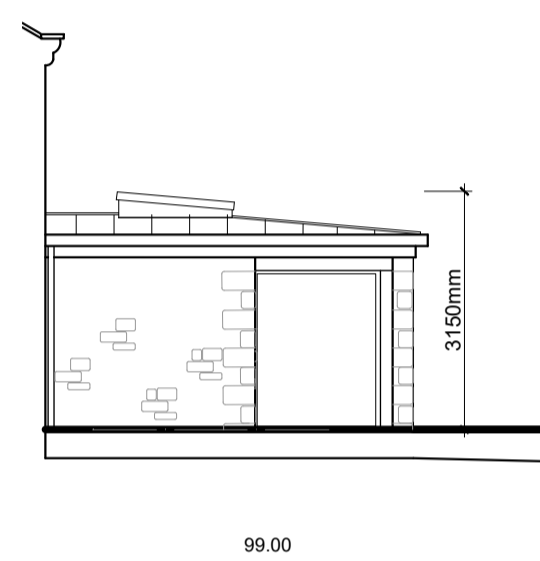
North East Elevation
1:100 Scale



North East Elevation of Link (Through A-A)
1:100 Scale



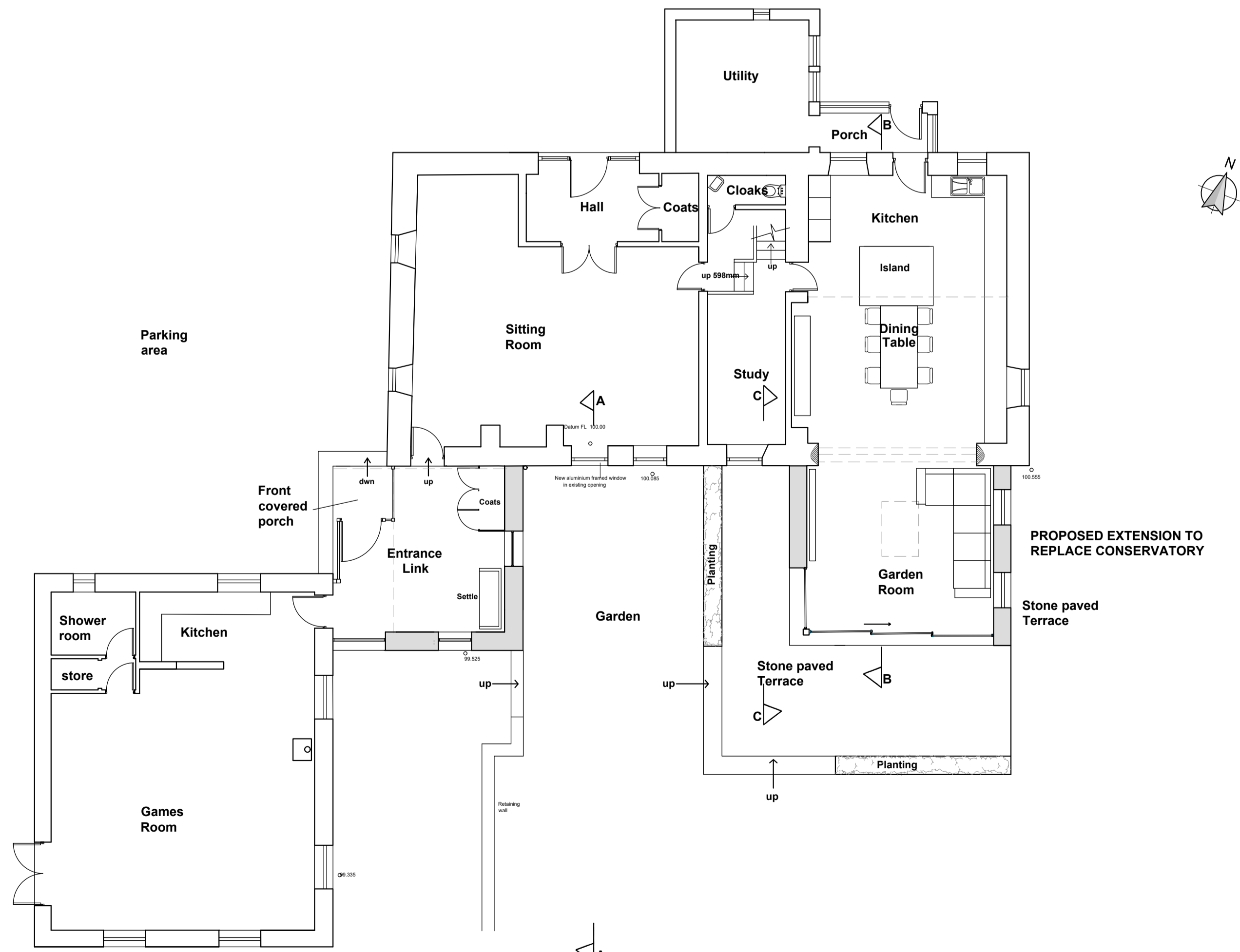
Section B-B of Conservatory and House
1:100 Scale



South West Elevation of Conservatory (Through C-C)
1:100 Scale

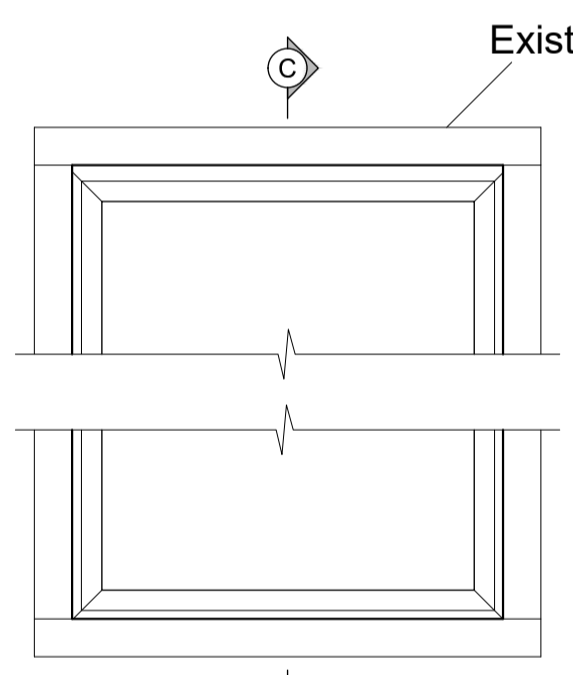


South West Elevation
1:100 Scale



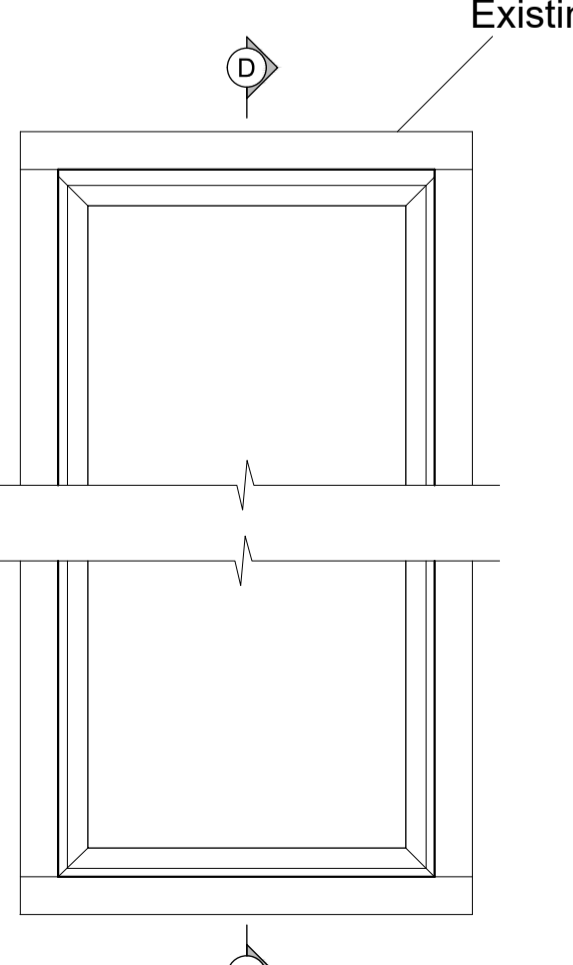
Ground Floor Plan
1:100 Scale

Replacement Window Details
Scale 1:20



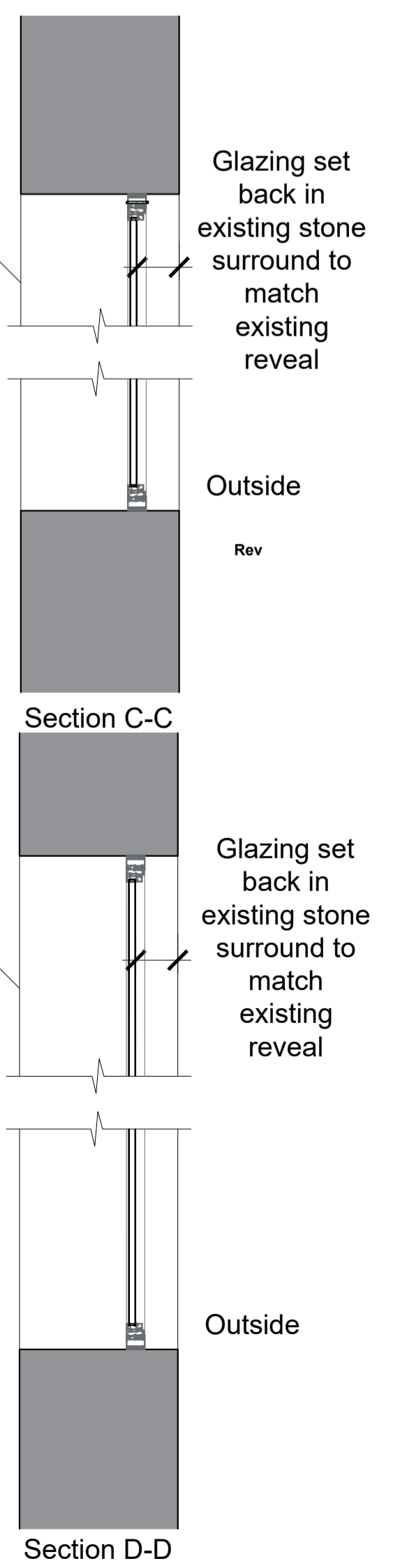
Typical Top Hung/ Side Hung Window

The aluminium framed units are powder coated Anthracite Grey, clear double glazed and outward opening.



Typical Fixed Casement Window

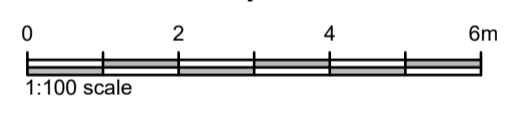
The aluminium framed units are powder coated Anthracite Grey and clear double glazed.



Key

F = Fixed
 ^ = Top Hung
 < = Side Hung

Note:
 All existing window and door frames are to be replaced with powder coated aluminium in Anthracite Grey.



Rev
 Rev A - Colour of replacement frames added. 30/04/26 LKR

Client
 Mr R Heap

Job Title
 Duck House Farm
 Brow Top
 Grindleton
 Clitheroe
 BB7 4QR

Drawing Title
 Replacement Window Details

PLANNING

Scale 1:100/20 @ A1 | Date April 2025 | Drawn LKR

spa
 SUNDERLAND PEACOCK ARCHITECTS

SUNDERLAND PEACOCK & ASSOCIATES LTD
 HAZELMERE, PIMLICO ROAD, CLITHEROE
 LANSHIRE, BB7 2AG
 T 01200 423178 F 01200 427328
 E info@sunderlandpeacock.com
 www.sunderlandpeacock.com

7225 -P03 B