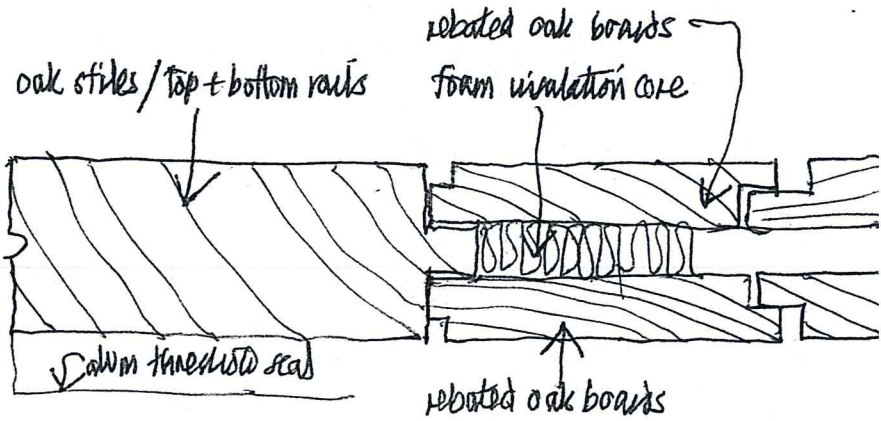


BOMBER BARN, GISEBURN: EXTERNAL DOORS  
 JW. FEBRUARY 2026 CONDITION ④  
 SCALE 1:2

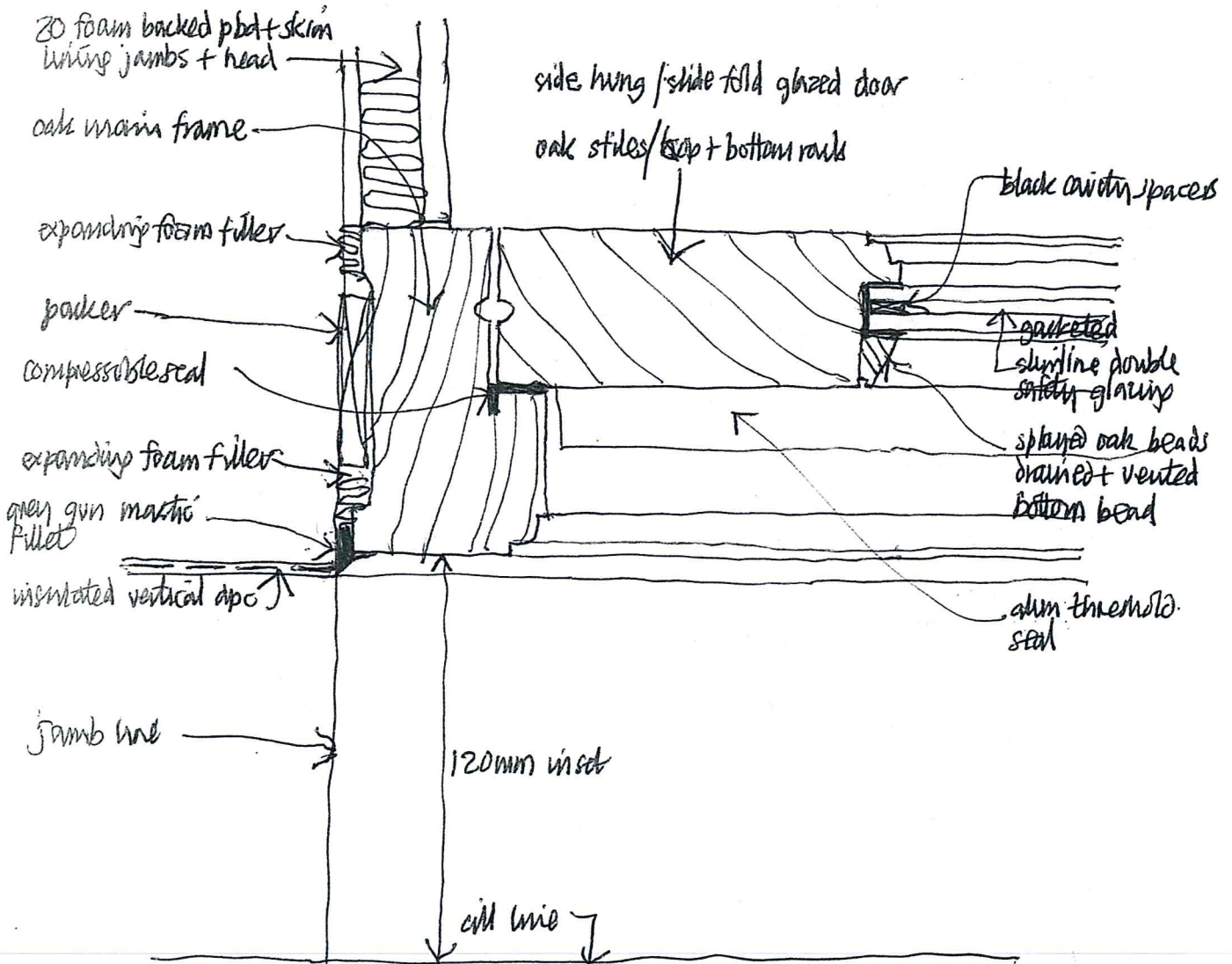
All oak components clear matt lacquer finish, inside + outside before fixing on site

same main frame as below →  
 PLAN solid doors

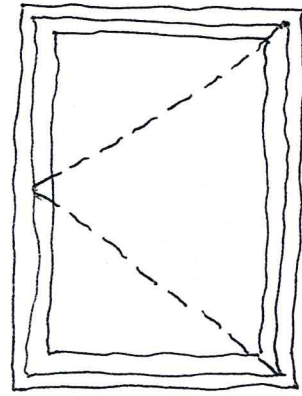


brushed stainless steel ironmongery  
 to meet Part 'Q' security requirements

PLAN glazed doorways



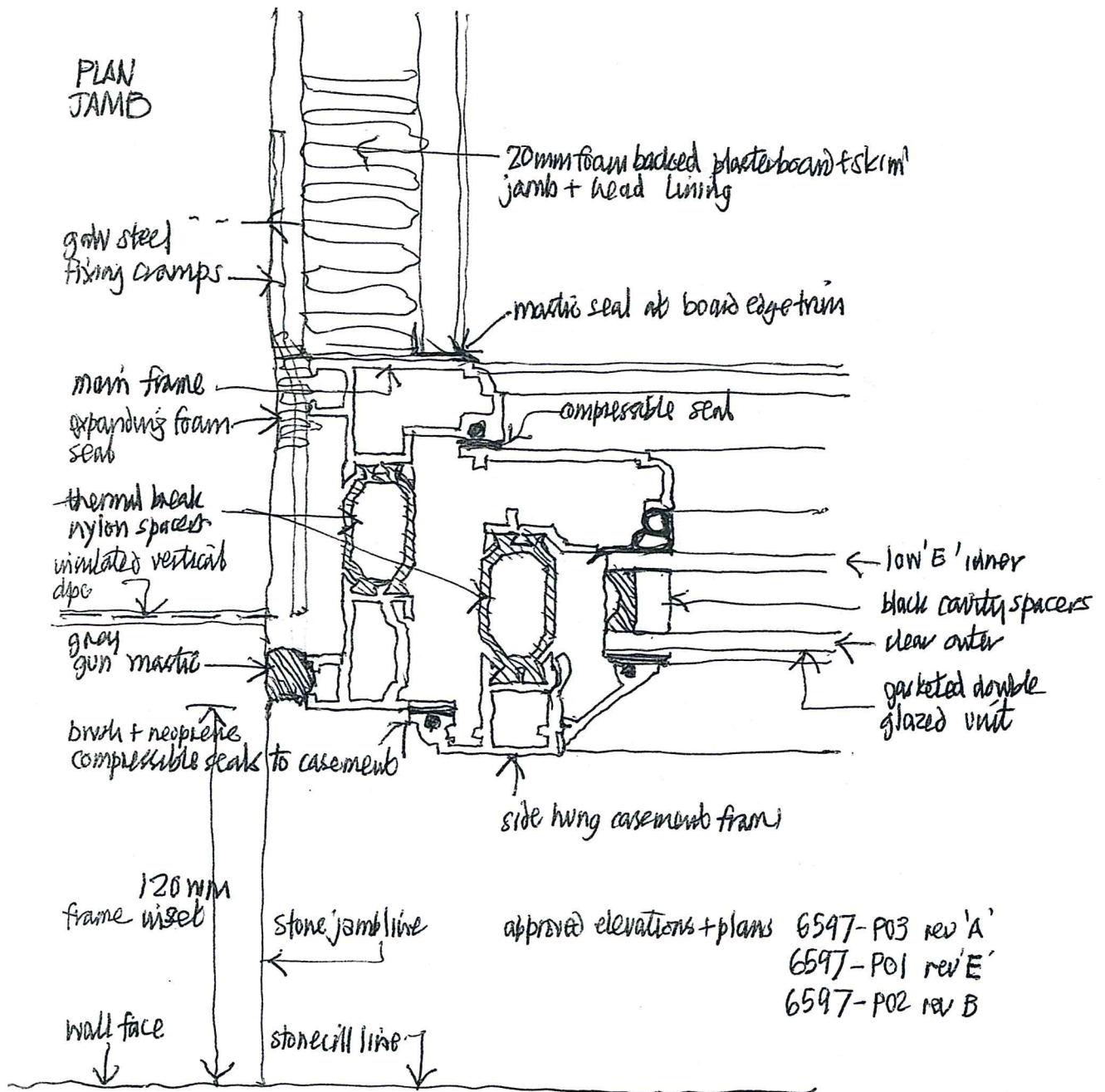
BOMBER BARN · GISBORN · WINDOWS · GENERAL  
 JW · FEBRUARY 2026 CONDITION ④  
 FULL SIZE FRAME SECTION  
 typical jamb, head + sill



typical elevation  
 1:20  
 site measure each  
 opening

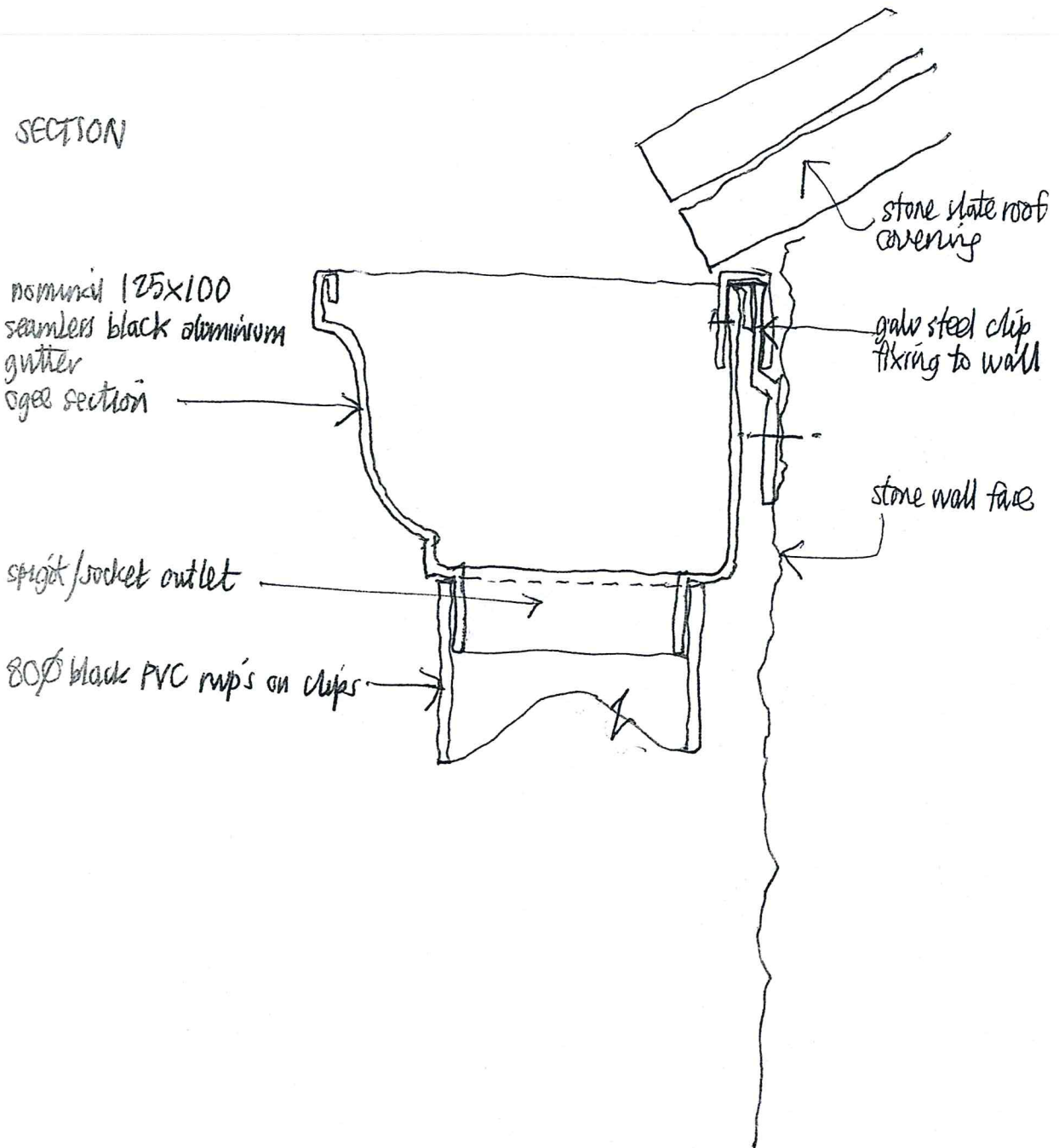
satini anodised silver aluminium fasteners to Part 'Q' security standard

extruded aluminium frame + side hung casement  
 powder coated light grey/green RAL 6021, matt finish



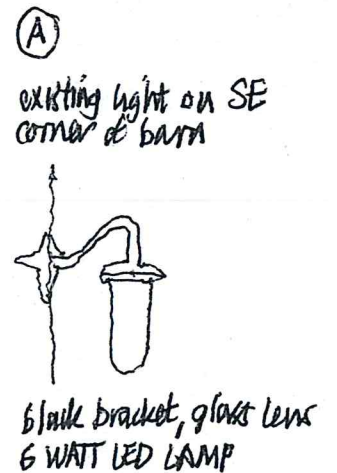
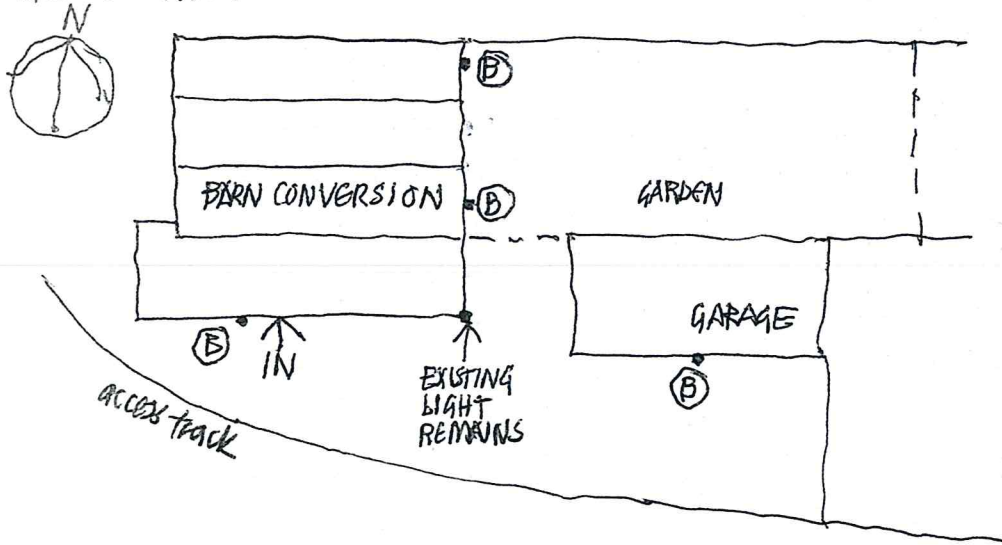
BOMBER BARN, GISBURN. RAINWATER GOODS  
JW, FEBRUARY 2026 CONDITION (4)

scale 1:2



BOMBER · BARN · GILBURN · EXTERIOR LIGHTING  
 JW · FEBRUARY 2026 CONDITION (10)

SITE PLAN 1:500



- (B) 4 no new bulkhead fittings  
 mounted 1500 mm above ground on building walls  
 VECTO downlighter, matt grey metal housing, opal glass lens  
 6 watt LED lamp, warm white  
 activated by external motion sensor, with timer auto-off and internal switch  
 having 150x150x100mm projection

