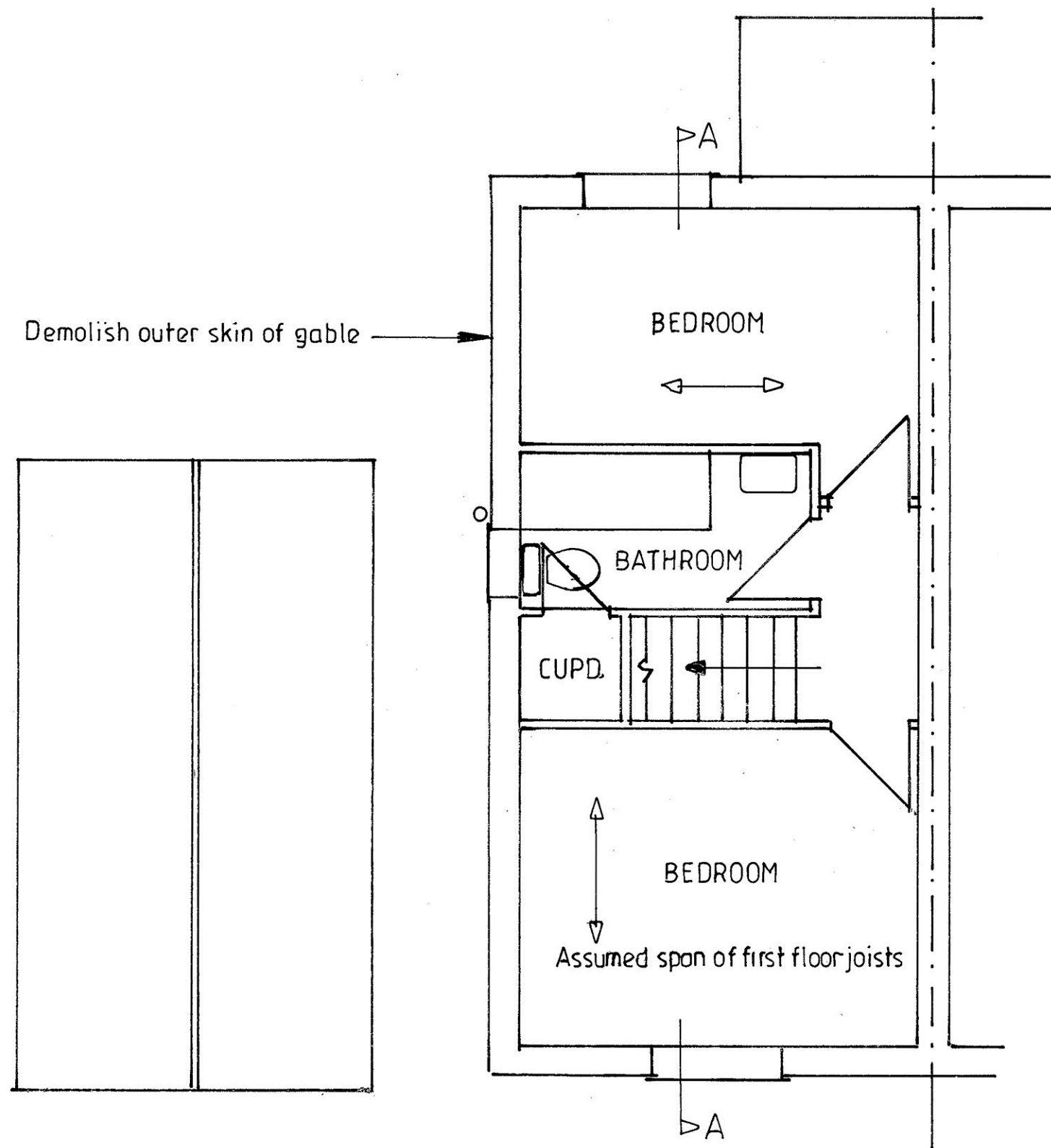
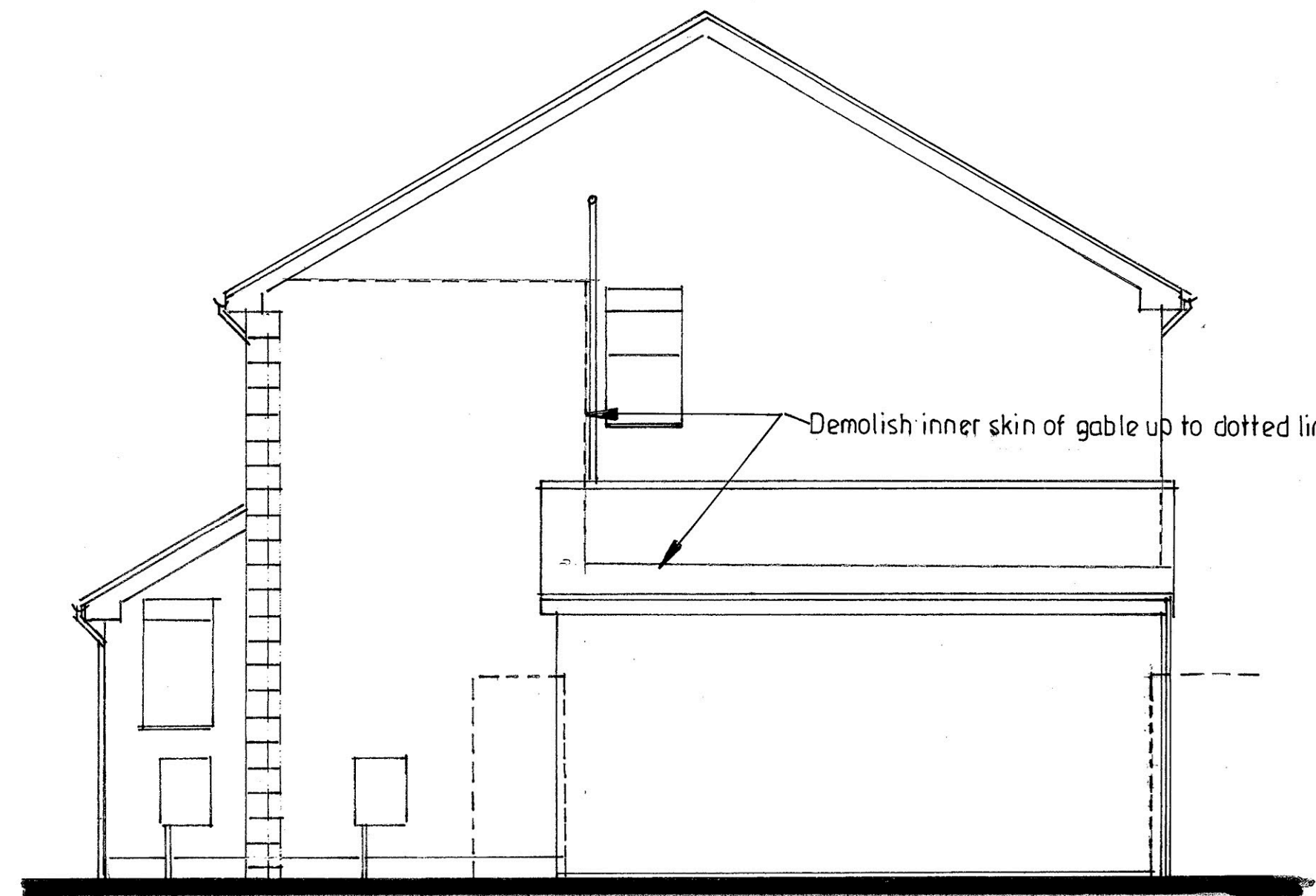


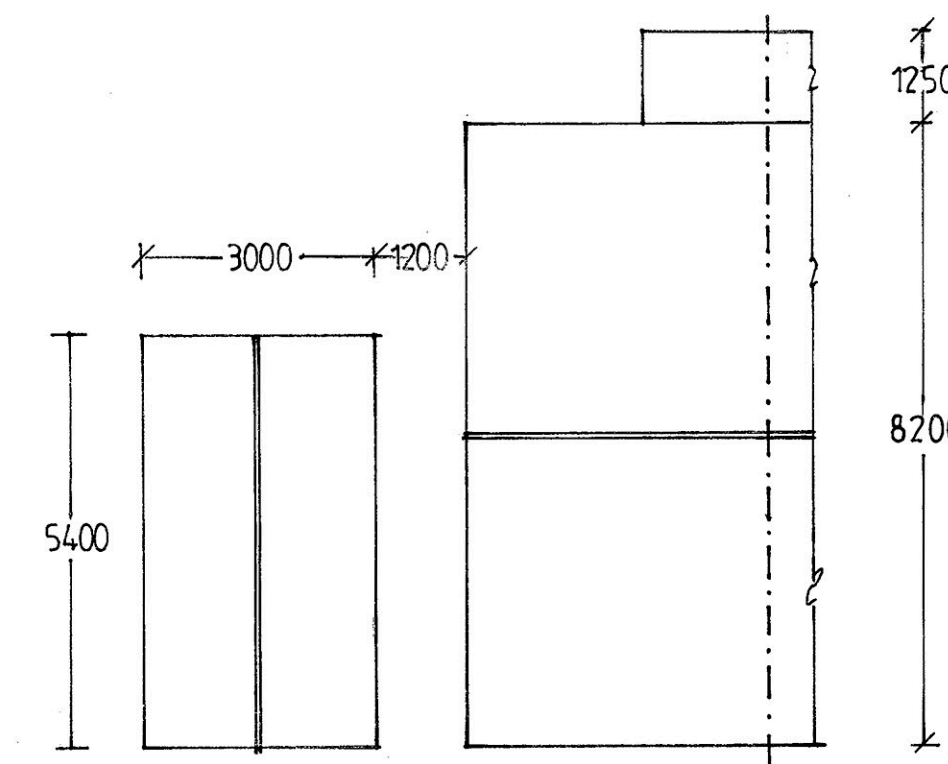
GROUND FLOOR PLAN



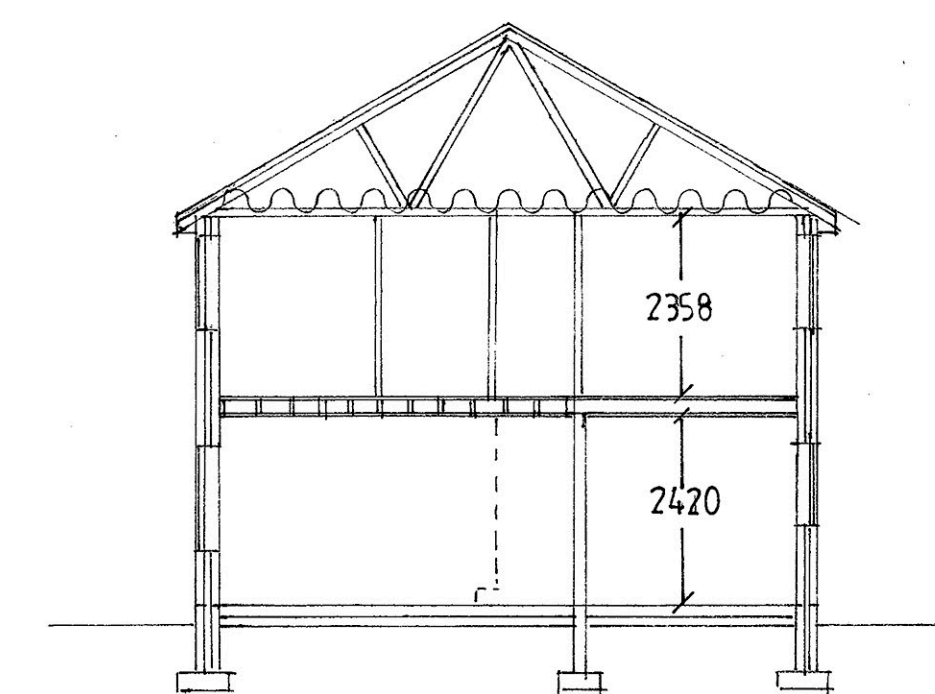
FIRST FLOOR PLAN



SIDE ELEVATION

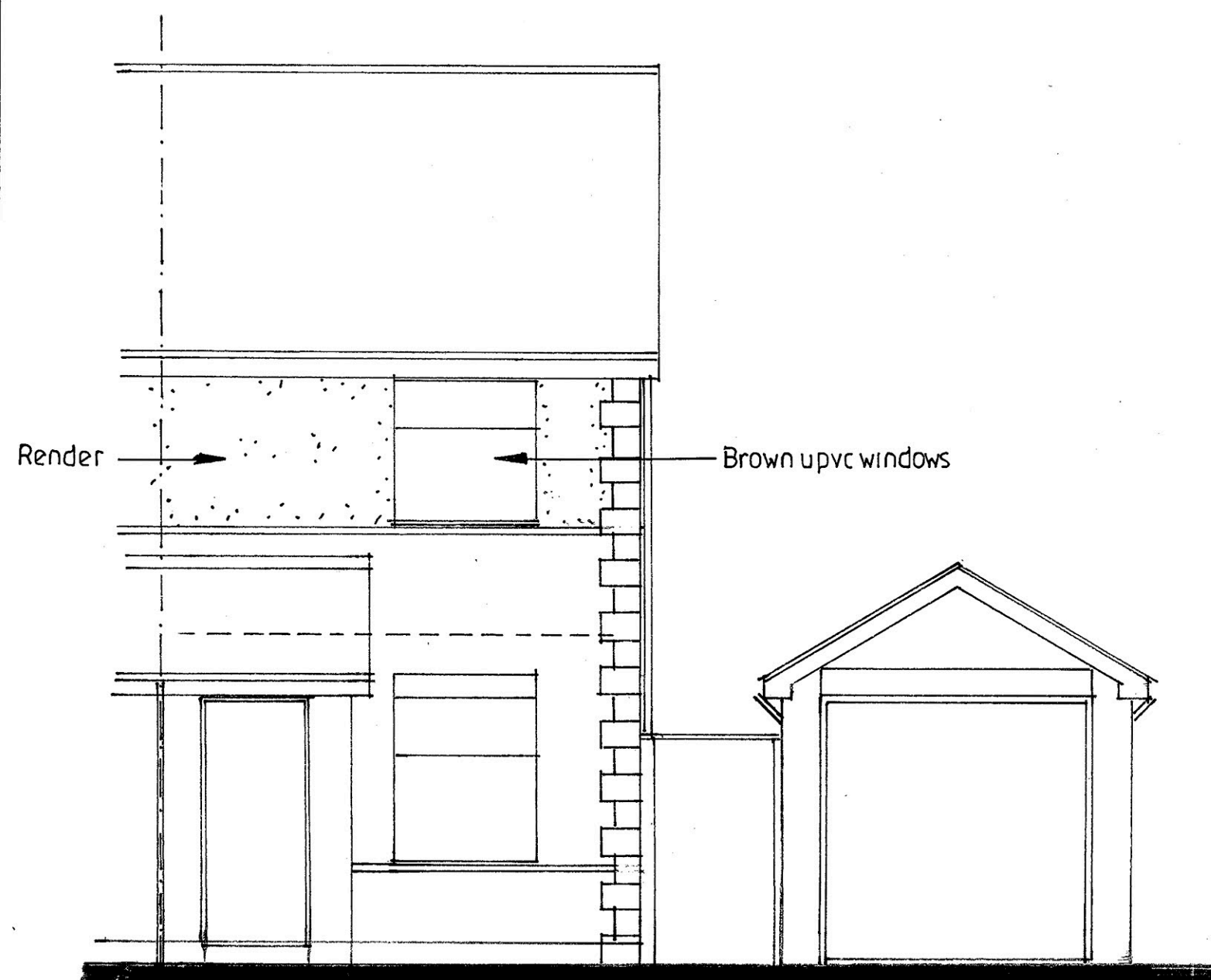


ROOF PLAN 1:100

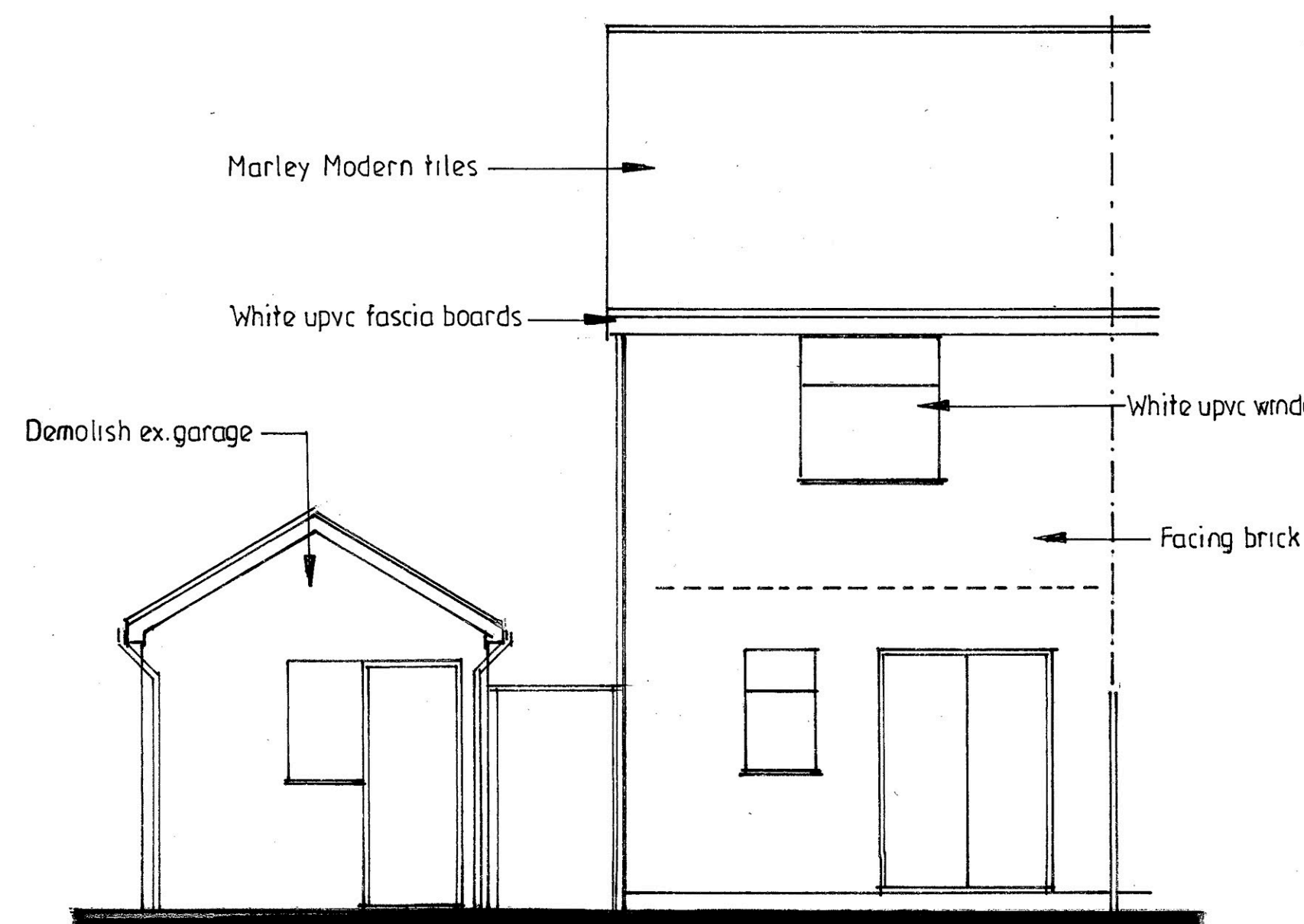


SECTION A-A

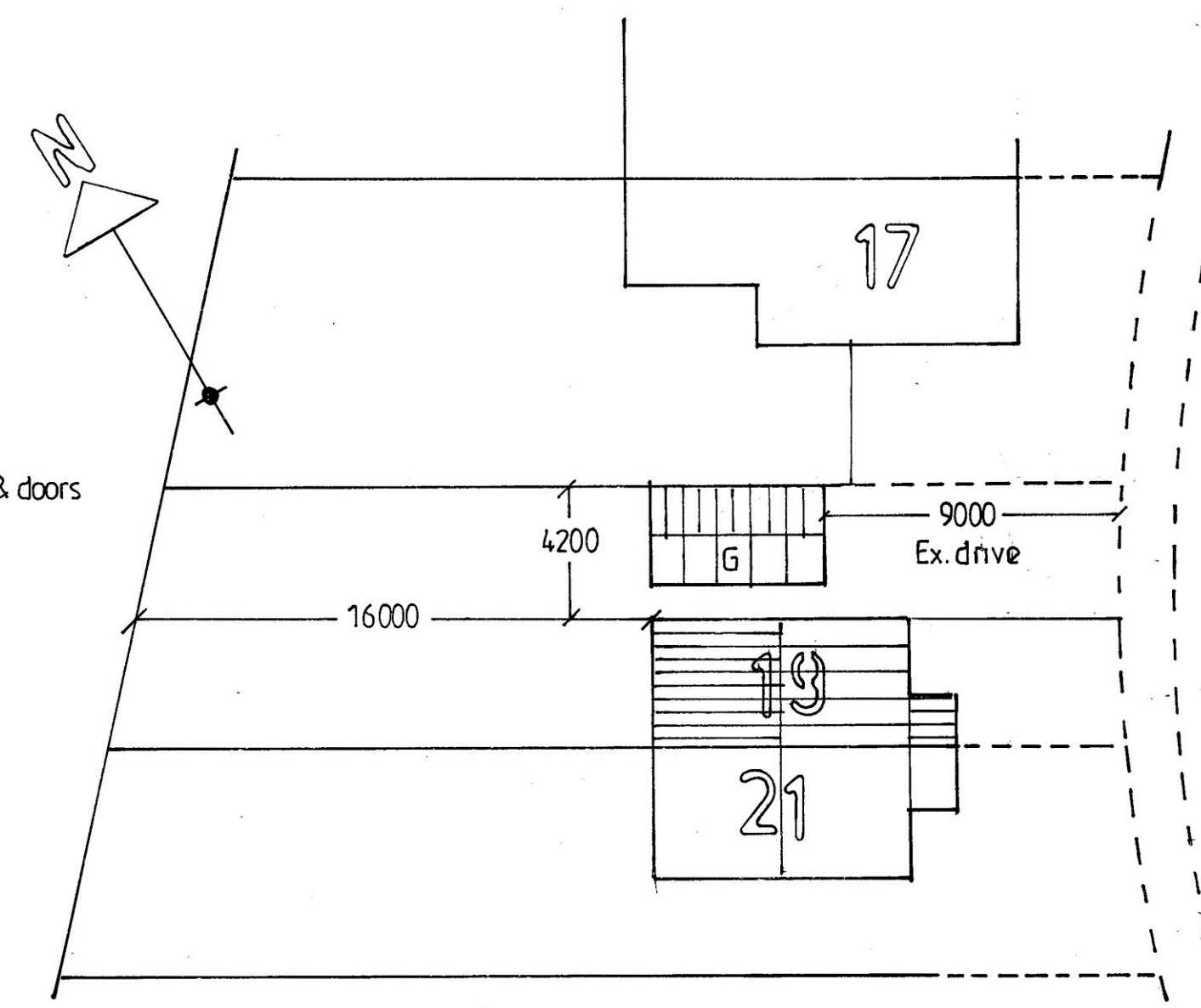
EXISTING FLOOR PLANS, ELEVATIONS, SECTION & ROOF PLAN 1:50



FRONT ELEVATION



REAR ELEVATION



SITE PLAN 1:200



| | |
|---|---|
| PROPOSED TWO - STOREY EXTENSION TO SIDE AND REAR | |
| FOR | SUSAN HOLKER |
| AT | 19 MEARLEY SYKE CLITHEROE BB7 1JG |
| ADRIAN HUGHES ARCHITECTURAL SERVICES | |
| SCALE 1:50 1:100 | DRAWING NO. |
| DATE MAR. 2026 | 1/44/2026 |