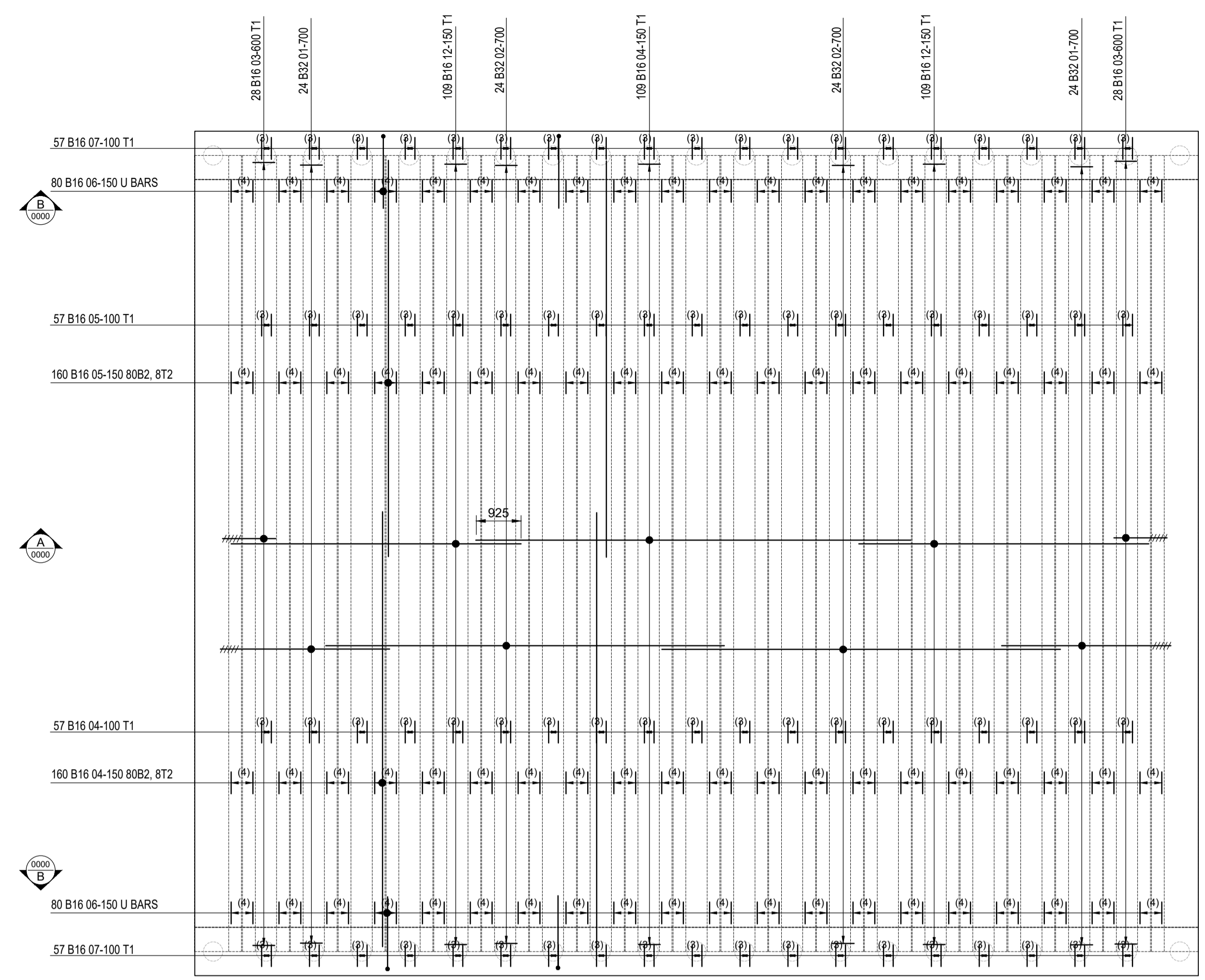


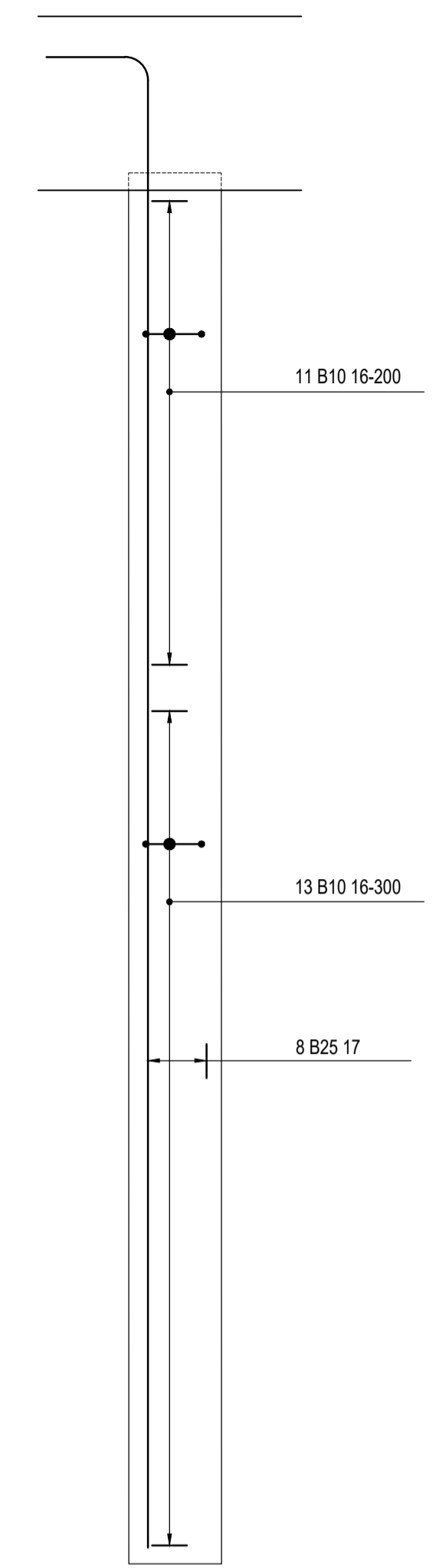
NOTES

- See drawing 001 for all general notes.
- To be read in conjunction with all drawings listed on drawing 001.

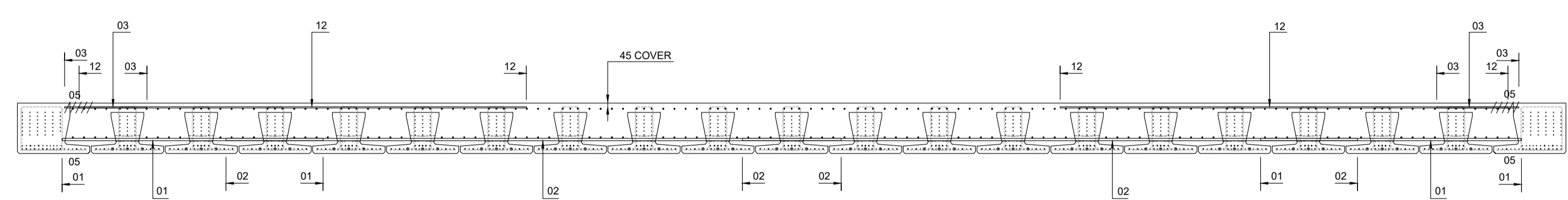
1. REINFORCEMENT NOTATION	
NUMBER OF BARS	8 B20 70 150 T2
HIGH TENSILE STEEL	
BAR DIAMETER	
BAR MARK	
BAR SPACING	
BAR POSITION	
2. REINFORCEMENT ABBREVIATIONS:	
B1	BOTTOM LAYER 1
B2	BOTTOM LAYER 2
T1	TOP LAYER 1
T2	TOP LAYER 2
NF1	NEAR FACE 1
NF2	NEAR FACE 2
FF1	FAR FACE 1
FF2	FAR FACE 2
SF	SIDE FACE
3. LAP LENGTHS	
B10	400
B12	480
B16	640
B20	800
B25	1000
B32	1280
B40	1600
4. CONCRETE COVER	
COVER TO REINFORCEMENT TO BE - 40mm UNO.	
5. REINFORCEMENT HAS BEEN SCHEDULED ON 7119-HBPW-SCH-ECV-0110	



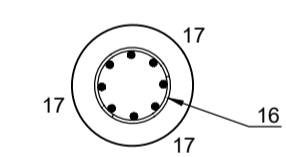
PLAN ON DECK
SCALE 1:75



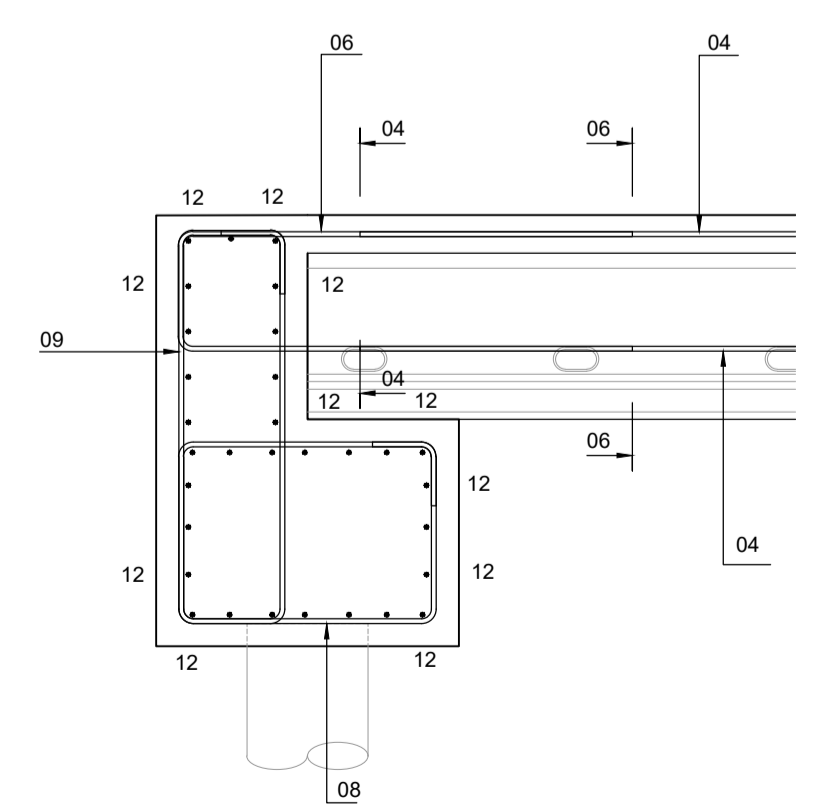
ELEVATION ON PILE - 42No. THUS
SCALE 1:25



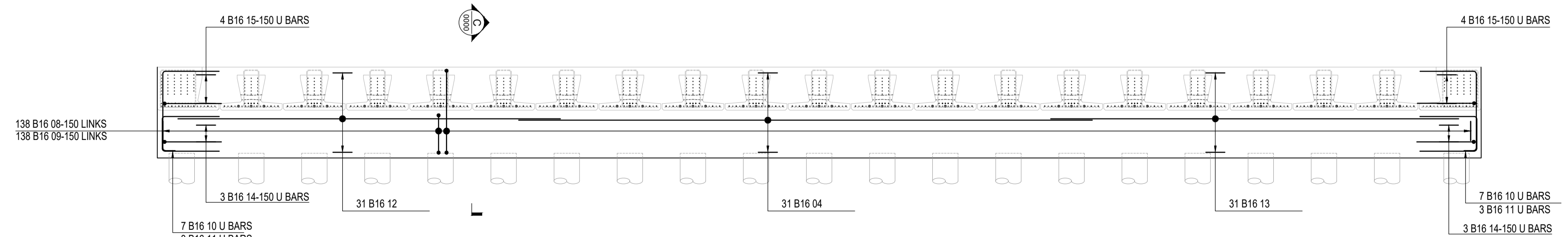
SECTION A-A
SCALE 1:50



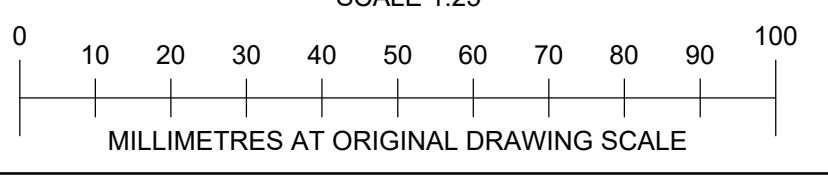
SECTION
SCALE 1:25



SECTION C-C
SCALE 1:25



ELEVATION B-B -2No. THUS
SCALE 1:50



APPROVAL

REV	DESCRIPTION	BY	CHK	APP	DATE
-----	-------------	----	-----	-----	------

REVISION TABLE

HBPW
CONSULTING ENGINEERS

43 BRIDGEGATE
RET FORD
NOTTINGHAMSHIRE
DN22 7UX
TEL (01777) 869896
www.hbpw.co.uk

CLIENT:	LOVELLS
CONTRACTOR:	LOVELLS
HBPW PROJECT NUMBER:	SL07119
PROJECT:	Whalley Aquaduct Crossing
DRAWING:	Deck & Pile R.C.Details
PROJECT ENGINEER:	J.Livesey
DRAWN:	K.Belshaw
CHECKED:	N.Chia
APPROVED:	J.Livesey
DATE:	29.03.2021
SCALE:	As Shown
SIZE:	A1
SUITABILITY:	-
REVISION:	B01
DOCUMENT REFERENCE NUMBER:	7119-HBPW-DRG-ECV-0111