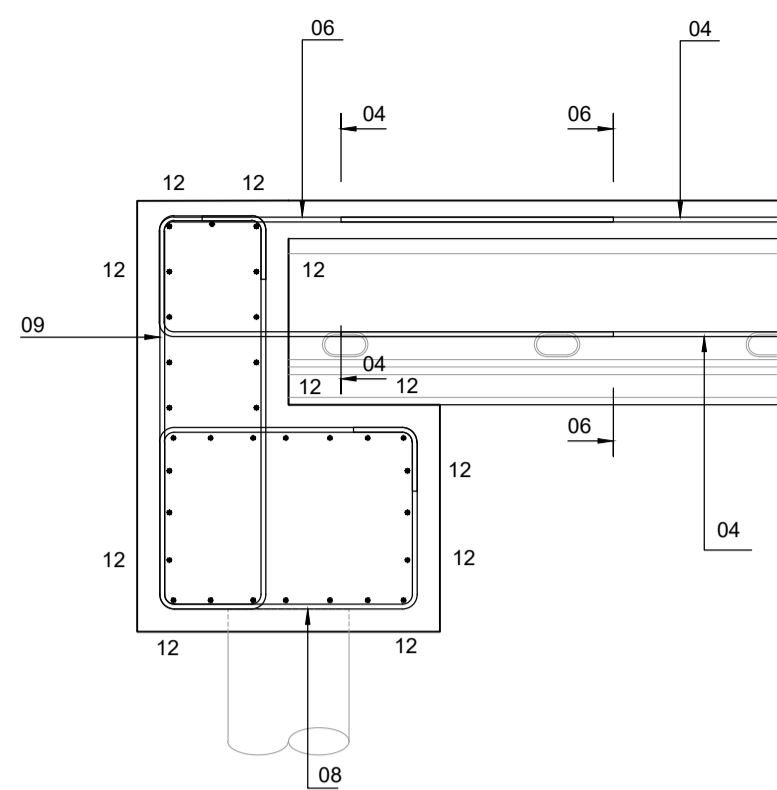
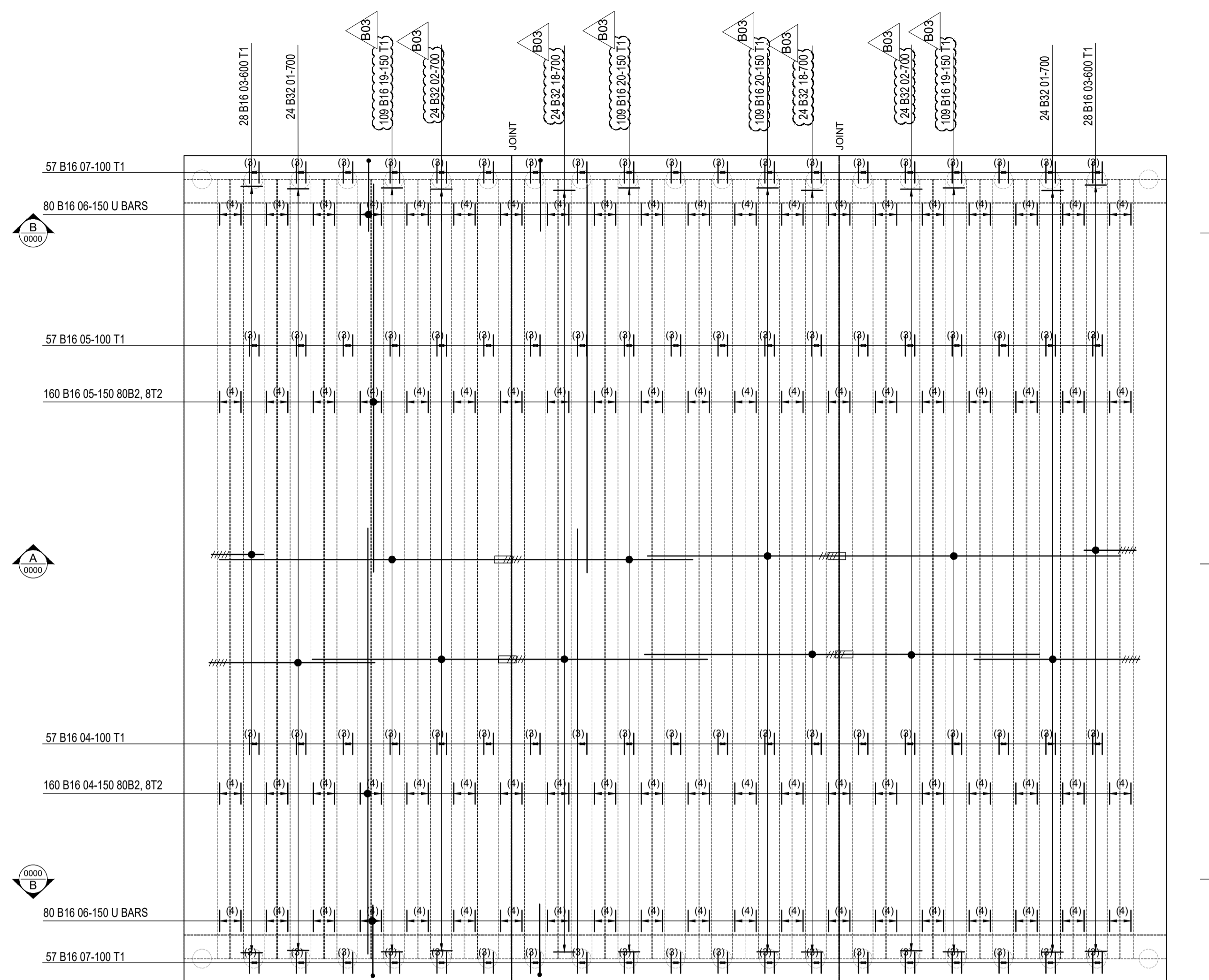


**NOTES**

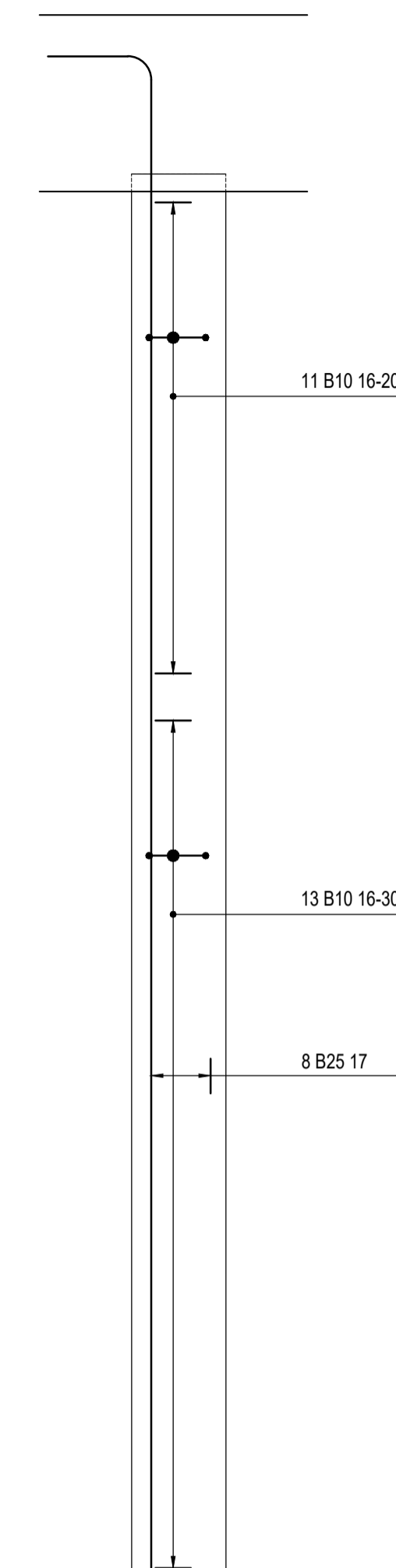
- See drawing 001 for all general notes.
  - To be read in conjunction with all drawings listed on drawing 001.
- 1. REINFORCEMENT NOTATION**
- NUMBER OF BARS: 8 B20 70 150 T2
- HIGH TENSILE STEEL
- BAR DIAMETER
- BAR MARK
- BAR SPACING
- BAR POSITION
- 2. REINFORCEMENT ABBREVIATIONS:**
- B1 BOTTOM LAYER 1  
 B2 BOTTOM LAYER 2  
 T1 TOP LAYER 1  
 T2 TOP LAYER 2  
 NF1 NEAR FACE 1  
 NF2 NEAR FACE 2  
 FF1 FAR FACE 1  
 FF2 FAR FACE 2  
 SF SIDE FACE
- 3. LAP LENGTHS**
- B10 400  
 B12 480  
 B16 640  
 B20 800  
 B25 1000  
 B32 1280  
 B40 1600
- 4. CONCRETE COVER**
- COVER TO REINFORCEMENT TO BE :-  
 40mm UNO.
- 5. REINFORCEMENT HAS BEEN SCHEDULED ON 7119-HBPW-SCH-ECV-0110**



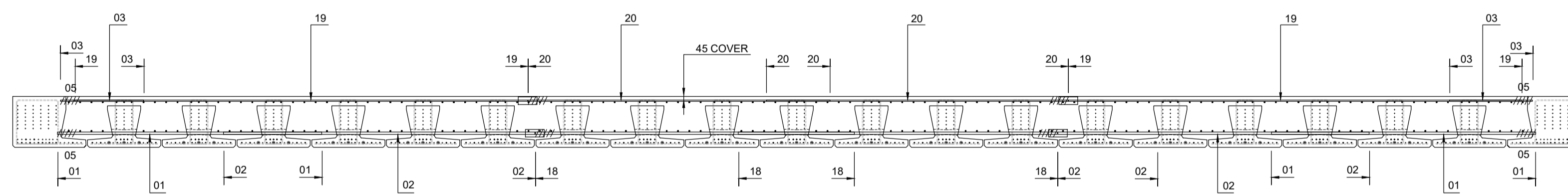
**SECTION C-C**  
SCALE 1:25



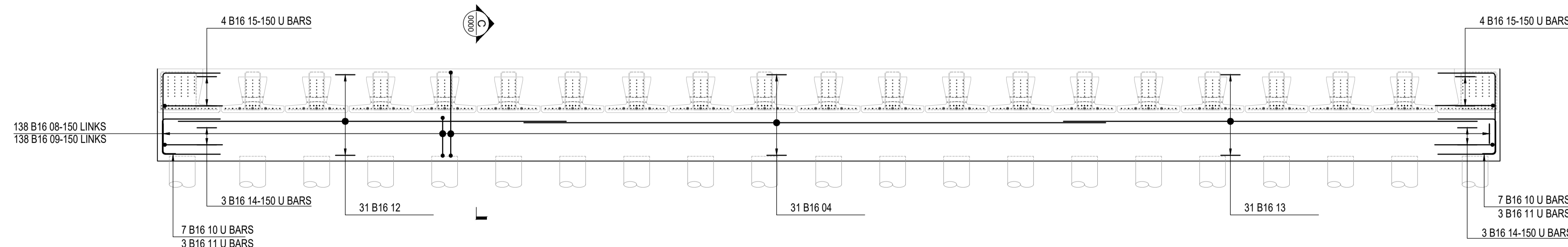
**PLAN ON DECK**  
SCALE 1:75



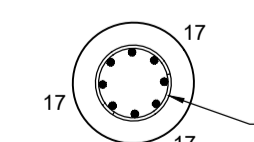
**ELEVATION ON PILE - 42No. THUS**  
SCALE 1:25



**SECTION A-A**  
SCALE 1:50



**ELEVATION B-B - 2No. THUS**  
SCALE 1:50



**SECTION**  
SCALE 1:25

**APPROVAL**

REV	DESCRIPTION	BY	CHK	APP	DATE
B03	JOINTS ADDED IN DECK REINF AMENDED TO SLIT	KB	JL	JL	09.03.22
B02	PILE REINFORCEMENT UPDATED	EN	JL	JL	04.08.21
B01	DETAILED DESIGN	WW	NC	JL	25.08.21

REVISION TABLE

**HBPW**  
CONSULTING ENGINEERS

43 BRIDGEGATE  
RETFORD  
NOTTINGHAMSHIRE  
DN22 7UX  
TEL (01777) 869896  
www.hbpw.co.uk

CLIENT:  
**LOVELLS**

CONTRACTOR:  
**LOVELLS**

HBPW PROJECT NUMBER:  
**SL07119**

PROJECT:  
**Whalley Aquaduct Crossing**

DRAWING:  
**Deck & Pile R.C.Details**

PROJECT ENGINEER:  
**J.Livesey**

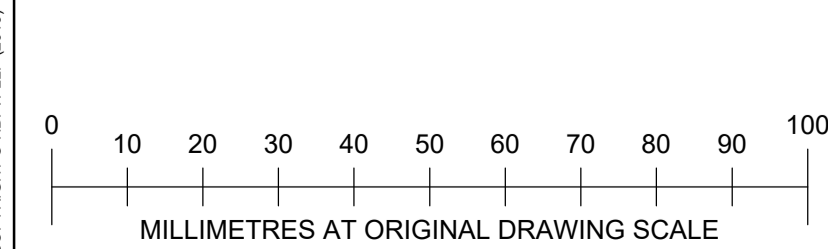
DRAWN:  
**E.Needham**

CHECKED:  
**J.Livesey**

APPROVED:  
**J.Livesey**

DATE: 04.08.2021  
SCALE: As Shown  
SIZE: A1  
SUITABILITY: -  
REVISION: B03

DOCUMENT REFERENCE NUMBER:  
**7119-HBPW-DRG-ECV-0111**



COPYRIGHT © HBPW LLP (2019)