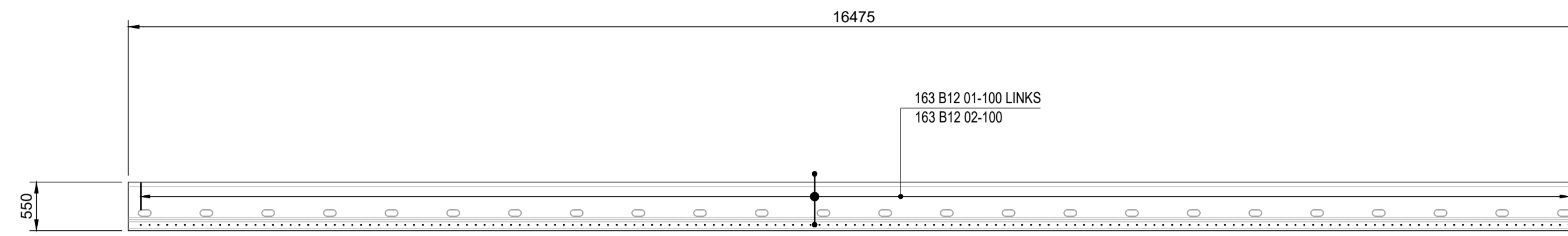


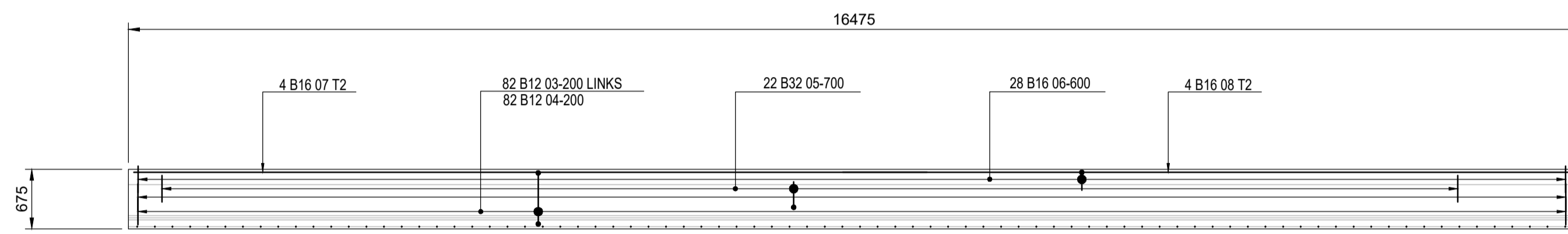
NOTES

- See drawing 001 for all general notes.
- To be read in conjunction with all drawings listed on drawing 001.

1. REINFORCEMENT NOTATION	
NUMBER OF BARS	8 B20 70 150 T2
HIGH TENSILE STEEL	
BAR DIAMETER	
BAR MARK	
BAR SPACING	
BAR POSITION	
2. REINFORCEMENT ABBREVIATIONS:	
B1	BOTTOM LAYER 1
B2	BOTTOM LAYER 2
T1	TOP LAYER 1
T2	TOP LAYER 2
NF1	NEAR FACE 1
NF2	NEAR FACE 2
FF1	FAR FACE 1
FF2	FAR FACE 2
SF	SIDE FACE
3. LAP LENGTHS	
B10	400
B12	480
B16	640
B20	800
B25	1000
B32	1280
B40	1600
4. CONCRETE COVER	
COVER TO REINFORCEMENT TO BE :- 40mm UNO.	
5. REINFORCEMENT HAS BEEN SCHEDULED ON 7119-HBPW-SCH-ECV-0110	

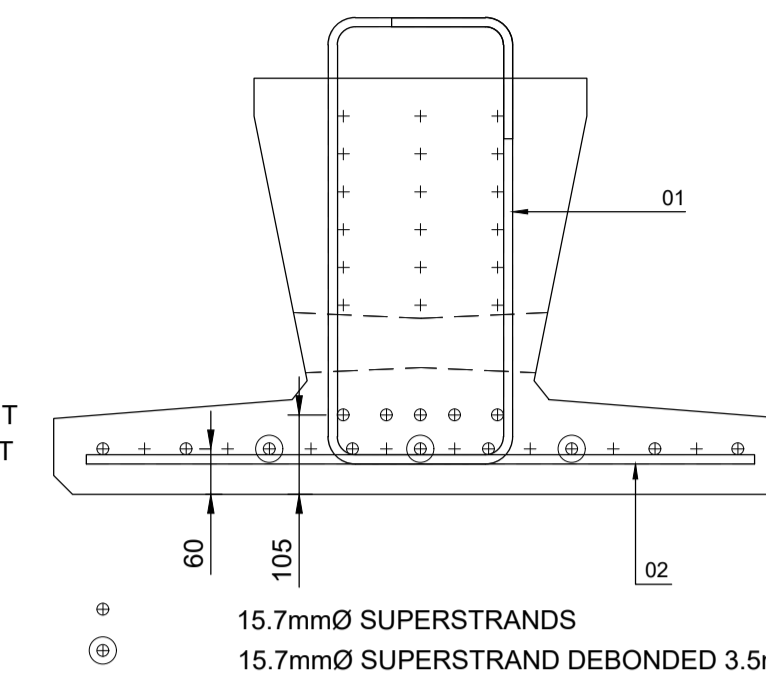


ELEVATION ON INNER PRE-STRESSED CONCRETE MODIFIED MY6 BEAMS
19No. THUS
 SCALE 1:50



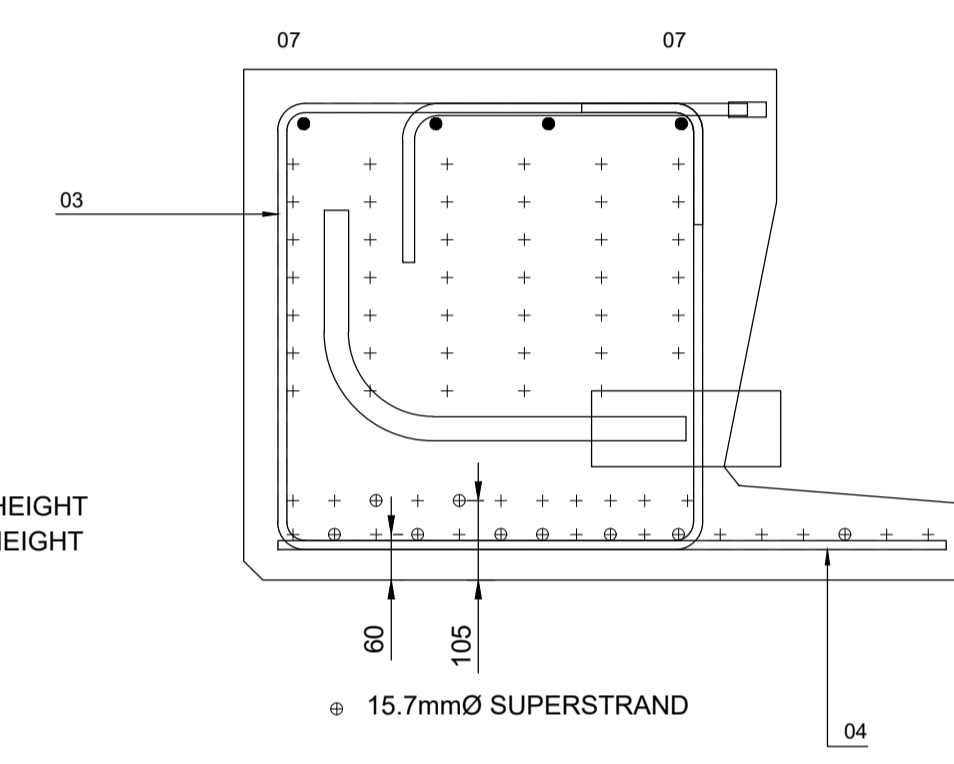
ELEVATION ON OUTER PRE-STRESSED CONCRETE MODIFIED MYE7 BEAMS
2No. THUS
 SCALE 1:50

5 x 15.7mmØ SUPERSTRANDS - 105mm HEIGHT
 9 x 15.7mmØ SUPER STRANDS - 60mm HEIGHT



15.7mmØ SUPERSTRANDS
 15.7mmØ SUPERSTRAND DEBONDED 3.5m FROM EACH END

2 x 15.7mmØ SUPERSTRANDS - 105mm HEIGHT
 7 x 15.7mmØ SUPER STRANDS - 60mm HEIGHT



APPROVAL

B01	DETAILED DESIGN	KB	NC	JL	25.06.21
REV	DESCRIPTION	BY	CHK	APP	DATE

REVISION TABLE

HBPW
 CONSULTING ENGINEERS

43 BRIDGEGATE
 RETFORD
 NOTTINGHAMSHIRE
 DN22 7UX
 TEL: (01777) 869896
 www.hbpw.co.uk

CLIENT:
LOVELLS

CONTRACTOR:
LOVELLS

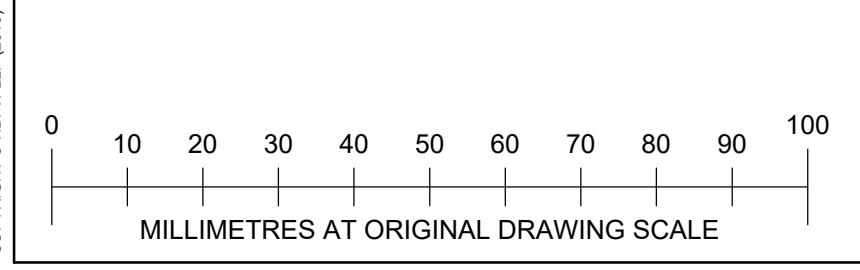
HBPW PROJECT NUMBER:
SL07119

PROJECT:
Whalley Aquaduct Crossing

DRAWING:
Pre-Stressed Beams Reinforcement Details

PROJECT ENGINEER: J.Livesey	DRAWN: W.Withers
CHECKED: N.Chia	APPROVED: J.Livesey
DATE: 21.06.2021	SCALE: As Shown
SIZE: A1	SUITABILITY: -
REVISION: B01	

DOCUMENT REFERENCE NUMBER:
7119-HBPW-DRG-ECV-0110



COPYRIGHT © HBPW LLP (2019)