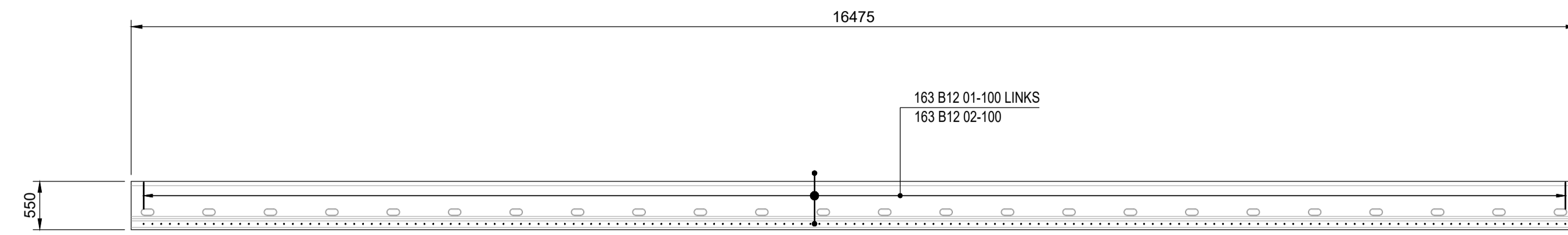


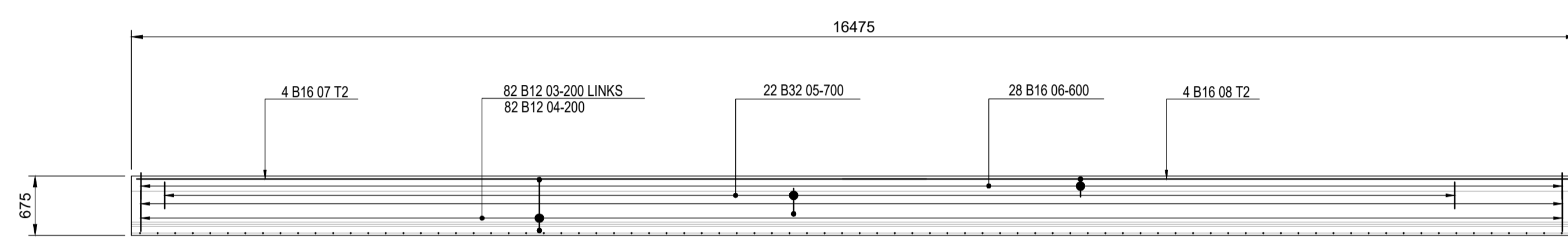
**NOTES**

- See drawing 001 for all general notes.
- To be read in conjunction with all drawings listed on drawing 001.

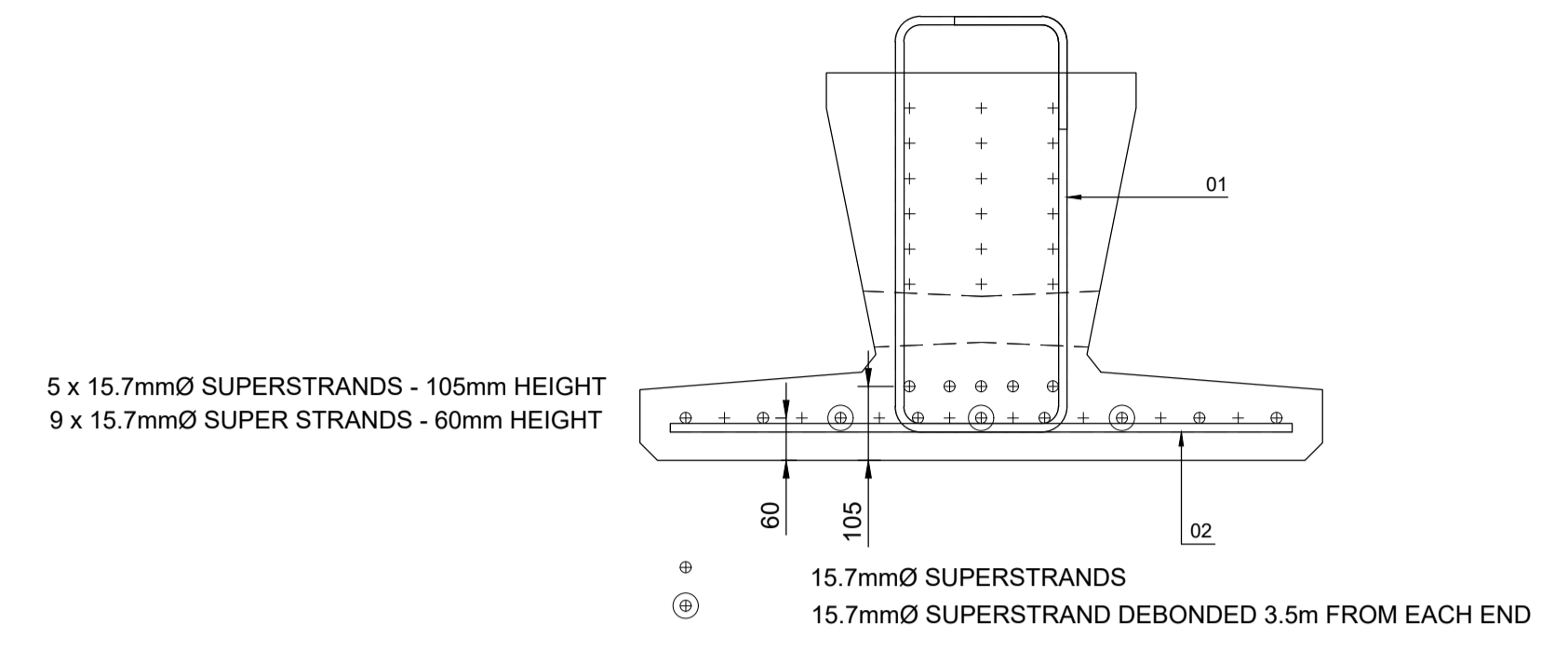
1. REINFORCEMENT NOTATION	
NUMBER OF BARS	8 B20 70 150 T2
HIGH TENSILE STEEL	
BAR DIAMETER	
BAR MARK	
BAR SPACING	
BAR POSITION	
2. REINFORCEMENT ABBREVIATIONS:	
B1	BOTTOM LAYER 1
B2	BOTTOM LAYER 2
T1	TOP LAYER 1
T2	TOP LAYER 2
NF1	NEAR FACE 1
NF2	NEAR FACE 2
FF1	FAR FACE 1
FF2	FAR FACE 2
SF	SIDE FACE
3. LAP LENGTHS	
B10	400
B12	480
B16	640
B20	800
B25	1000
B32	1280
B40	1600
4. CONCRETE COVER	
COVER TO REINFORCEMENT TO BE :- 40mm UNO.	
5. REINFORCEMENT HAS BEEN SCHEDULED ON 7119-HBPW-SCH-ECV-0110	



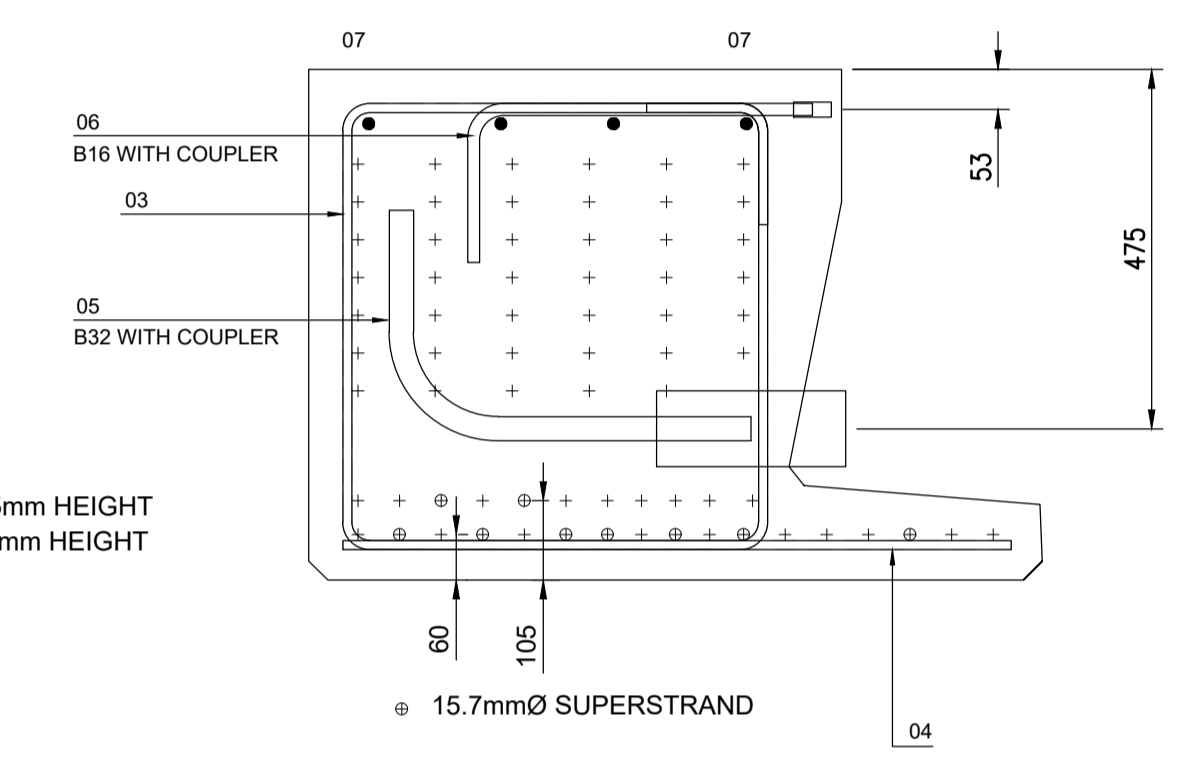
**ELEVATION ON INNER PRE-STRESSED CONCRETE MODIFIED MY6 BEAMS**  
19No. THUS  
SCALE 1:50



**ELEVATION ON OUTER PRE-STRESSED CONCRETE MODIFIED MYE7 BEAMS**  
2No. THUS  
SCALE 1:50



5 x 15.7mmØ SUPERSTRANDS - 105mm HEIGHT  
9 x 15.7mmØ SUPER STRANDS - 60mm HEIGHT



2 x 15.7mmØ SUPERSTRANDS - 105mm HEIGHT  
7 x 15.7mmØ SUPER STRANDS - 60mm HEIGHT

APPROVAL

B01	DETAILED DESIGN	KB	NC	JL	25.06.21
REV	DESCRIPTION	BY	CHK	APP	DATE

REVISION TABLE

**HBPW**  
CONSULTING ENGINEERS

43 BRIDGEGATE  
RETFORD  
NOTTINGHAMSHIRE  
DN22 7UX  
TEL: (01777) 869896  
www.hbpw.co.uk

CLIENT:  
**LOVELLS**

CONTRACTOR:  
**LOVELLS**

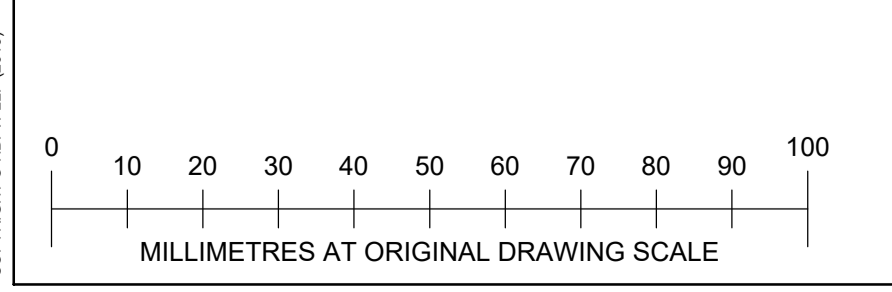
HBPW PROJECT NUMBER:  
**SL07119**

PROJECT:  
**Whalley Aquaduct Crossing**

DRAWING:  
**Pre-Stressed Beams Reinforcement Details**

PROJECT ENGINEER: J.Livesey	DRAWN: W.Withers
CHECKED: N.Chia	APPROVED: J.Livesey
DATE: 21.06.2021	SCALE: As Shown
SIZE: A1	SUITABILITY: -
REVISION: B01	

DOCUMENT REFERENCE NUMBER:  
**7119-HBPW-DRG-ECV-0110**



COPYRIGHT © HBPW LLP (2019)