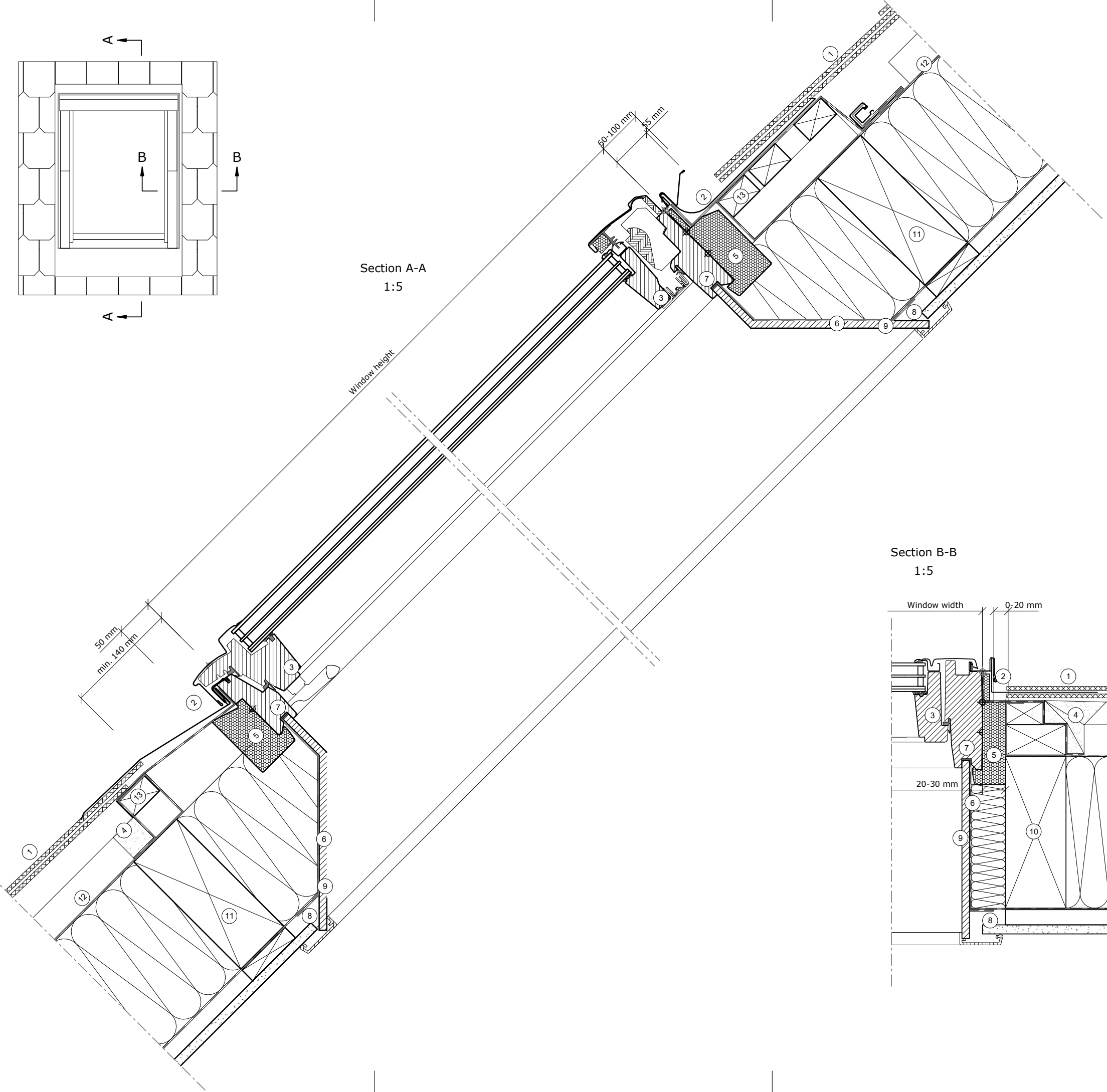
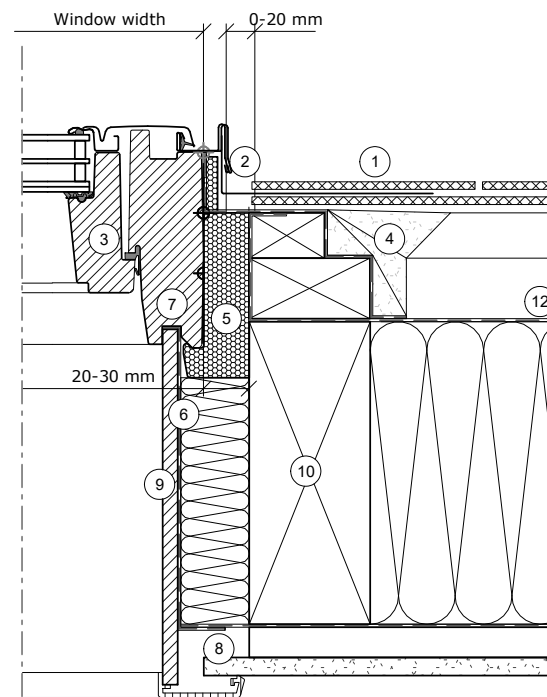


Section A-A
1:5



Section B-B
1:5



- ① Slates
- ② VELUX flashing (EDN 20°-90°)
- ③ VELUX window (GLU-B 15°-90°)
- ④ VELUX underfelt collar (BFX-F)
- ⑤ VELUX insulation frame (BDX-F)
- ⑥ VELUX vapour barrier collar (BBX)
- ⑦ Gasket on BBX in window rebate
- ⑧ VELUX vapour barrier tape (BBX)
- ⑨ VELUX lining (LS-)
- ⑩ Existing rafter
- ⑪ Trimmer where necessary (Non-VELUX)
- ⑫ Underfelt/Breather membrane (Non-VELUX)
- ⑬ Installation batten (Non-VELUX)

Size	Width	Size	Height
CK--	550	-K04	978
FK--	660	-K06	1178
MK--	780	-K08	1398
PK--	942	-K10	1600

© VELUX GROUP

® VELUX, VELUX logo are registered trademarks

VELUX®

File name:
Single_GLU_B_3_SlatesE-N_LS_EN1

Drawing no.: 3625EN3 SCo ---

Create date 2025-01-09	Rev. date -	Format A3	Scale 1:5
---------------------------	----------------	--------------	--------------

Note: When installing VELUX Roof Windows, flashings and installation products, the manufacturers instructions and current building and fire regulations, where applicable, must be met.