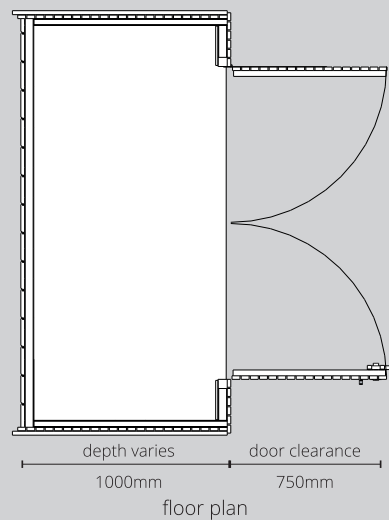
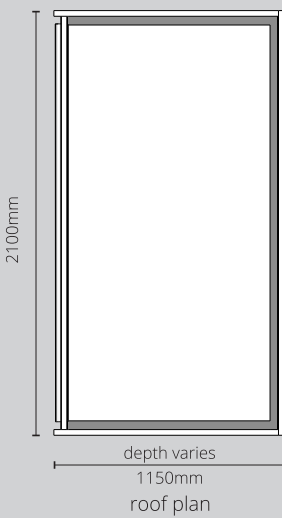
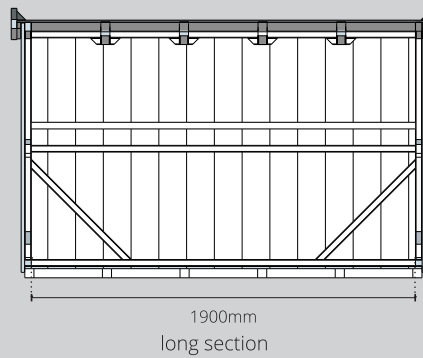
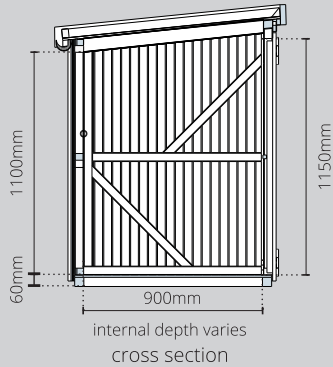
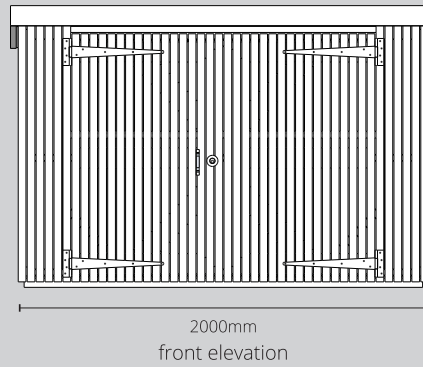
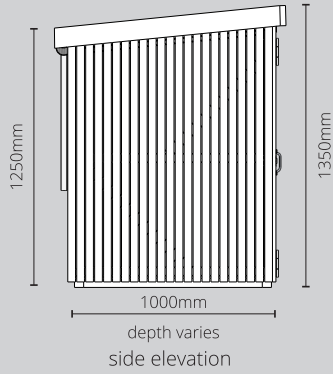


Classic Bike Shed

Key Dimensions - Classic 3 Bike Shed model shown



Included in all classic bike shed models:

- Adjustable Rubber Feet
- Secure Bar
- Heavy Duty Galvanised Hinges
- Heavy Duty Galvanised Drop Bolts
- Long Throw Lock with 5 keys
- Gutter with Outlet and Downpipe
- EPDM roof liner on green roof models
- Flexible Poly Roofing Felt on felt roof models
- Security fixings on Hinges

Dimensions of shed depth vary with size of Shed. See dimension table below.

classic bike shed size	base		internal		roof		door clearance
	depth	width	depth	width	depth	width	
1 bike	800mm	2000mm	700mm	1900mm	950mm	2100mm	750mm
2 bikes	900mm	2000mm	800mm	1900mm	1050mm	2100mm	750mm
3 bikes	1000mm	2000mm	900mm	1900mm	1150mm	2100mm	750mm
4 bikes	1150mm	2000mm	1050mm	1900mm	1300mm	2100mm	750mm
5 bikes	1250mm	2000mm	1150mm	1900mm	1400mm	2100mm	750mm
6 bikes	1350mm	2000mm	1250mm	1900mm	1500mm	2100mm	750mm