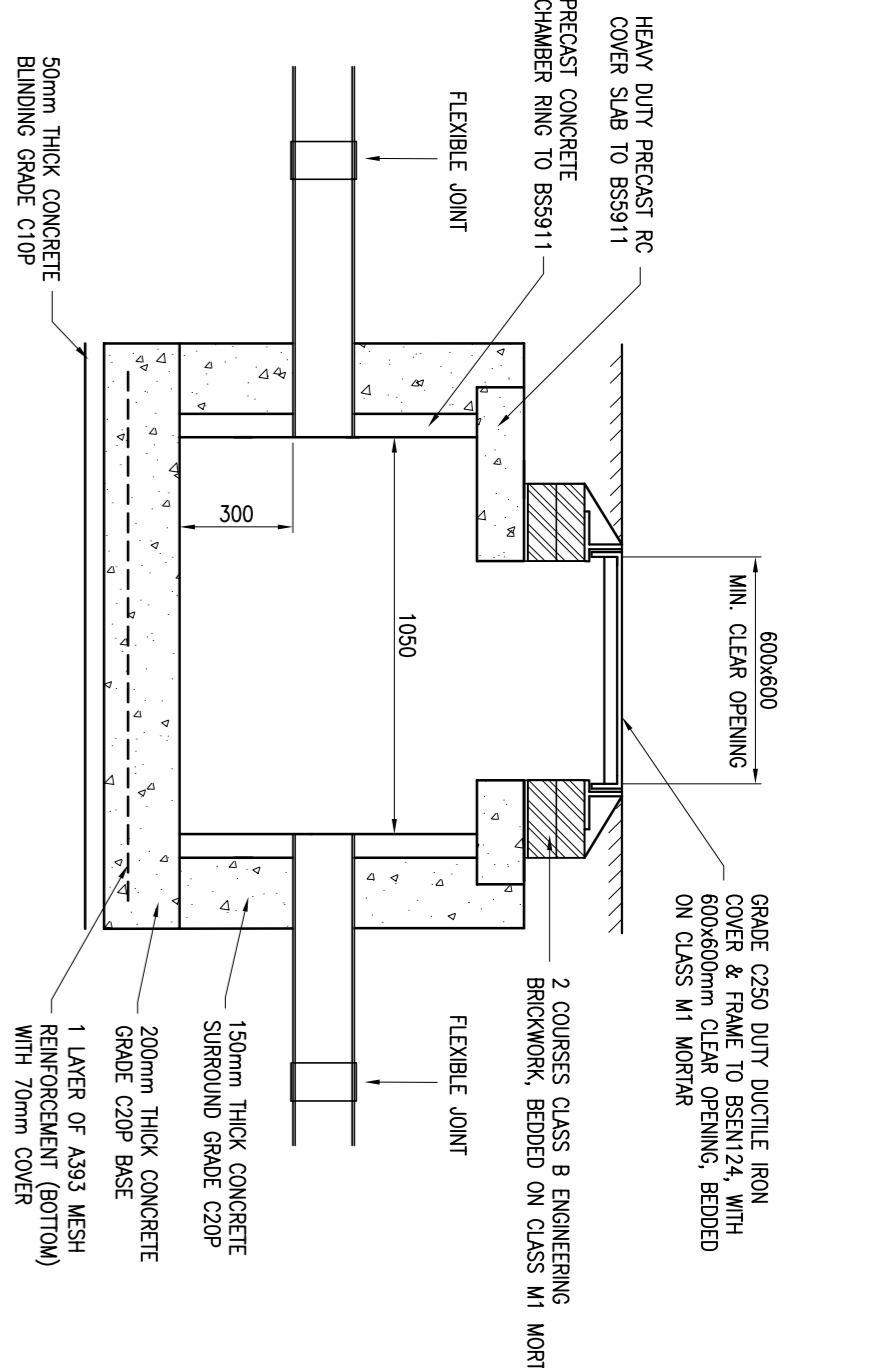
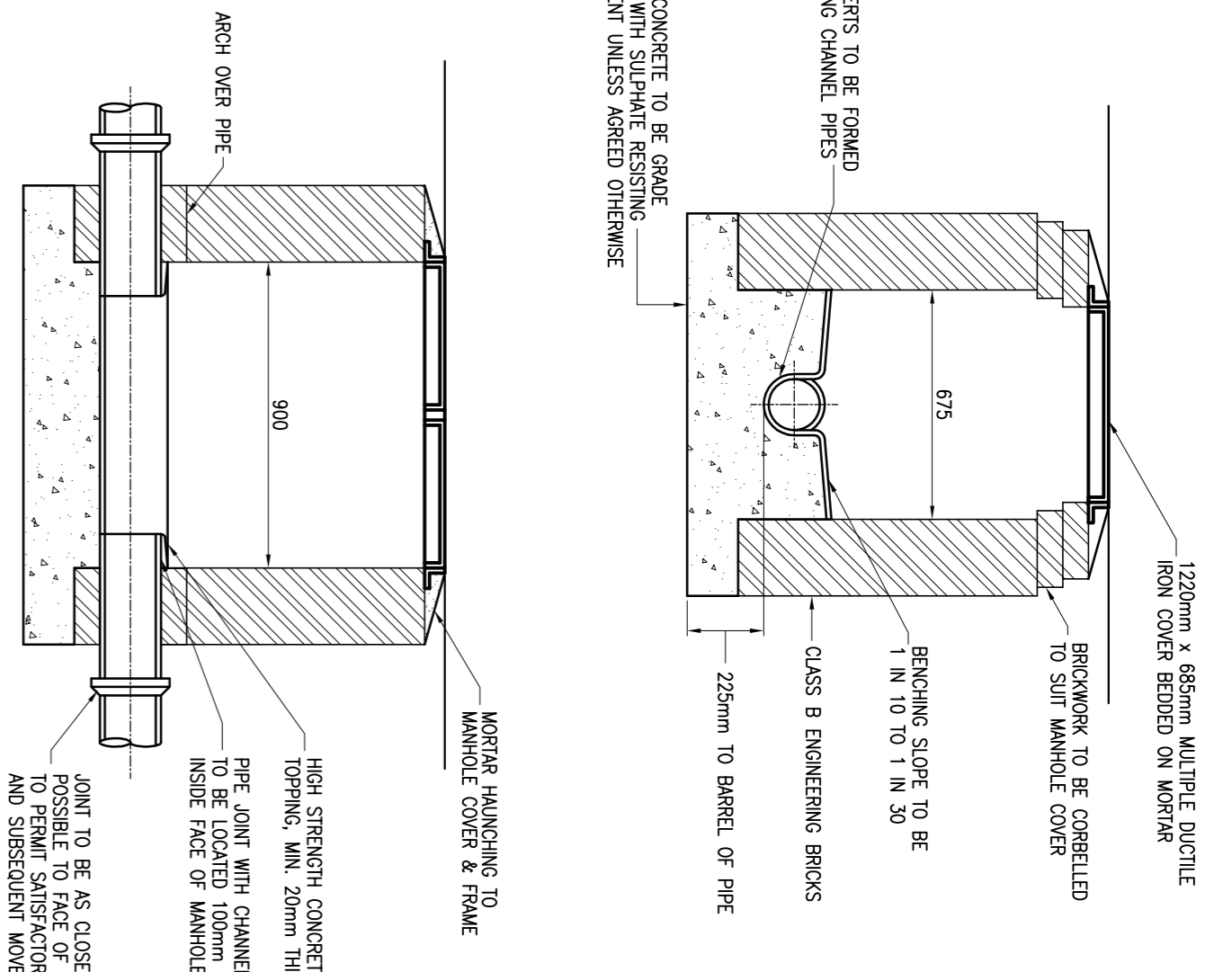


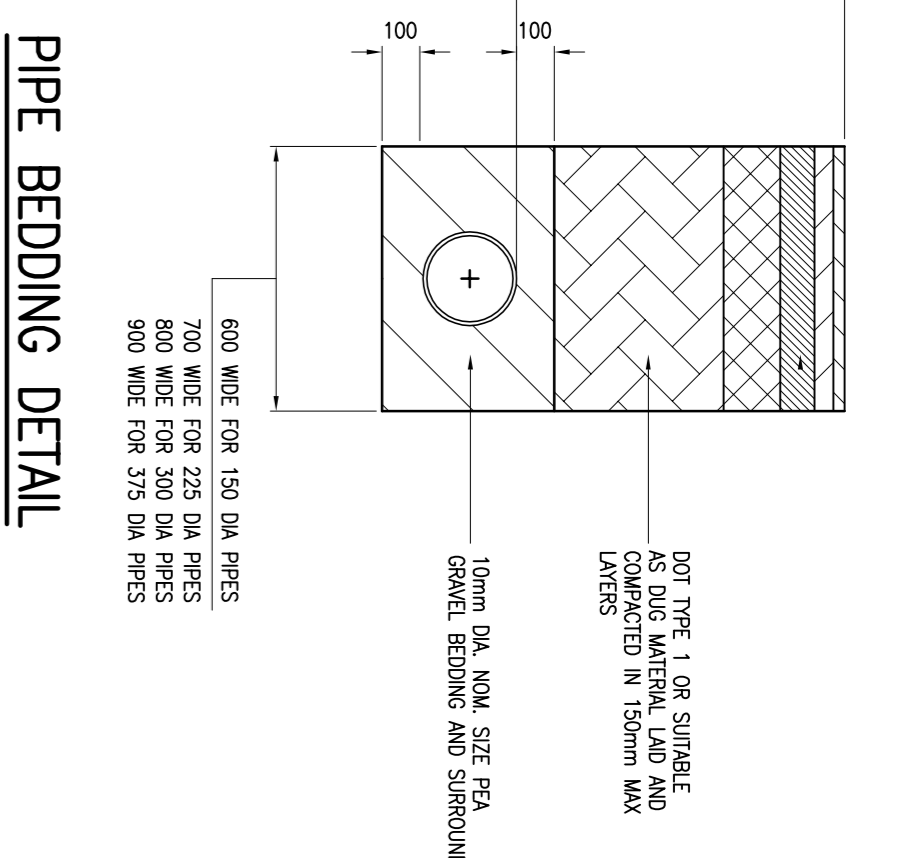
TYPICAL CONCRETE MANHOLE DETAIL



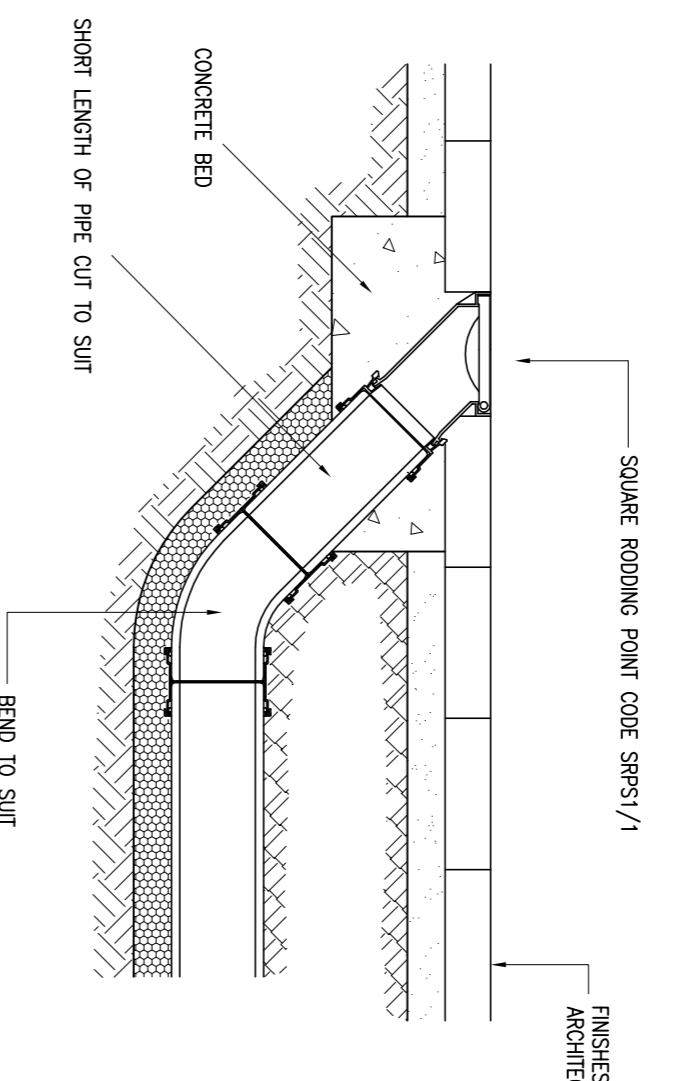
MANHOLE SW3 WITH 300 DEEP SUMP



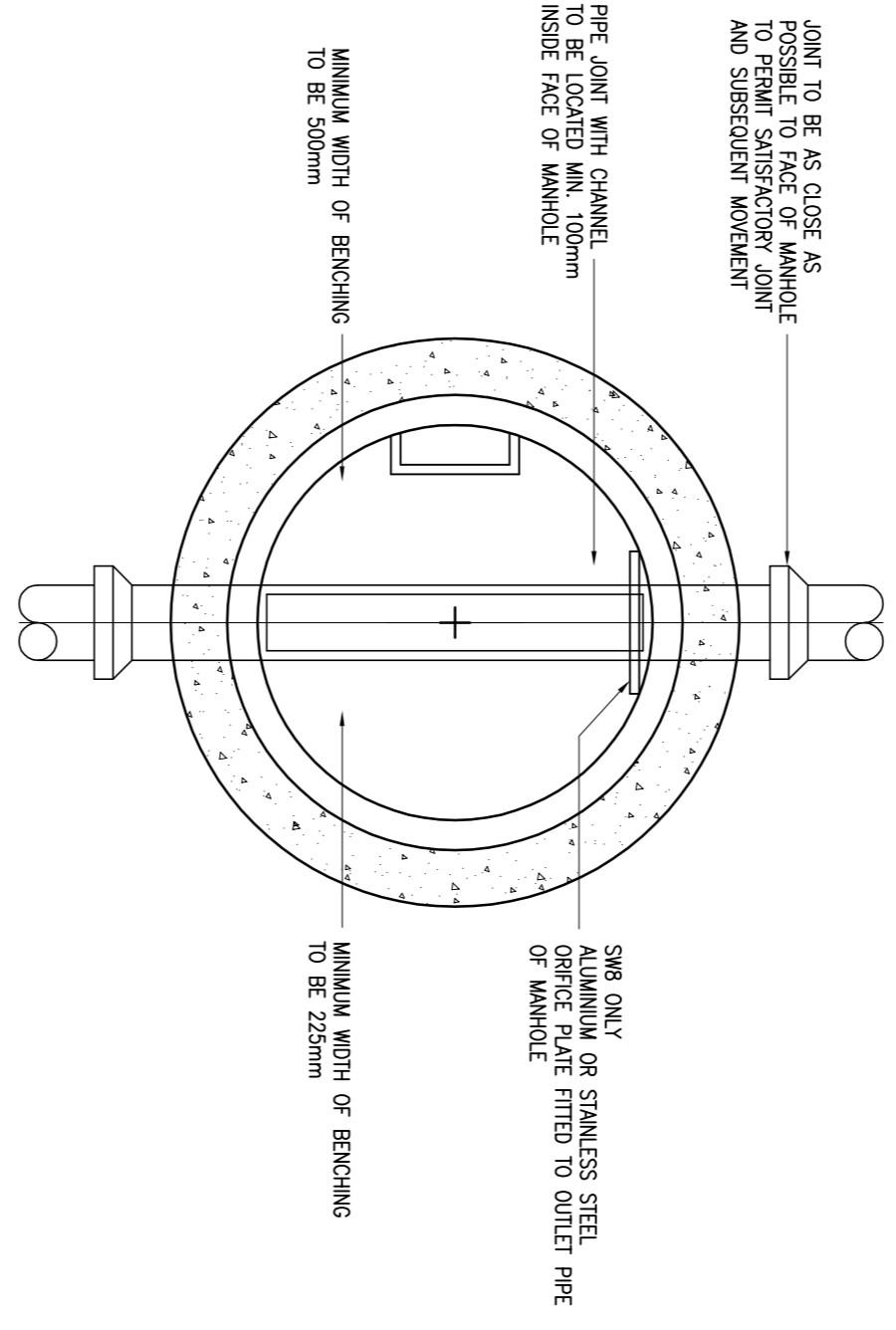
BRICKWORK MANHOLE CONSTRUCTION DETAIL



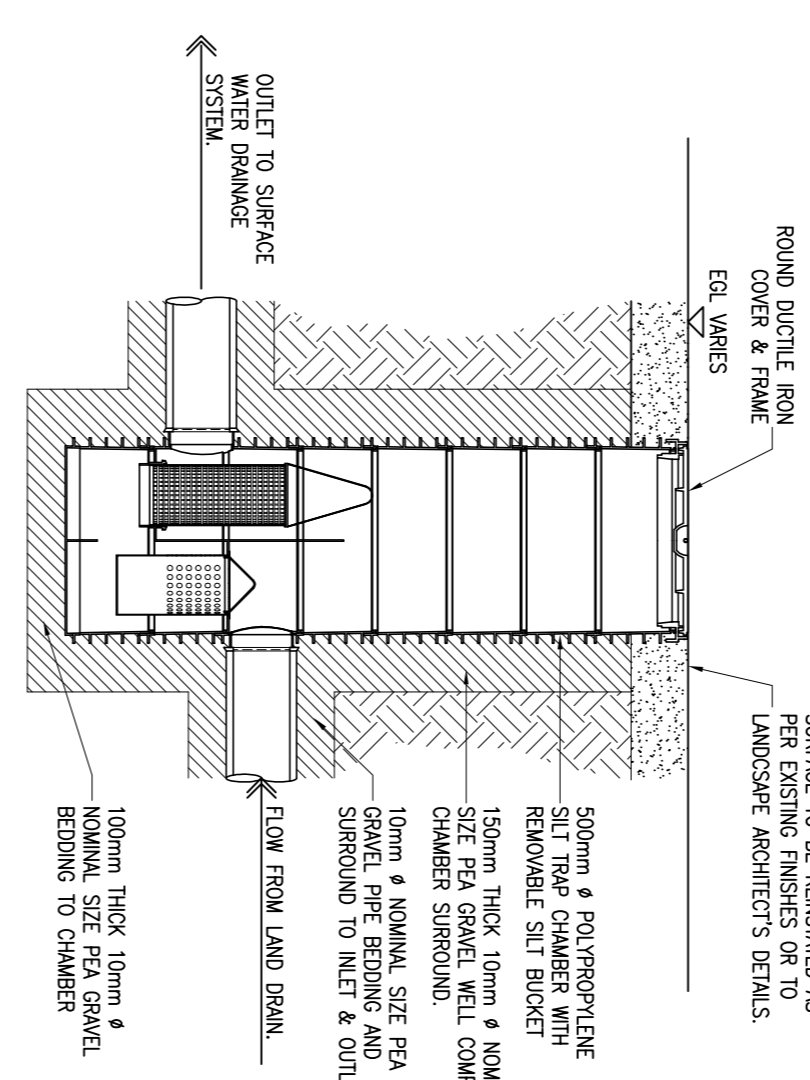
PIPE BEDDING DETAIL



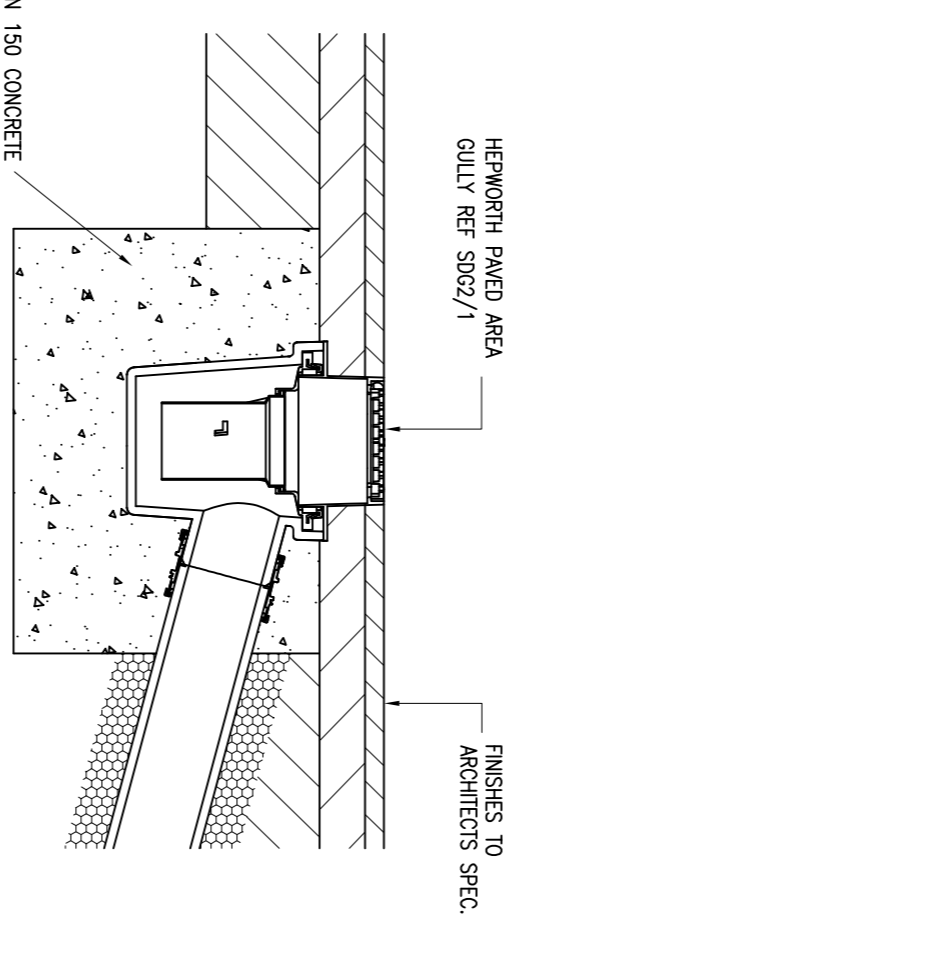
RODDING POINT DETAIL



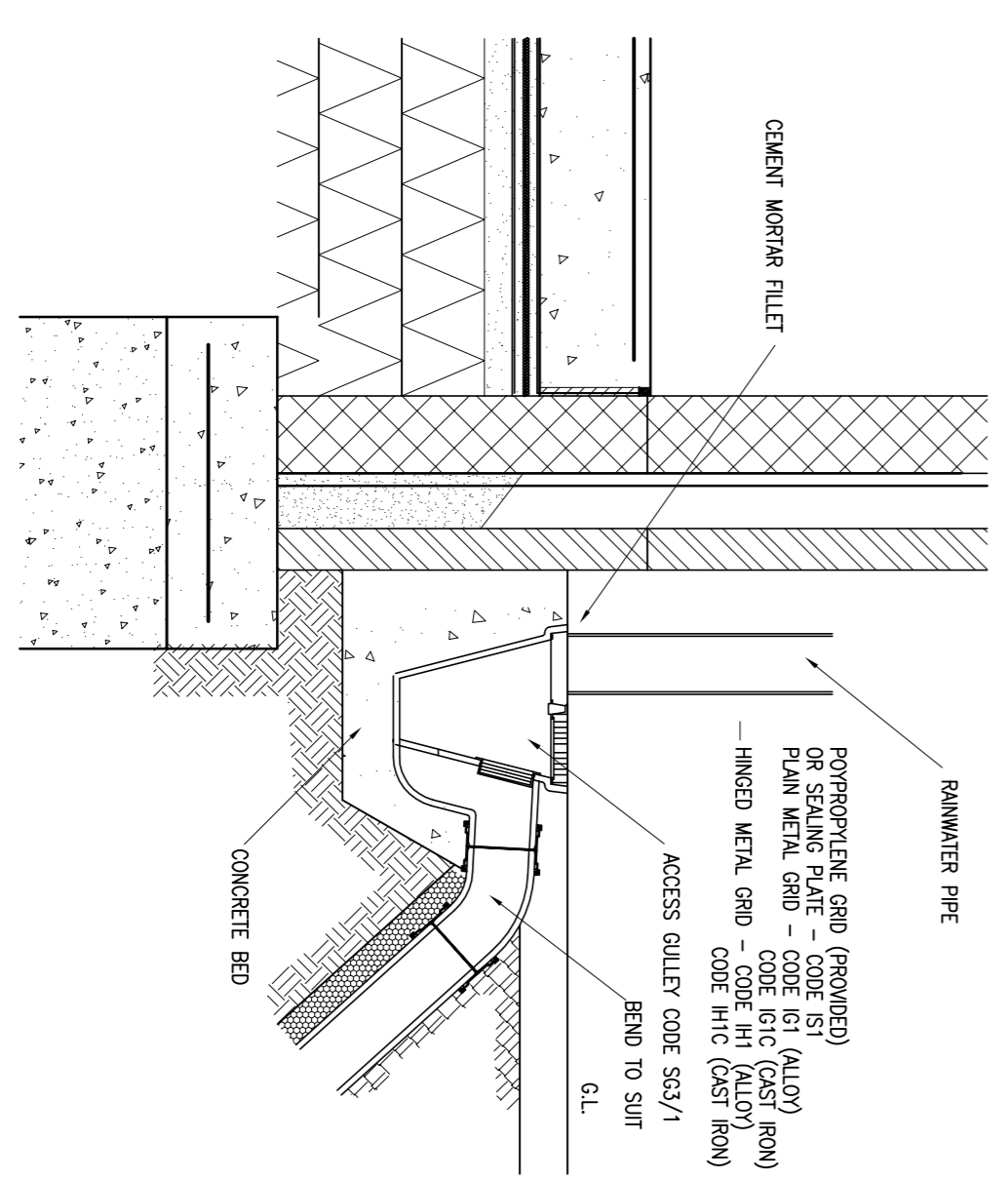
TYPICAL CONCRETE MANHOLE PLAN



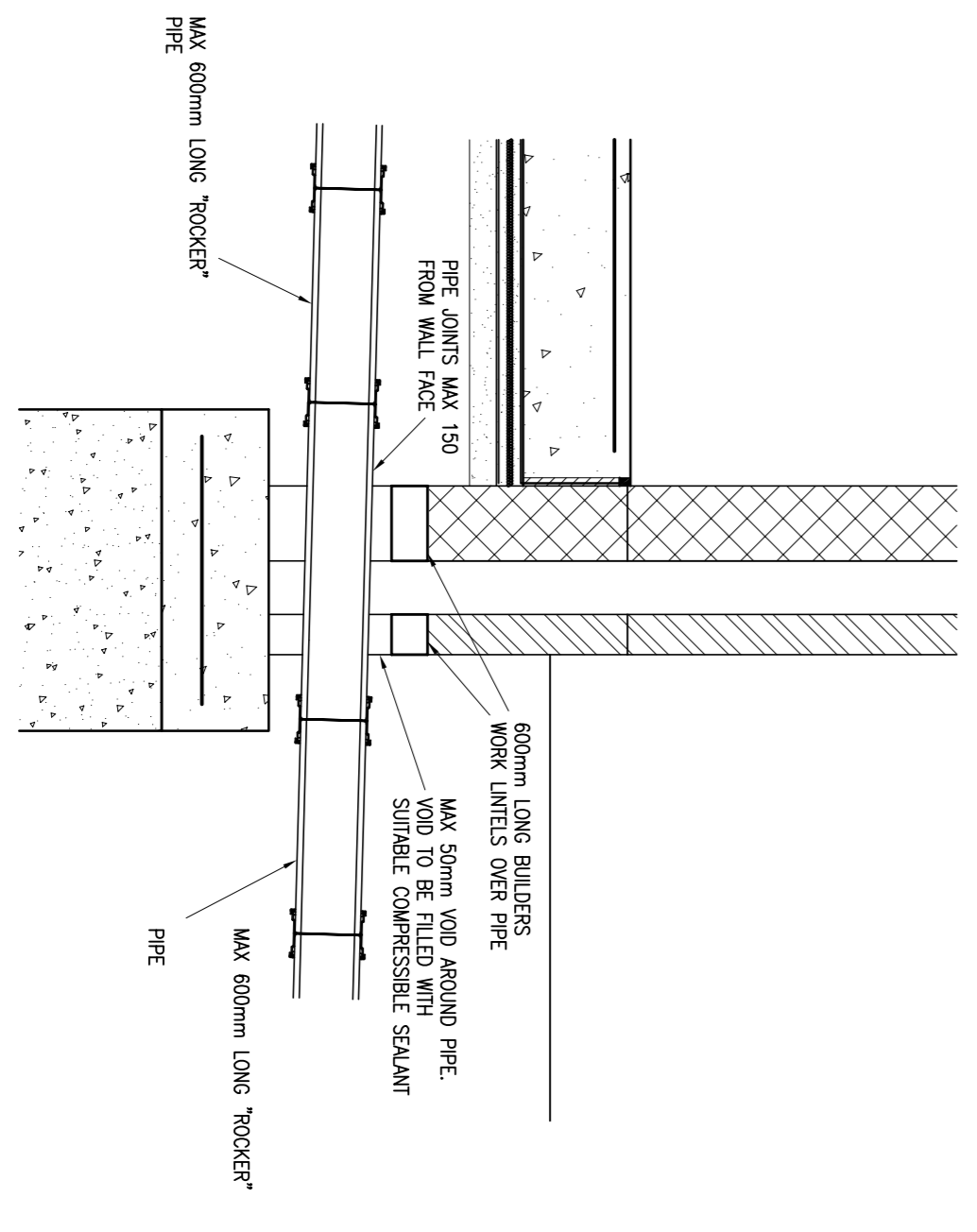
REMOVABLE BUCKET SLIT TRAP DETAIL (SCALE 1:20)



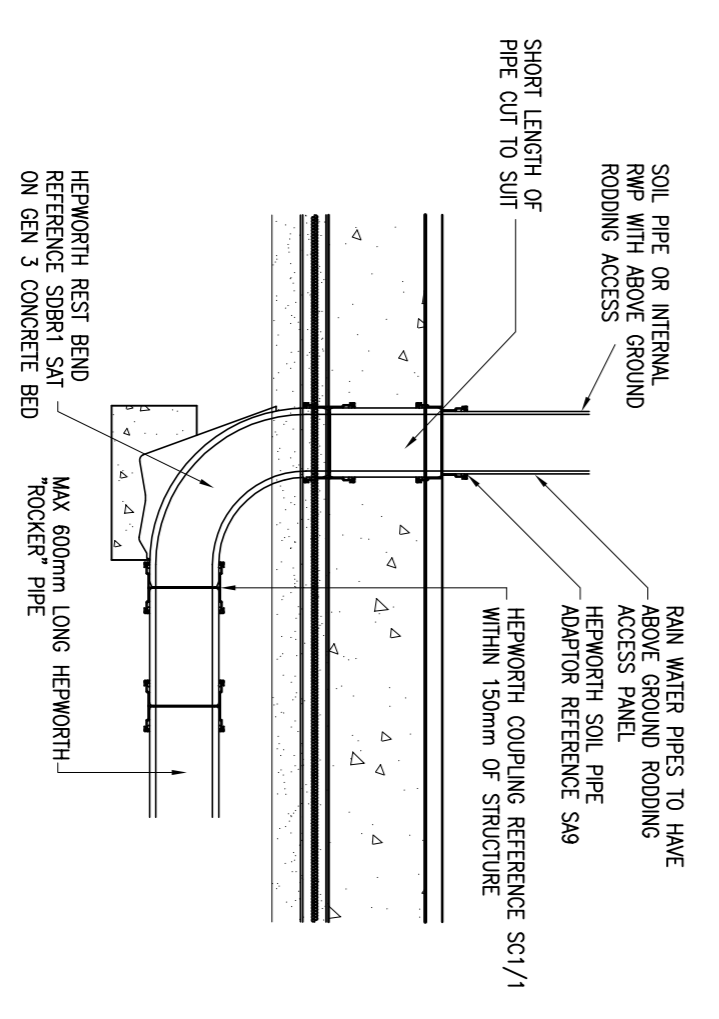
EXTERNAL PAVED AREA GULLY DETAIL



EXTERNAL RWP/BACK INLET GULLY DETAIL



PIPE THROUGH WALL DETAIL



INTERNAL RAIN WATER PIPE DETAIL

- GENERAL NOTES**
1. THIS DRAWING SHALL BE READ IN CONJUNCTION WITH ALL RELEVANT ARCHITECTURAL, STRUCTURAL, MECHANICAL & ELECTRICAL DRAWINGS TOGETHER WITH THE PROJECT SPECIFICATION.
  2. ALL LEVELS ARE RELATIVE TO ORDNANCE DATUM.
  3. DRAINAGE DESIGN AND CONSTRUCTION TO BE IN ACCORDANCE WITH: BUILDING REGULATIONS APPROVED DOCUMENT H, BS EN 12256 - GRAVITY DRAINAGE SYSTEMS INSIDE BUILDINGS, BS EN 1228 - DRAIN AND SEWER SYSTEMS OUTSIDE BUILDINGS, BS EN 1831 - CONSTRUCTION AND TESTING OF DRAIN AND SEWERS.
  4. ALL EXISTING DRAINAGE DETAILS, CONNECTIONS AND LEVELS ARE TO BE CHECKED AND CONFIRMED BY THE CONTRACTOR. ANY DISCREPANCY TO BE NOTED IN THE CONTRACT PROGRAMME.
  5. ALL PROPOSED DRAINAGE DETAILS ARE TO BE CONSTRUCTED TO THE COMPLETE SATISFACTION OF THE PROJECT'S BUILDING CONTROL OFFICER.
  6. REFER TO SLEATER & WATSON LLP DRAWING NUMBER 211/90/18 & 19 FOR DRAINAGE DETAILS.
  7. ALL ABOVE GROUND ROUL AND SURFACE WATER DRAINAGE DETAILS INCLUDING SLEATER & WATSON LLP DRAWING NUMBER 211/90/18 & 19.
  8. ALL INTERNAL BELOW GROUND DRAINAGE AND DRAINAGE IS TO BE HERNORTH WINTERED CAY PRESSURE ON SIMILAR APPROVED TO BS EN 289-1.
  9. ALL DRAINAGE IS TO BE 150mm DIAMETER UNLESS NOTED OTHERWISE.
  10. ALL MANHOLES WITHIN CARPARKS ARE TO HAVE HEAVY DUTY CLASS M400 MANHOLE COVERS.
  11. ALL DRAINAGE UNDER FOOTPRINT OF BUILDING TO BE ENCASED IN 150mm CONCRETE SURROUND.
  12. ALL DRAINAGE INSTALLATIONS SHALL BE AB TESTED IN ACCORDANCE WITH BS EN 1610 IN THE PRESENCE OF THE BUILDING CONTROL OFFICER OR SLEATER & WATSON LLP ENGINEER.
  13. UPON COMPLETION OF THE PROPOSED DRAINAGE WORKS, THE CONTRACTOR IS TO ARRANGE FOR ALL SYSTEMS, INCLUDING INTERFACES WITH EXISTING DRAINAGE PIPES AND MANHOLES, TO BE COMPLETED AND A REPORT PROVIDED TO SLEATER & WATSON LLP.
  14. ALL DRAINAGE WITHIN TYPED AREAS WITH LESS THAN 1.2 METRES OF COVER TO BE ENCASED IN 150mm CONCRETE SURROUND.
  15. ALL INTERNAL DRAINAGE TO BE HERNORTH WINTERED CAY DRAINAGE OR SIMILAR APPROVED.
  16. ALL EXTERNAL DRAINAGE TO BE HERNORTH WINTERED CAY DRAINAGE OR SIMILAR APPROVED.
  17. ALL EXTERNAL DRAINAGE THROUGH CHAMBER OR ABOVE TO BE MILTON PRECAST CONCRETE PREWORK OR SIMILAR APPROVED.

TYPICAL ACO DRAIN DETAIL

TENDER ISSUE

Rev	Amendments	Date	Ints
B	REFERENCE TO M1500 DRAINAGE CHANNEL OMITTED FROM ACO DRAIN DETAIL	10/07/12	MB
A	ISSUED FOR TENDER PURPOSES	11/07/12	MB

**Sleater & Watson LLP**  
 Consulting Civil & Structural Engineers  
 26 West Cliff  
 Loughborough, PR1 3HU  
 Tel: 01772 821044  
 Fax: 01772 556919  
 Email: ctdrn@slederwatson.co.uk  
 Website: www.sleaterwatson.co.uk

Project  
 CLITHEROE ROYAL  
 GRAMMAR SCHOOL  
 PROPOSED SPORTS  
 HALL FACILITY

Drawing Title  
 ENLARGED DRAINAGE  
 DETAILS  
 SHEET 1

Dwgn	MB	Checked
Date	JULY 2012	Scale 1:20 1:10
Drawing No.	211/90/20	Rev. B