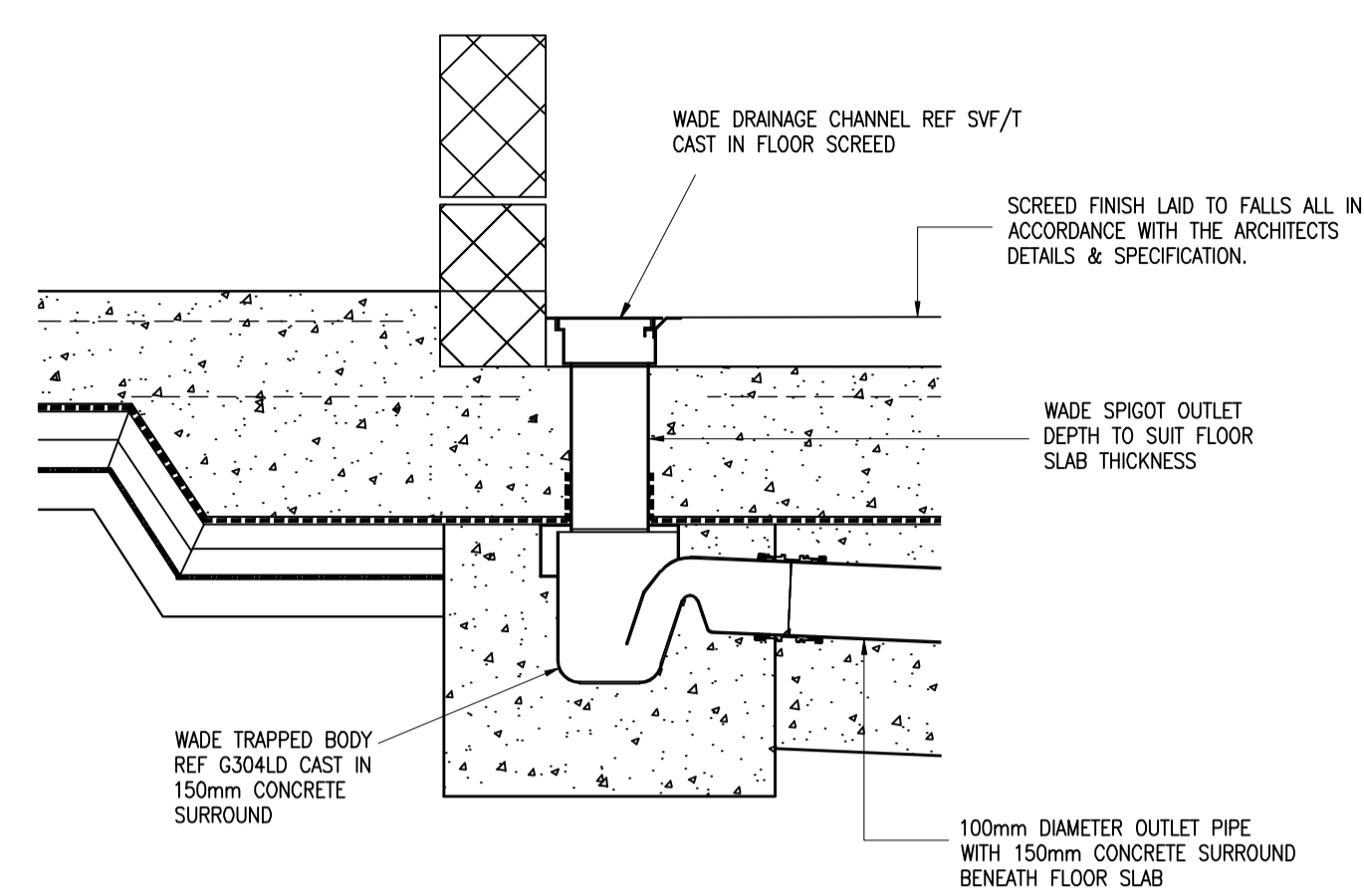
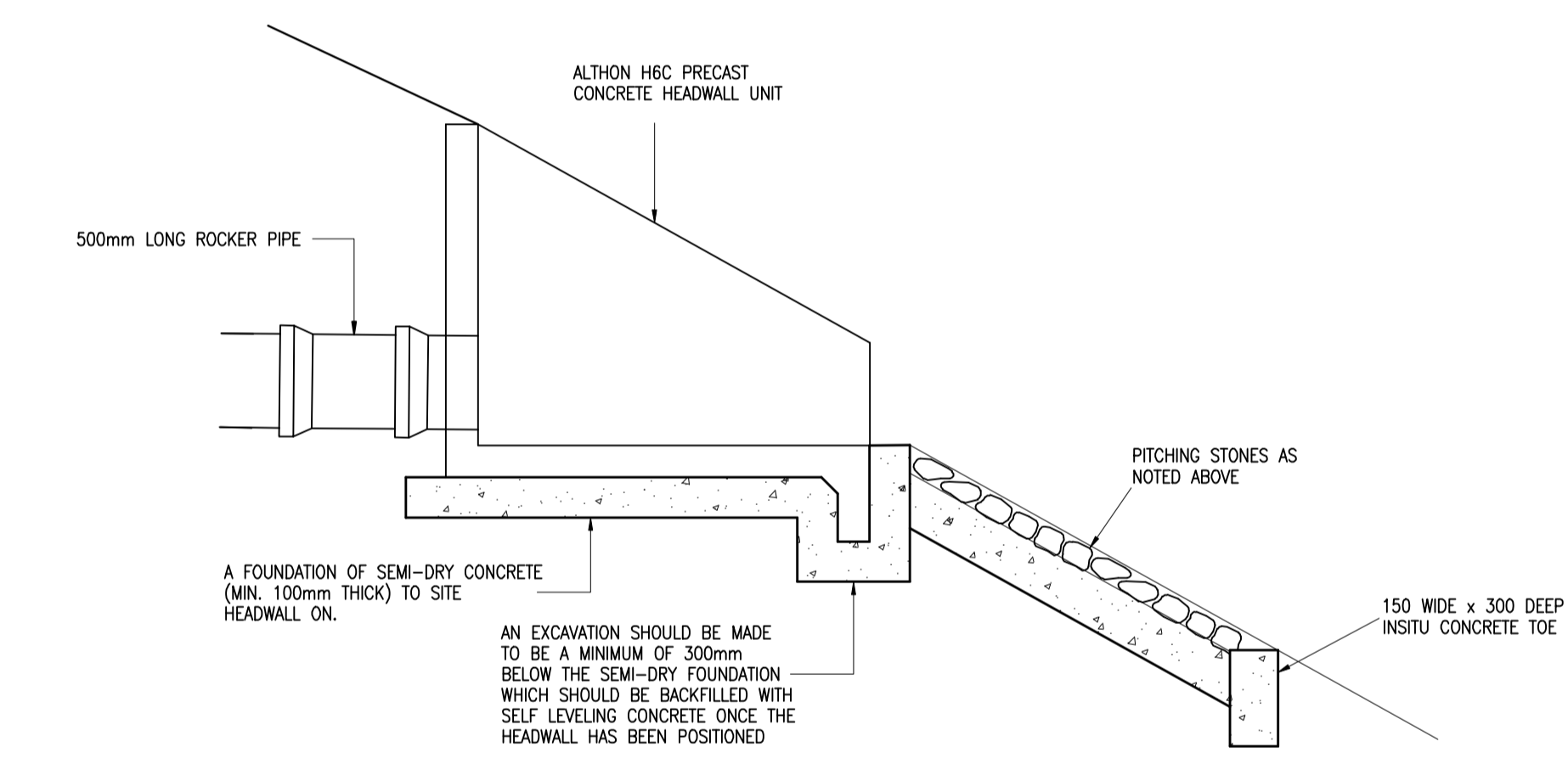


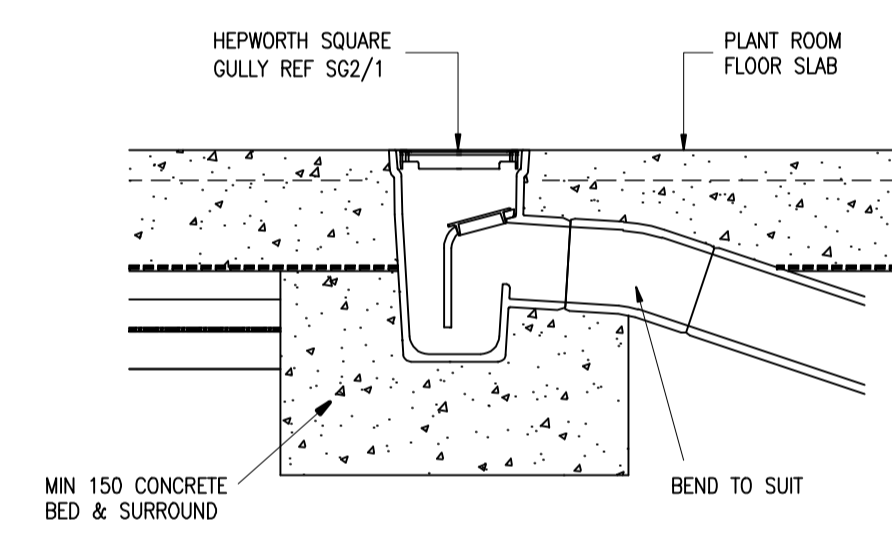
PLAN ON ALTHON H6C HEADWALL UNIT



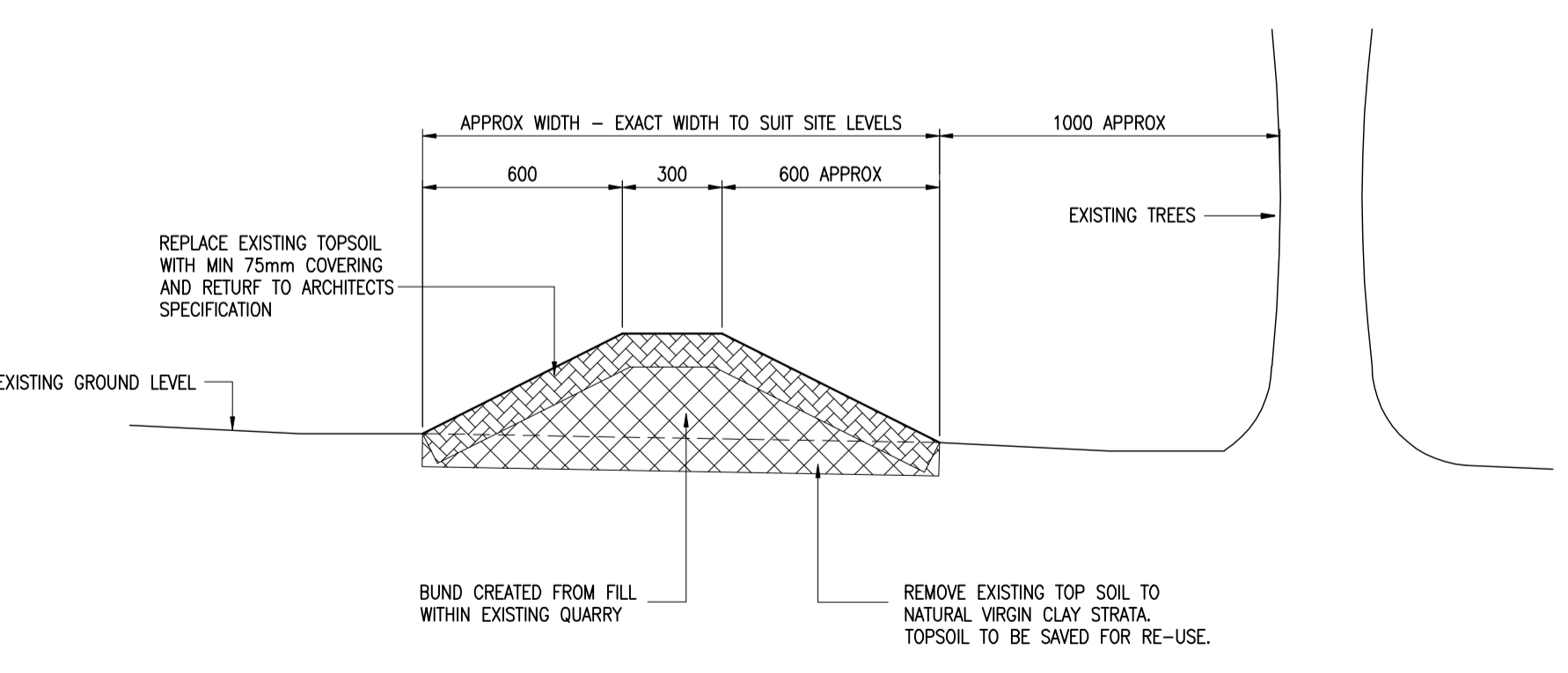
WAED INTERNAL DRAINAGE CHANNEL DETAIL



SECTION THROUGH ALTHON H6C HEADWALL UNIT

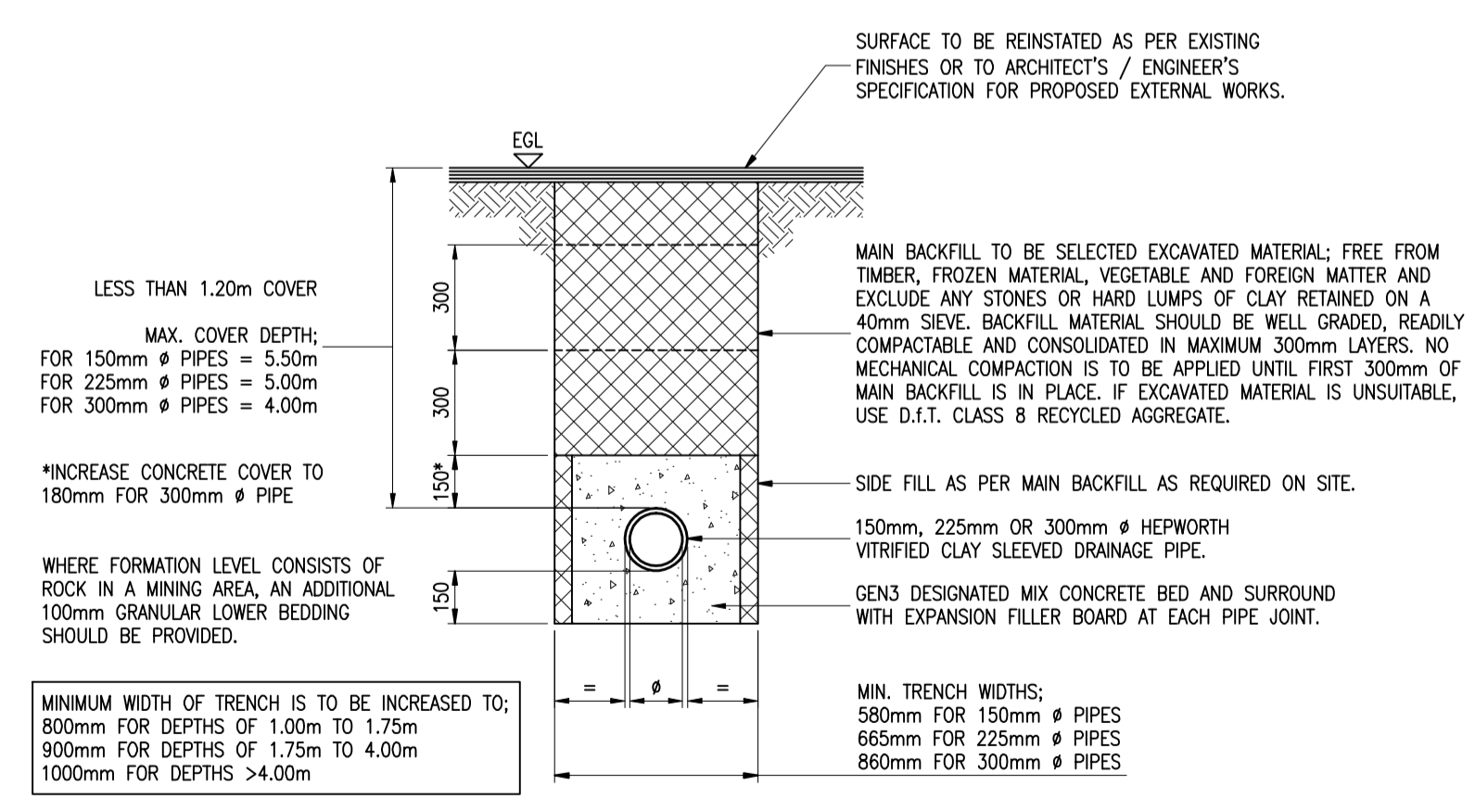


PLANT ROOM FLOOR GULLY DETAIL



SECTION A-A

REFER TO DRAWING 211/90/18 FOR LOCATION



PIPE TRENCH & BEDDING DETAIL FOR AREAS WITH LESS THAN 1.20m COVER DEPTH TO PIPE BEDDING FACTOR 4.5 (SCALE 1:20)

GENERAL NOTES

- THIS DRAWING SHALL BE READ IN CONJUNCTION WITH ALL RELEVANT ARCHITECTURAL, STRUCTURAL, MECHANICAL & ELECTRICAL DRAWINGS TOGETHER WITH THE PROJECT SPECIFICATION.
- ALL LEVELS ARE RELATIVE TO ORDNANCE DATUM.
- DRAINAGE DESIGN AND CONSTRUCTION TO BE IN ACCORDANCE WITH BUILDING REGULATIONS APPROVED DOCUMENT H, BS EN 12056 - GRAVITY DRAINAGE SYSTEMS INSIDE BUILDINGS, BS EN 752 - DRAIN AND SEWER SYSTEMS OUTSIDE BUILDINGS, BS EN 1610 - CONSTRUCTION AND TESTING OF DRAINS AND SEWERS.
- ALL EXISTING DRAINAGE DETAILS, CONNECTIONS AND LEVELS ARE TO BE CHECKED ON SITE AND CONFIRMED TO BE ACCURATE BY THE CONTRACTOR PRIOR TO COMMENCEMENT OF ANY WORKS OR DURING WEEK ONE OF THE CONTRACT PROGRAMME.
- ALL PROPOSED DRAINAGE DETAILS ARE TO BE CONSTRUCTED TO THE COMPLETE SATISFACTION OF THE PROJECT'S BUILDING CONTROL OFFICER.
- REFER TO SLEATER & WATSON LLP DRAWING NUMBER 211/90/18 & 19 FOR DRAINAGE LAYOUTS.
- ALL ABOVE GROUND FOUL AND SURFACE WATER DRAINAGE DETAILS, INCLUDING SETTING-OUT DIMENSIONS TO SOIL PIPES, SOIL & VENT PIPES AND RAINWATER PIPES, ARE TO ARCHITECT'S / M&E ENGINEER'S DETAILS AND SPECIFICATION.
- ALL INTERNAL BELOW GROUND DRAINAGE AND EXTERNAL DRAINAGE IS TO BE HEPWORTH VITRIFIED CLAY PIPEWORK OR SIMILAR APPROVED TO BS EN 295-1.
- ALL DRAINAGE IS TO BE 150mm DIAMETER UNLESS NOTED OTHERWISE.
- ALL MANHOLES WITHIN CARRIAGEWAYS ARE TO HAVE HEAVY DUTY CLASS D400 MANHOLE COVERS.
- ALL DRAINAGE UNDER FOOTPRINT OF BUILDING TO BE ENCASED IN 150mm CONCRETE SURROUND.
- ALL DRAINAGE INSTALLATIONS SHALL BE AIR TESTED IN ACCORDANCE WITH BS EN 1610 IN THE PRESENCE OF THE BUILDING CONTROL OFFICER OR SLEATER & WATSON LLP ENGINEER.
- UPON COMPLETION OF THE PROPOSED DRAINAGE WORKS, THE CONTRACTOR IS TO ARRANGE FOR ALL SYSTEMS, INCLUDING INTERFACES WITH EXISTING DRAINAGE PIPES AND MANHOLES, TO BE CCTV SURVEYED AND A REPORT PROVIDED TO SLEATER & WATSON LLP.
- ALL DRAINAGE WITHIN TRAFFICKED AREAS WITH LESS THAN 1.2 METRES OF COVER TO BE ENCASED IN 150mm CONCRETE SURROUND.
- ALL INTERNAL DRAINAGE TO BE HEPWORTH VITRIFIED CLAY DRAINAGE OR SIMILAR APPROVED
- ALL EXTERNAL DRAINAGE TO BE HEPWORTH VITRIFIED CLAY DRAINAGE OR SIMILAR APPROVED
- ALL EXTERNAL DRAINAGE, 300mm DIAMETER OR ABOVE TO BE MILTON PRECAST CONCRETE PIPEWORK OR SIMILAR APPROVED

TENDER ISSUE

Rev	Amendments	Date	Ints
B	PIPE BEDDING DETAIL ADDED	11.07.13	AC
A	ISSUED FOR TENDER PURPOSES	11.07.12	MB

Sleater & Watson LLP
 Consulting Civil & Structural Engineers
 26 West Cliff
 Preston
 Lancashire PR1 8HU
 Tel: 01772 821044
 Fax: 01772 556919
 Email: admin@sleaterwatson.co.uk
 Website: www.sleaterwatson.co.uk

Project
CLITHEROE ROYAL GRAMMAR SCHOOL PROPOSED SPORTS HALL FACILITY

Drawing Title
ENLARGED DRAINAGE DETAILS SHEET 2

Drawn	MB	Checked
Date	JULY 2012	Scale 1:20 1:10

Drawing No. **211/90/21** Rev. **B**