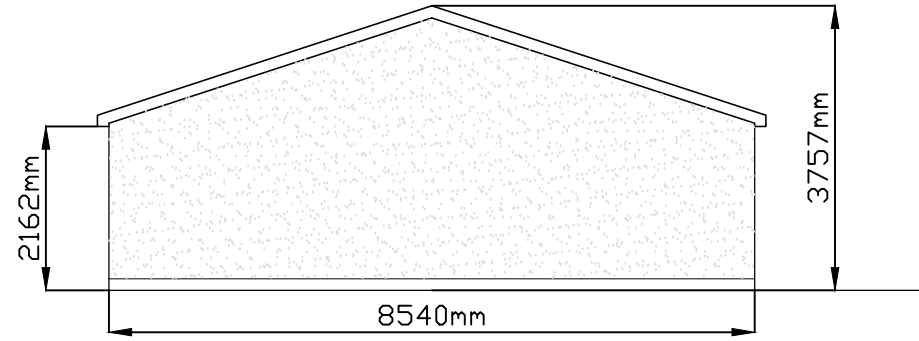
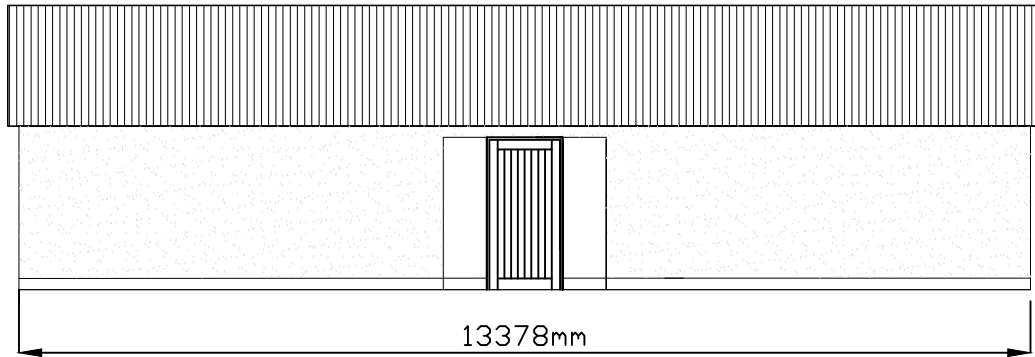


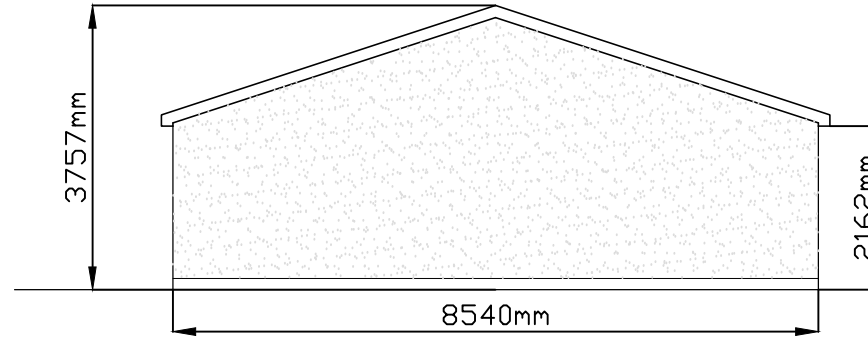
**South Rear
Elevation**



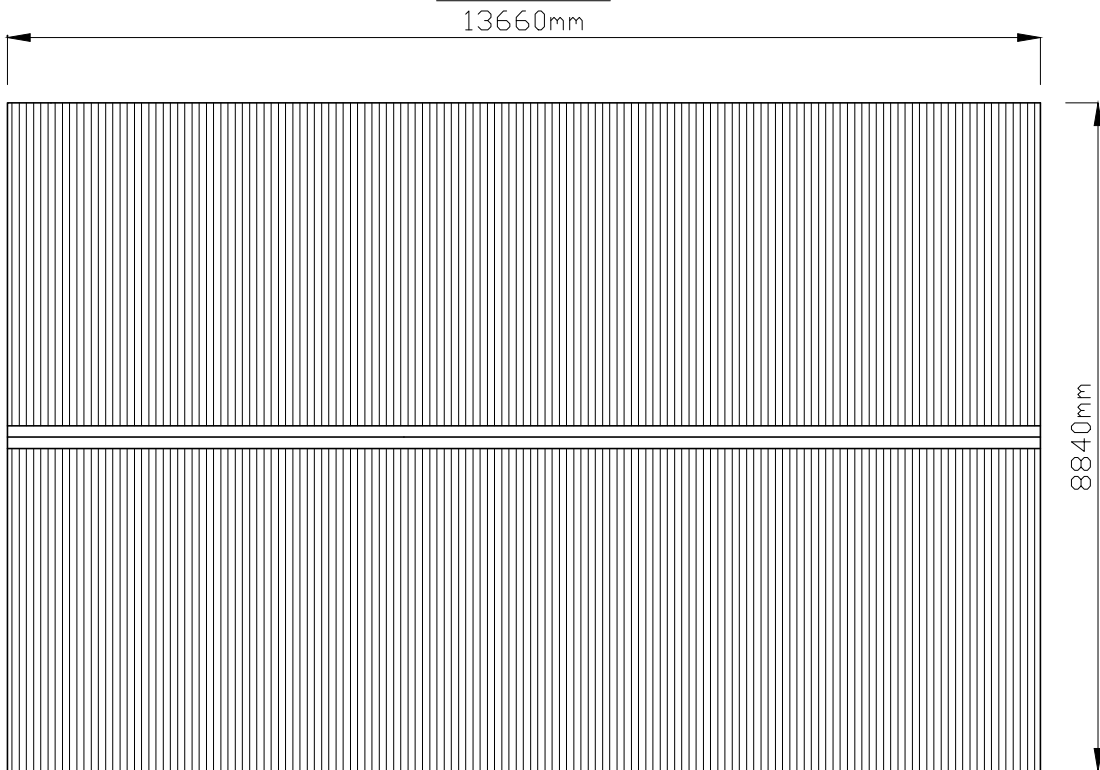
**West Side
Elevation**



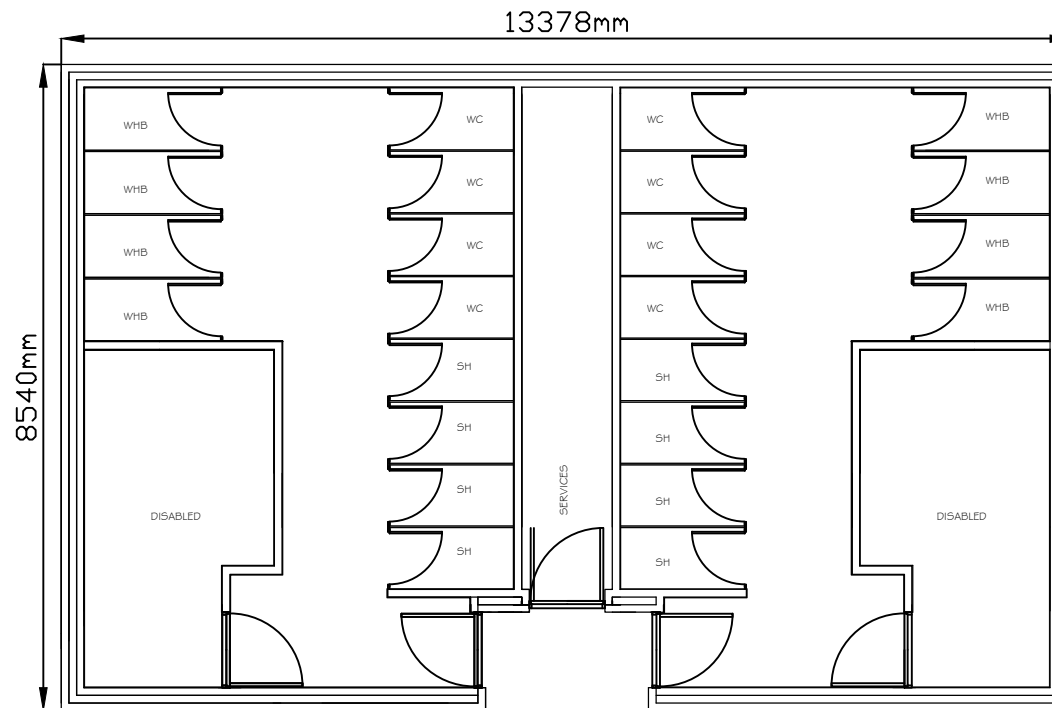
**North Front
Elevation**



**East Side
Elevation**



Roof Plan



Internal Layout

**Waddow Hall
Clitheroe
Lancs
BB7 3LD**

PROPOSED SHOWER / WC FACILITY
Elevations, Roof Plan, Site Plan

Details

Single Storey facility to provide toilet, washing and showering facilities for camping areas within Waddow Hall Guide camp.
 Roof: Insulated corrugated plastic coated sheet roofing, Colour Green .
 Fascias and soffits: Metal profile, PVC coated, Colour Green
 RWG's: Metal profile, Colour Green
 Doors: Framed Ledged and braced stained SW timber
 Walls: Smooth cast render to all Elevations, engineering brick course below DPC.

Rain water drainage to soakaway system

Foul drainage to septic tank

TITLE EXISTING ELEVATIONS
 SITE PLAN, ROOF PLAN
 DRAWING NR Waddow/DJB/ 14 / 01
 SCALE 1:100
 DATE 31 January 2014