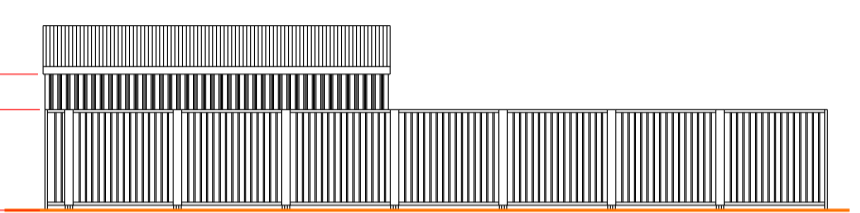
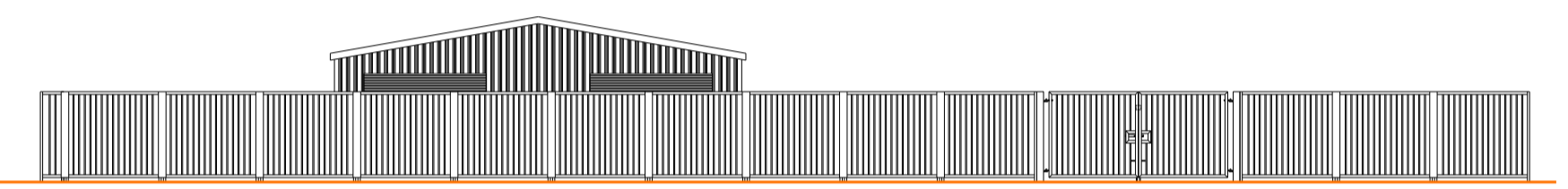


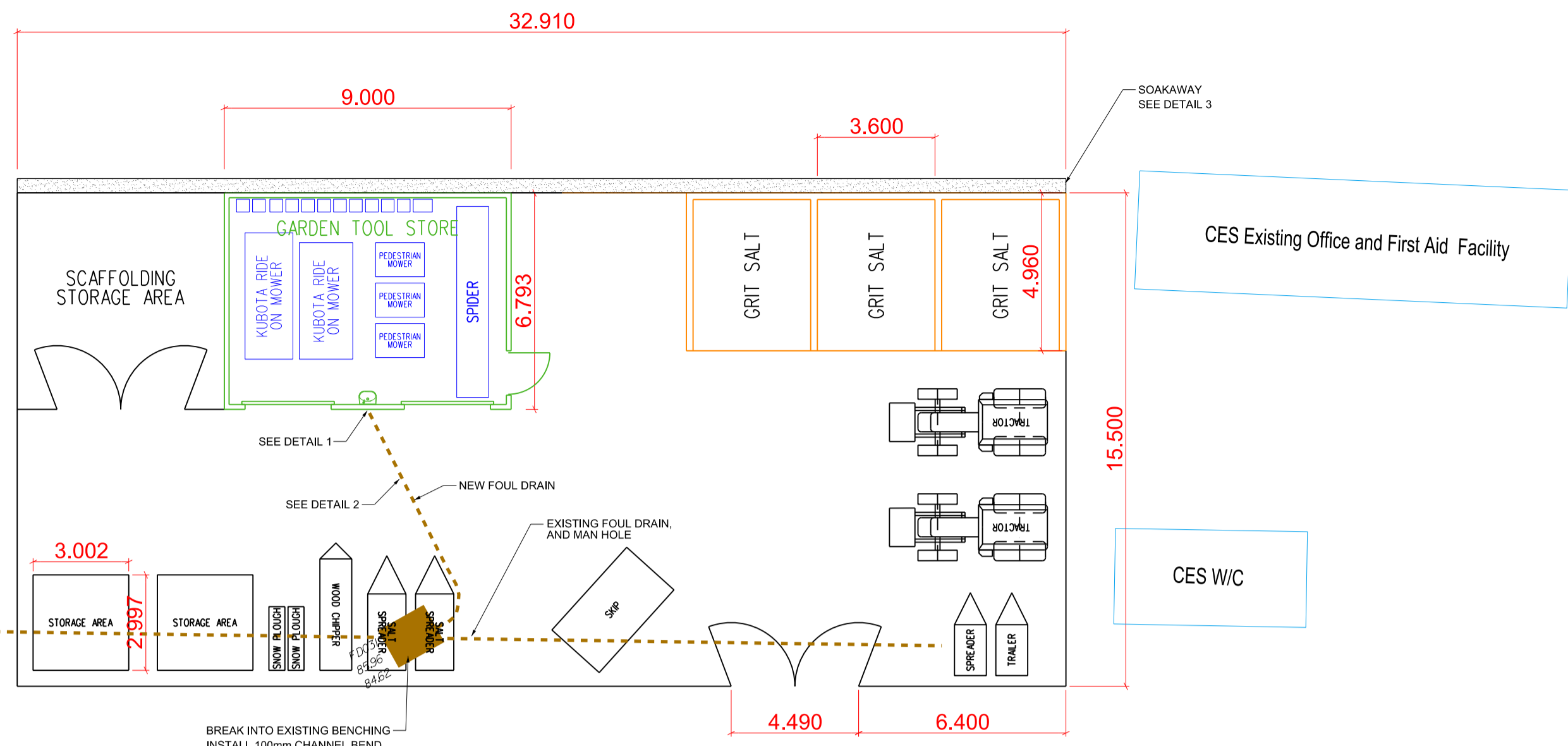
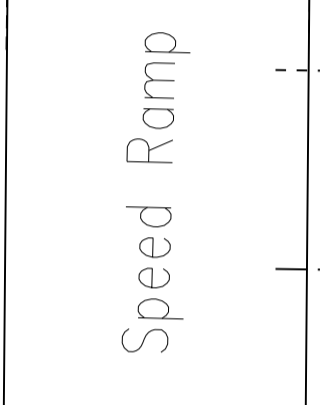
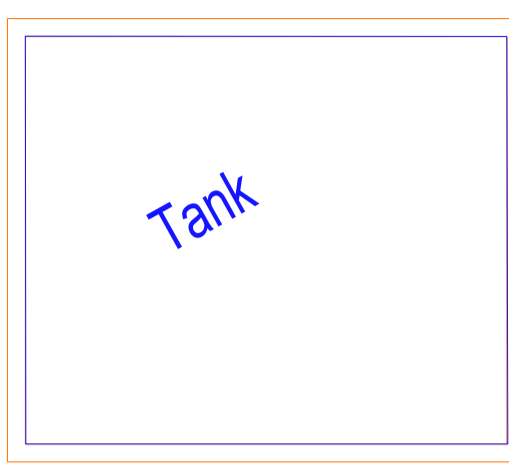
REAR VIEW (WEST FACE)



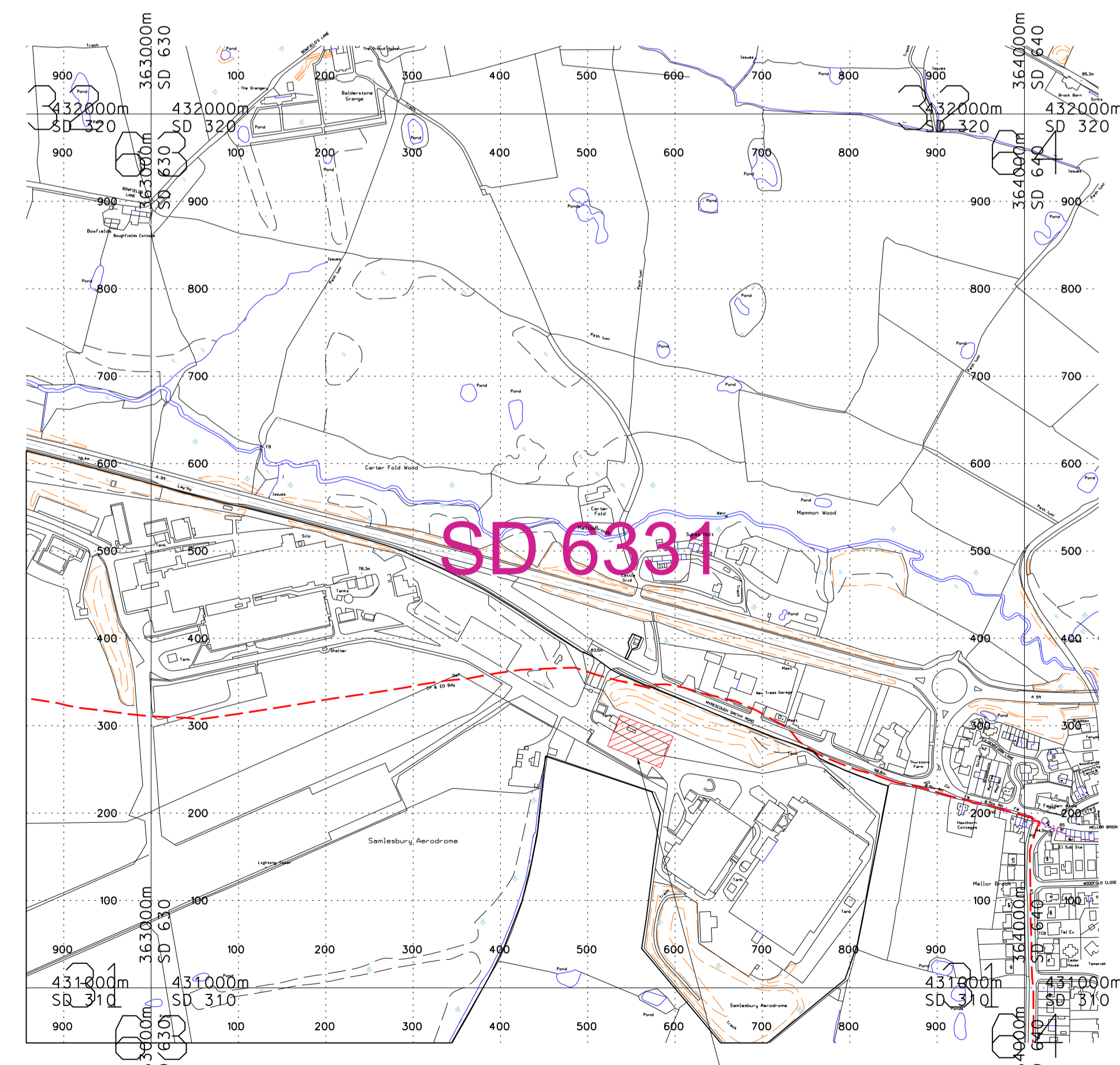
SIDE VIEW (SOUTH FACE)



FRONT VIEW (EAST FACE)



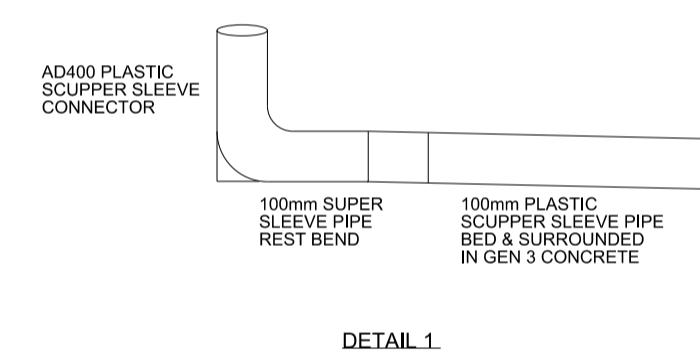
PLAN VIEW



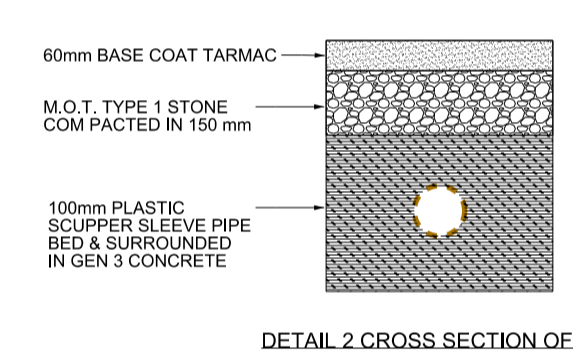
AREA ON OS MAP N.T.S.



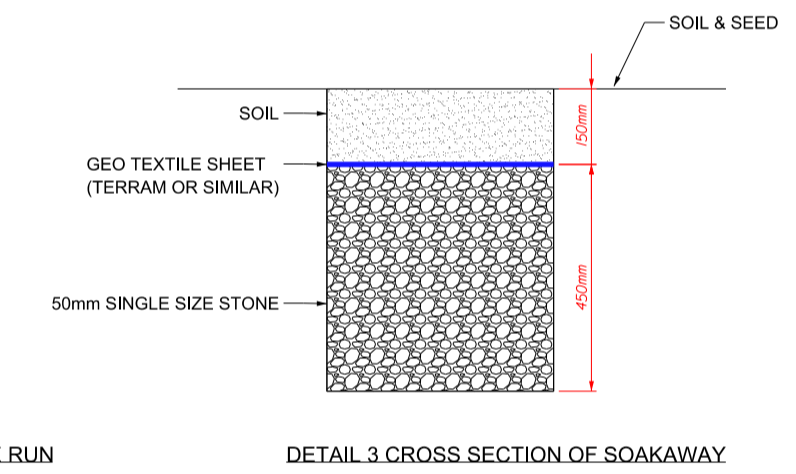
AREA ON SITE N.T.S.



DETAIL 1



DETAIL 2 CROSS SECTION OF DRAIN PIPE RUN



DETAIL 3 CROSS SECTION OF SOAKAWAY

T.Clarke North West Ltd.  
 JUNCTION 7 BUSINESS PARK,  
 BLACKBURN ROAD,  
 CLAYTON-LE-MOORS,  
 ACCRINGTON,  
 LANCASHIRE  
 BB5 5JW  
 TEL: +44 (0)1254 397303  
 FAX: +44 (0)1254 397335  
 E-MAIL: northwest@tclarke.co.uk

**TClarke**

CLIENT:  
 Investment & Infrastructure Services  
 BAE SYSTEMS plc  
 Sarnborough Aerodrome  
 Balkerstone  
 Blackburn  
 Lancashire  
 BB2 7LF  
 Tel 01254 7 68903

**BAE SYSTEMS**

THIRD PARTY DETAILS:  
 DRAWING NO.:

PROJECT: AGREED LAYOUT FOR EMCOR COMPOUND BAE SYSTEMS SAMLESBURY  
 BAE PROJECT NO.: 1350104

TITLE: GENERAL LAYOUT

SCALE: 1:150 A1	DRAWN: S.WILSON	APPROVED: J.NELSON	DATE: 04/09/14
DRAWING NO.: TC00102-14G014-0051-3201		SHEET OF 8	
DESIGN STATUS: FOR APPROVAL			